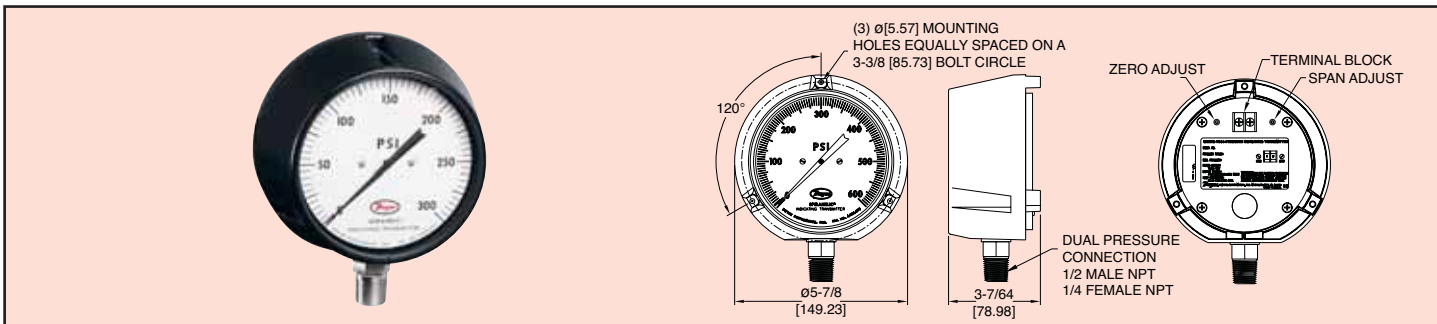




Series  
7116B

# Spirahelic® Pressure Indicating Transmitter

Large, Turret Mount, Accurate to  $\pm 0.5\%$  of Full Scale, 4-20 mA Output



The Series 7116B Spirahelic® Pressure Indicating Transmitter simultaneously provides local indication on an easily read 4-1/2" (114 mm) analog scale while also converting that pressure into a standard two wire, 4-20 mA signal. The gage employs a unique triple helix Bourdon tube for precision measurement of compatible gases and liquids accurately within  $\pm 0.5\%$  of full scale. The 316 SS connection features a convenient 1/4" female NPT internal and 1/2" male NPT external pressure connection also includes an integral filter plug to keep dirt out.

## MODELS

Model Number	Range, PSIG
7116B-G060	0 - 60
7116B-G100	0 - 100
7116B-G200	0 - 200
7116B-G600	0 - 600

Inconel® is a registered trademark of Huntington Alloys Corporation.

## SPECIFICATIONS

### GAGE SPECIFICATIONS

**Service:** Compatible gases & liquids.

**Wetted Materials:** Inconel® X-750 Alloy Bourdon tube, type 316L SS connection.

**Housing:** Black polycarbonate case and clear acrylic cover.

**Accuracy:** Grade 2A (0.5% F.S.).

**Pressure Limit:** 150% of full scale. Gage will maintain its specifications for overpressures up to 150% maximum range. Normal operation should be between 25% and 75% of full scale.

**Temperature Limits:** 20 to 120°F (-6.67 to 48.9°C).

**Size:** 4-1/2" (114.3 mm) dial face, Design conforms to ASME B40.1.

**Process Connections:** Dual size 1/2" male, 1/4" female NPT, bottom connection.

**Weight:** 29.5 oz (836.3 g).

### TRANSMITTER SPECIFICATIONS

**Accuracy:** 0.5% F.S.

**Stability:**  $\pm 1\%$  F.S./yr.

**Temperature Limits:** 20 to 120°F (-6.67 to 48.9°C).

**Thermal Effect:**  $\pm 0.025\%$  F.S./°F (0.045% F.S./°C).

**Power Requirements:** 10-35 VDC (2-wire).

**Output Signal:** 4-20 mA DC.

**Zero & Span Adjustments:** Externally accessible potentiometers.

**Loop Resistance:** DC, 0-1250 ohms.

**Current Consumption:** DC, 38 mA max.

**Electrical Connections:** Screw Terminals

**Mounting Orientation:** Vertical.

**Agency Approvals:** CE.