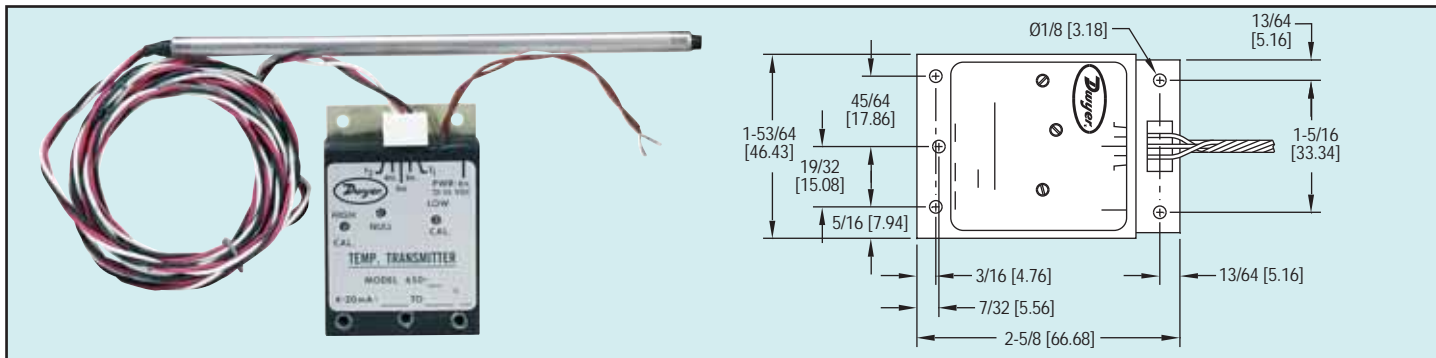




Series
650

Temperature Transmitter

4-20 mA Signal, Two Wire Operation, Temperatures from -55 to 180°C



The Series 650 Temperature Transmitter combines low cost with small size making it ideal for a wide variety of HVAC, industrial and commercial multi-point temperature monitoring applications. Non-polarized terminals simplify connection to any 12-35 VDC power supply. Capable of operation with long cable runs, Series 650 Transmitters are well suited for monitoring air or water temperatures at remote locations. Three models are stocked in popular ranges factory calibrated within 0.3% of span. All are linear within 0.25% of span and may be recalibrated within low range and span limits shown in chart. Low Range is temperature corresponding to 4 mA output. Span is temperature difference between Low and High Ranges corresponding to 4-20 mA output signal.

ACCESSORY

A-325, Duct Mounting Kit with flange, fitting and hardware

SPECIFICATIONS

Input: Silicone-junction transistor.

Output Signal: 4-20 mA DC.

Power Requirements: 12-35 volts DC.

Accuracy: $\pm 0.3\%$ F.S. @ 20°C (68°F).

Linearity: Within 0.25% of span.

Thermal Drift: Less than 0.5% of span over ambient temperature range of 0 to 50°C (32 to 122°F).

Probe Construction: 6" long, 0.25" O.D. Type 304 SS.

Temperature Limits: Ambient: 0 to 70°C (32 to 158°F).

Temperature Limits: (Probe): 204°C (400°F).

Probe Cable Length: 7 ft (2.1 m).

Voltage Stability: Output error less than 0.01% of span over the specified supply voltage range.

Model	Range As Stocked	Low Range Limits		Span Limits	
		Min.	Max.	Min	Max.
650-1	-23° to +10°C	-32°C	-14°C	24°C	48°C
650-2	-7° to +49°C	-12°C	+6°C	37°C	150°C
650-3	0° to +100°C				

Consult factory for special ranges calibrated within the limits of -55°C and +180°C