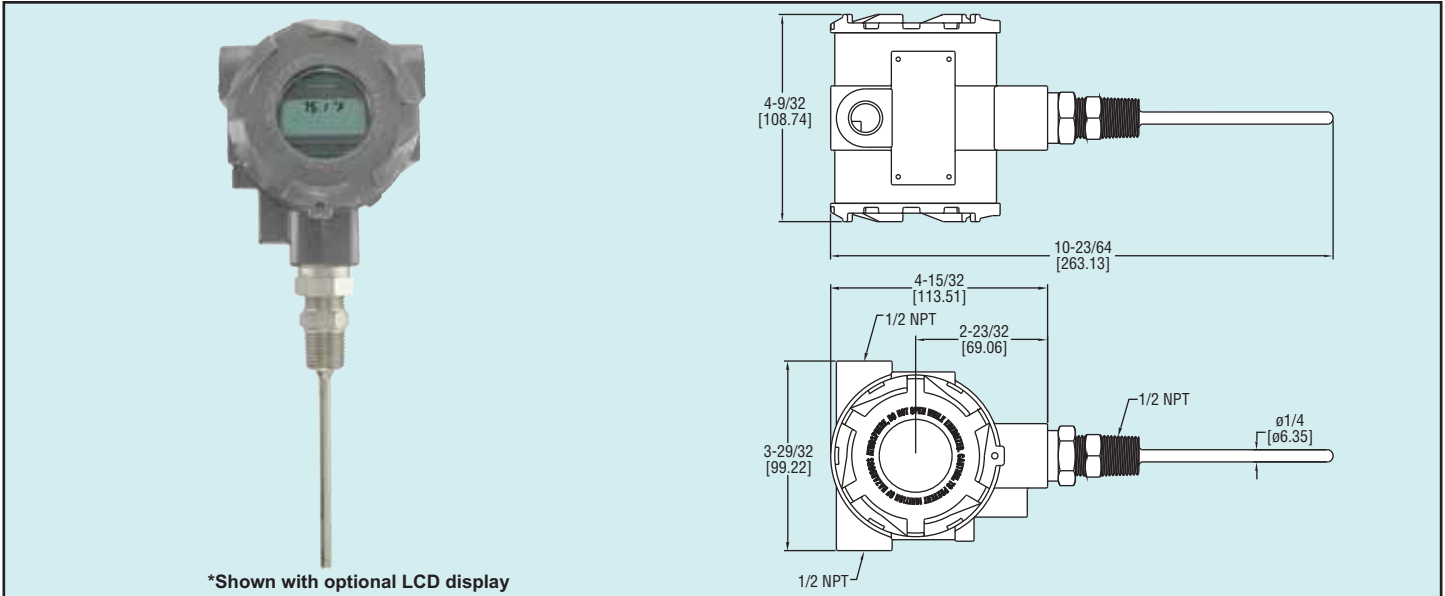




Series  
TTE

# Explosion-Proof RTD Temperature Transmitter

User Selectable Ranges, Optional LCD Display



Temperature

The Series TTE Explosion-Proof RTD Temperature Transmitter is the ideal product for hazardous temperature measurement applications. The TTE series has seven pre-programmed temperature ranges that are selectable via an internal dip switch. For those applications that need a custom range, the transmitter can be easily configured for any range between -30 to 250°F with a minimum span of 40°F. The span and zero can be quickly adjusted with a simple push button design. The compact housing allows for the transmitter to be mounted in virtually any application.

Model	Stem Length	LCD Display
TTE-104-W	4"	No
TTE-106-W	6"	No
TTE-109-W	9"	No
TTE-112-W	12"	No
TTE-115-W	15"	No
TTE-118-W	18"	No
TTE-104-W-LCD	4"	Yes
TTE-106-W-LCD	6"	Yes
TTE-109-W-LCD	9"	Yes
TTE-112-W-LCD	12"	Yes
TTE-115-W-LCD	15"	Yes
TTE-118-W-LCD	18"	Yes

Field Selectable Ranges
40 to 90°F (4.4 to 32.2 °C)
-20 to 140°F (-28.9 to 60°C)
0 to 100°F (-17.8 to 37.8°C)
30 to 240°F (-1.1 to 115.6°C)
32 to 212°F (0 to 100°C)
32 to 122°F (0 to 50°C)
-30 to 65°C (-1.1 to 18.3°C)
Custom range between -30 to 250°F (-34.4 to 121.1°C)

## SPECIFICATIONS

- Temperature Sensor:** Pt1000, 0.00385 DIN.
- Output Temperature Ranges:** User selectable – any range between -30 to 250°F with a minimum span of 40°F.
- Temperature Limits:** Ambient: 0 to 158°F (-18 to 70°C). Process: -30 to 250°F (-34.4 to 121.1°C).
- Accuracy:** Transmitter ±0.1% F.S. Probe ±0.3% F.S.
- Thermal Drift Effects:** ±0.02%/°C max.
- Response Time:** 250 ms.
- Wetted Materials:** 316 stainless steel.
- Process Connection:** 1/2" male NPT.
- Conduit Connection:** 1/2" female NPT.
- Probe Length:** 2" to 18" (depending on model).
- Pressure Limits:** 2000 PSI.
- Power Requirements:** 10 to 35 VDC.
- Output Signal:** 4-20 mA (two wire loop powered).
- Optional Display:** 2 lines X 8 character LCD.
- Enclosure Rating:** NEMA 4X (IP66) and explosion-proof for Class I, Groups B, C, D; Class II, Groups E, F, G; Class III.
- Weight:** 2 lb 8 oz (1134 g).
- Agency Approvals:** FM, CE.