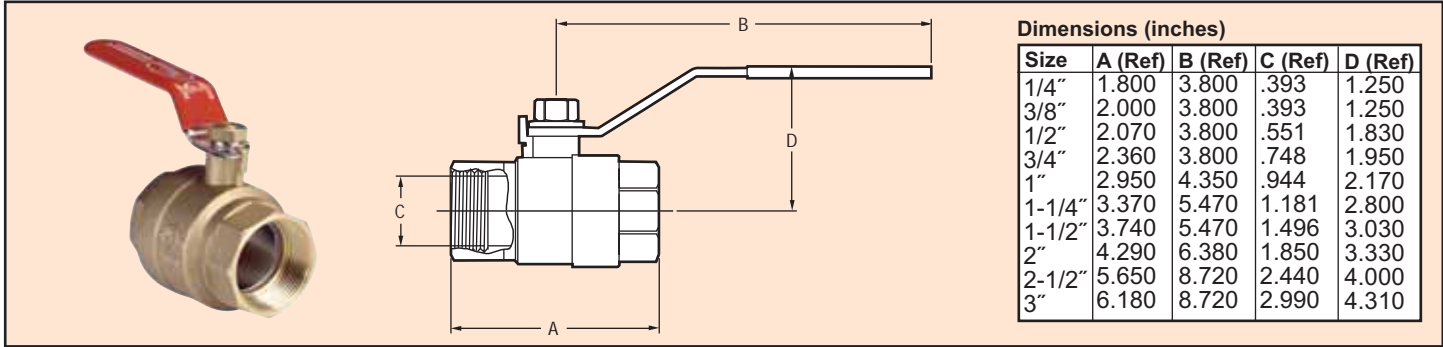




Series
BV2MB

Two-Piece Hand Lever Brass Ball Valve

Full Port, Economical, Blowout-Proof Stem



Dimensions (inches)

Size	A (Ref)	B (Ref)	C (Ref)	D (Ref)
1/4"	1.800	3.800	.393	1.250
3/8"	2.000	3.800	.393	1.250
1/2"	2.070	3.800	.551	1.830
3/4"	2.360	3.800	.748	1.950
1"	2.950	4.350	.944	2.170
1-1/4"	3.370	5.470	1.181	2.800
1-1/2"	3.740	5.470	1.496	3.030
2"	4.290	6.380	1.850	3.330
2-1/2"	5.650	8.720	2.440	4.000
3"	6.180	8.720	2.990	4.310

The Series BV2MB is an economical hand lever ball valve for commercial and general industrial use. The Series BV2MB is perfect as a manual shut off valve for hot and cold water systems. Valve body, body cap, and ball are made of quality brass. Seats and stem packing are constructed of TFE for long lasting service. Blowout-proof stem provides safety in the event of overpressure. Full port design allows for maximum Cv and minimal pressure drop.

SPECIFICATIONS

End Connections: 1/4" to 3" female NPT.

Pressure Limit: 1/4" to 1": 600 psi (41.4 bar), 1-1/4" to 2": 400 psi (27.6 bar), 2-1/2" to 3": 200 psi (13.8 bar) WOG.

Wetted Materials: Body and body cap: forged brass (ASTM B283-C37700); ball and stem: brass; seat and packing: TFE.

Temperature Limit: 10 to 200°F (-12 to 93°C).

Other Materials: Body seal: rubber; handle: plated steel; nut and gasket: brass.

Size	Model	Cv	Size	Model	Cv
1/4"	BV2MB00	7.5	1-1/4"	BV2MB05	105
3/8"	BV2MB01	7.5	1-1/2"	BV2MB06	160
1/2"	BV2MB02	16	2"	BV2MB07	325
3/4"	BV2MB03	43	2-1/2"	BV2MB08	475
1"	BV2MB04	58	3"	BV2MB09	780