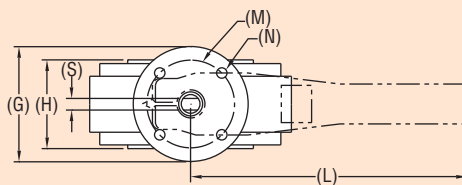
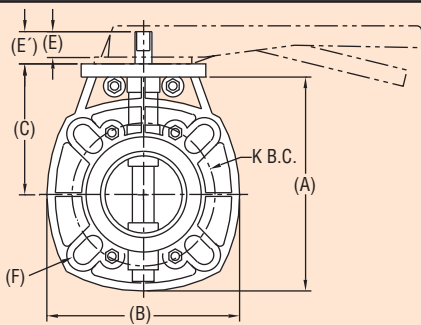




Series
PBFV

Thermoplastic Butterfly Valve

One-Piece Body, Wafer Design



Valve Size	DIM A	DIM B	DIM C	DIM E	DIM E	DIM F	DIM G	DIM H	DIM K	DIM L	DIM M	DIM N	DIM S	Holes	Weight lb (kg)
2 IN	7-57/64 [201]	6-9/64 [156]	4-23/32 [120]	1-37/64 [40]	1-3/8 [35]	23/32 [18]	4-13/32 [112]	1-57/64 [48]	4-59/64 & 5-23/32 [125-145]	8-21/32 [220]	2-3/4 [70]	23/64 [9]	13/32 [10]	4	4.5 (2.0)
3 IN	9-9/64 [232]	7-31/64 [190]	5-23/64 [136]	1-37/64 [40]	1-3/8 [35]	3/4 [19]	4-13/32 [112]	2-3/64 [52]	5-57/64 & 6-11/16 [150-170]	9-41/64 [245]	2-3/4 [70]	23/64 [9]	31/64 [12]	8	6 (2.7)
4 IN	10-3/64 [255]	8-11/64 [212]	5-53/64 [148]	1-37/64 [40]	1-3/8 [35]	3/4 [19]	4-13/32 [112]	2-21/64 [12]	7-3/32 & 7-9/16 [180-192]	9-41/64 [245]	2-3/4 [70]	23/64 [9]	5/8 [16]	8	8 (3.6)
6 IN	11-3/16 [284]	9-3/8 [238]	6-29/64 [164]	1-37/64 [40]	1-3/8 [35]	7/8 [22]	4-13/32 [112]	2-17/64 [66]	7-31/64 & 8-15/32 [190-215]	12-19/32 [320]	2-3/4 [70]	23/64 [9]	25/32 [20]	8	13.5 (6.1)
8 IN/8 IN*	12-23/64 [314]	10-7/16 [265]	7-3/32 [180]	1-37/64 [40]	1-3/8 [35]	61/64 [24]	4-13/32 [112]	2-53/64 [72]	9-29/64 [240]	12-19/32 [320]	2-3/4 [70]	23/64 [9]	25/32 [20]	8	21(9.5)/ 30(13.6)
10 IN*	14-7/8 [378]	12-19/32 [320]	8-35/64 [217]	1-31/32 [50]	1-55/64 [47]	29/32 [23]	5-11/32 [136]	2-7/8 [73]	10-5/8 & 11-47/64 [270-298]	15-25/64 [391]	4-1/64 [102]	7/16 [11]	1-1/32 [26]	8	37 (16.8)

*Manual gear operator

The Series PBFV Thermoplastic Butterfly Valves are an economical thermoplastic constructed butterfly valve ideal for chemical and wastewater applications. A one-piece body design incorporates fully supported flanged bolt holes to prevent stressing of the mating pipe flanges. Series PBFV valves feature a blowout-proof stainless steel stem and a unique, full body liner that has a V-notch retention design that assures positive sealing of the liner to the valve body. An integrally molded face seal provides positive sealing against the mating flange without the need for additional gaskets. Plastic construction gives this valve superior corrosion resistance and the valves will not contaminate sensitive fluids that come into contact with them.

FEATURES

- Ideal corrosion resistant butterfly valve for chemical and wastewater applications.
- Easily fitted into metal piping system.
- Blowout-proof shaft.
- Full body liner seal.

SPECIFICATIONS

Service: Compatible liquids and gases.

Line Size: 2" to 10".

Body Style: Wafer.

End Connections: Flange, to be used with flanges that are ANSI class 150 dimensions.

Pressure Limit: 150 psi (10.3 bar).

Wetted Materials:

Body Material: PP-H.

Disc: PVC or CPVC.

Liner and Seals: FPM or EPDM.

Stem: 316 SS.

Temperature Limits:

PVC: 150°F (66°C).

CPVC: 215°F (102°C).

Operator: L at end of model number denotes locking hand lever. G at end of model number denotes manual gear.

Size	Cv	Model	Disc Material	Seal	Size	Cv	Model	Disc Material	Seal
2"	126	PBFV-202L312L	PVC	EPDM	2"	126	PBFV-202L322L	CPVC	EPDM
2"	126	PBFV-202L311L	PVC	FPM	2"	126	PBFV-202L321L	CPVC	FPM
3"	282	PBFV-203L312L	PVC	EPDM	3"	282	PBFV-203L322L	CPVC	EPDM
3"	282	PBFV-203L311L	PVC	FPM	3"	282	PBFV-203L321L	CPVC	FPM
4"	580	PBFV-204L312L	PVC	EPDM	4"	580	PBFV-204L322L	CPVC	EPDM
4"	580	PBFV-204L311L	PVC	FPM	4"	580	PBFV-204L321L	CPVC	FPM
6"	1134	PBFV-206L312L	PVC	EPDM	6"	1134	PBFV-206L322L	CPVC	EPDM
6"	1134	PBFV-206L311L	PVC	FPM	6"	1134	PBFV-206L321L	CPVC	FPM
8"	2311	PBFV-208L312L	PVC	EPDM	8"	2311	PBFV-208L322L	CPVC	EPDM
8"	2311	PBFV-208L312G	PVC	EPDM	8"	2311	PBFV-208L322G	CPVC	EPDM
10"	3655	PBFV-210L312G	PVC	EPDM	10"	3655	PBFV-210L322G	CPVC	EPDM
8"	2311	PBFV-208L311L	PVC	FPM	8"	2311	PBFV-208L321L	CPVC	FPM
8"	2311	PBFV-208L311G	PVC	FPM	8"	2311	PBFV-208L321G	CPVC	FPM
10"	3655	PBFV-210L311G	PVC	FPM	10"	3655	PBFV-210L321G	CPVC	FPM