
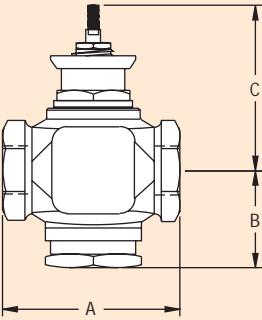




Series GV2 & GV3 Globe Control Valves

Low Cost, 1" to 2-1/2" Sizes, 2-Way or 3-Way





GV2 & GV3

DIMENSIONS

Model	A	B	C
GV221/321	4-11/32" (110 mm)	2-31/64" (63 mm)	4-17/64" (108 mm)
GV222/322	4-47/64" (120 mm)	2-23/32" (69 mm)	4-17/64" (108 mm)
GV223/323	5-1/8" (130 mm)	2-13/16" (71 mm)	4-3/8" (111 mm)
GV224/324	5-23/32" (145 mm)	3-3/64" (77 mm)	4-1/2" (114 mm)
GV225/325	4-11/32" (110 mm)	3-9/32" (83 mm)	4-25/32" (121 mm)
GV231/331	4-47/64" (120 mm)	3-13/64" (81 mm)	4-17/64" (108 mm)
GV232/332	5-1/8" (130 mm)	3-23/64" (85 mm)	4-17/64" (108 mm)
GV233/333	5-23/32" (145 mm)	3-23/64" (85 mm)	4-3/8" (111 mm)
GV234/334	5-1/8" (145 mm)	3-51/64" (96 mm)	4-1/2" (114 mm)
GV235/335	6-29/32" (175 mm)	4-7/64" (104 mm)	4-25/32" (121 mm)

The Series GV2 and GV3 globe valves can be conveniently paired with the Series VA2 and VA3 electric actuators, creating a low cost and compact control valve package. The globe design allows for exceptional throttling control in a wide range of applications, including central heating and air conditioning, water handling, and industrial manufacturing systems. Valves are manufactured in a variety of sizes, and are available in either two-way or three-way body styles. The forged brass body and equal percentage flow characteristic are ideal for many flow control systems. Series GV3 models incorporate a high intensity body casting for high temperature applications, including steam service.

Features

- Low leakage rate (less than 0.05% of Cv)
- Equal percentage flow characteristic for excellent low flow control
- Forged brass construction
- Direct mounting actuator (Series VA) for compact control valve package
- **GV3:** Higher temperature rating, capable of steam service
- Control flow in heating or cooling processes

SERIES GV2

Model	Type	Pipe Size	Cv	Max. Diff. Pres.		Stroke in. (mm)
				Fit with VA2-	Fit with VA3-	
GV221	2-Way	1"	9.3	145 psi (10 bar)	203 psi (14 bar)	19/32" (15)
GV222		1-1/4"	18.6	109 psi (7.5 bar)	160 psi (11 bar)	3/4" (19)
GV223		1-1/2"	29.0	72 psi (5 bar)	116 psi (8 bar)	3/4" (19)
GV224		2"	46.4	43 psi (3 bar)	72 psi (5 bar)	7/8" (22)
GV225		2-1/2"	73.1	29 psi (2 bar)	50 psi (3.5 bar)	7/8" (22)
GV231	3-Way	1"	9.3	145 psi (10 bar)	203 psi (14 bar)	19/32" (15)
GV232		1-1/4"	18.6	109 psi (7.5 bar)	160 psi (11 bar)	3/4" (19)
GV233		1-1/2"	29.0	72 psi (5 bar)	116 psi (8 bar)	3/4" (19)
GV234		2"	46.4	43 psi (3 bar)	72 psi (5 bar)	7/8" (22)
GV235		2-1/2"	73.1	29 psi (2 bar)	50 psi (3.5 bar)	7/8" (22)

SPECIFICATIONS

- Service:** GV2: Compatible liquids and gases.
 GV3: Compatible liquids, gases, and steam.
- Line Size:** 1" to 2-1/2".
- Body Style:** 2-way, push to open globe; 3-way globe.
- End Connections:** 1" to 2-1/2" female NPT.
- Pressure Limit:** 232 psi (16 bar) WOG; GV3: 130 psi SWP.
- Wetted Materials:**
 Body Material: Brass.
 Stem: SS (1Cr18Ni9).
 Disc: GV2: Brass with Nitrile gasket.
 GV3: Brass with Fluon® gasket.
 Packing: GV2: Fluon® filler with Nitrile O-ring.
 GV3: Fluon® filler with Fluorine O-ring.
- Temperature Limits:** GV2: 35 to 201°F (2 to 94°C), GV3: 35 to 356°F (2 to 180°C).
- Flow Characteristic:** Equal percentage.
- Flow Leakage:** Less than 0.05% of Cv factor.
- Stem Connection:** M8 thread.

SERIES GV3

Model	Type	Pipe Size	Cv	Max. Diff. Pres.		Stroke in. (mm)
				Fit with VA2-	Fit with VA3-	
GV321	2-Way	1"	9.3	116 psi (8 bar)	174 psi (12 bar)	19/32" (15)
GV322		1-1/4"	18.6	87 psi (6 bar)	145 psi (10 bar)	3/4" (19)
GV323		1-1/2"	29.0	58 psi (4 bar)	102 psi (7 bar)	3/4" (19)
GV324		2"	46.4	29 psi (2 bar)	58 psi (4 bar)	7/8" (22)
GV325		2-1/2"	73.1	29 psi (2 bar)	50 psi (3.5 bar)	7/8" (22)
GV331	3-Way	1"	9.3	116 psi (8 bar)	174 psi (12 bar)	19/32" (15)
GV332		1-1/4"	18.6	87 psi (6 bar)	145 psi (10 bar)	3/4" (19)
GV333		1-1/2"	29.0	58 psi (4 bar)	102 psi (7 bar)	3/4" (19)
GV334		2"	46.4	29 psi (2 bar)	58 psi (4 bar)	7/8" (22)
GV335		2-1/2"	73.1	29 psi (2 bar)	50 psi (3.5 bar)	7/8" (22)

Fluon® is a registered trademark of AGC Chemicals Americas, Inc.

Valves