


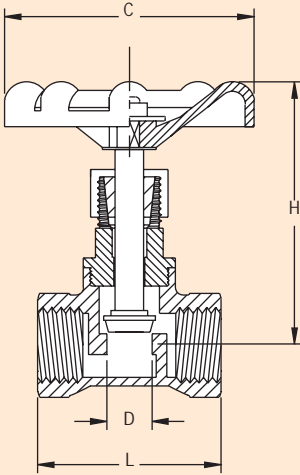


Series
HGV

Hand Operated Globe Valve

Low Cost, High Pressure Rating





Dimensions

PIPE SIZE	D in. [mm]	L in. [mm]	H (OPEN) in. [mm]	C in. [mm]
1/4"	13/32 [10]	2-3/64 [52]	4-1/64 [102]	2-3/8 [60]
3/8"	15/32 [12]	2-3/64 [52]	4-1/64 [102]	2-3/8 [60]
1/2"	19/32 [15]	2-3/64 [52]	4-1/64 [102]	2-3/8 [60]
3/4"	25/32 [20]	2-3/8 [60]	4-7/16 [113]	2-3/4 [70]
1"	63/64 [25]	2-53/64 [72]	4-21/32 [123]	2-3/4 [70]
1-1/4"	1-1/4 [32]	3-5/32 [80]	5-53/64 [148]	3-5/32 [80]
1-1/2"	1-31/64 [40]	3-35/64 [90]	6-19/64 [160]	3-11/32 [90]
2"	1-31/32 [50]	4-11/64 [106]	7-3/32 [180]	3-15/16 [100]

The Series HGV Hand Operated Globe Valves are an economical and functional alternative to large actuator/control valve packages. Metal-to-metal seating ensures excellent flow control and shut-off service. The body and bonnet are each constructed of CF8M (316) stainless steel for superb corrosion resistance and chemical compatibility.

FEATURES

- Threaded ends conform to ANSI B 2.1, BS 21, DIN 259/2999, ISO 228
- Stainless steel inside screw, screwed bonnet, swivel disc integral seat, rising stem and hand wheel

MODELS

MODEL No.	SIZE	Cv Value
HGV00	1/4"	0.6
HGV01	3/8"	1.38
HGV02	1/2"	2.46
HGV03	3/4"	5.76
HGV04	1"	10.69
HGV05	1-1/4"	17.1
HGV06	1-1/2"	25.2
HGV07	2"	47.1

SPECIFICATIONS

Service: Compatible liquids and gases.

End Connections: Female NPT.

Wetted Materials:

Body, Bonnet, Packing Nut: CF8M (316) SS.

Disc, Stem, Retainer Ring, Gland: 316 SS.

Packing: PTFE.

Other Materials:

Hand Wheel: Cast Iron.

Plate: Aluminum.

Wheel Nut: 316 SS.

Pressure Limits: 725 psi (50 bar) from -20 to 100°F (-6.67 to 37.8°C); 500 psi (34.5 bar) at 400°F (204°C), 415 psi (28.6 bar) at 900°F (482°C), 185 psi (12.8 bar) at 1200°F (649°C).

Temperature Limits: -20 to 1200°F (-6.67 to 649°C).

Valves