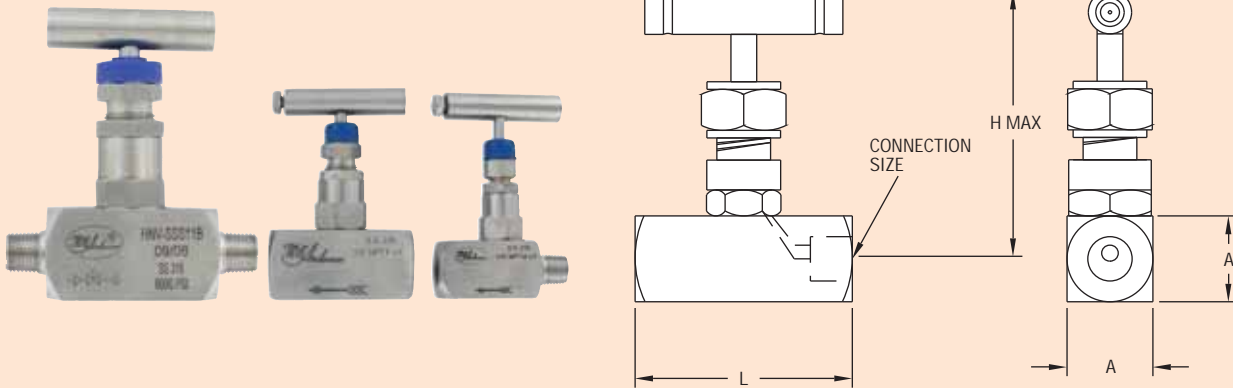




Series
HNV

Needle Valve

For Use with Gas and Liquids, Pressures Up to 6000 psi



Dimensions in (mm)

Connection	A	L	H	Connection	A	L	H	Connection	A	L	H
1/8" F x F		1-31/32 (50.01)		3/8" F x F		2-3/8 (60.33)		3/4" F x F		2-61/64 (59.13)	
1/8" M x F	7/8 (22.3)	2-11/64 (55.17)	2-3/8 (60.33)	3/8" M x F	63/64 (25)	2-9/16 (65.09)	2-9/16 (65.09)	3/4" M x F	1-1/2 (38.10)	3-5/32 (80.17)	3-23/64 (85/33)
1/8" M x M		2-3/8 (60.33)		3/8" M x M		2-49/64 (70.25)		3/4" M x M		3-23/64 (85.33)	
1/4" F x F		2-3/8 (60.33)		1/2" F x F		2-9/16 (65.09)		1" F x F		3-23/64 (85.33)	
1/4" M x F	63/64 (25)	2-9/16 (65.09)	2-9/16 (65.09)	1/2" M x F	1-17/64 (32.15)	2-49/64 (70.25)	2-49/64 (70.25)	1" M x F	1-25/32 (45.24)	4-7/64 (104.38)	3-3/4 (95.25)
1/4" M x M		2-49/16 (70.25)		1/2" M x M		2-61/64 (59.13)		1" M x M		4-9/64 (105.17)	

Series HNV Needle Valve is a barstock style needle valve that is designed for controlling low flow rates of liquids or gases. The valve series features fine threading and large seat area to ensure precise flow control. Wetted materials are 316 SS and PTFE making these ideal for use with corrosives. The HNV has been tested to assure vibration and thermal stability.

Body includes a lock pin to prevent accidental bonnet disengagement. The HNV is available in male x male, male x female, and female x female connections from 1/8" to 1". Tee handle is constructed of 316 SS and allows low torque operation.

FEATURES

- Solid Barstock Body
- 6000 psi (431 bar) Pressure Rating
- Panel Mountable
- Bubble Tight Shutoff
- Bonnet Lock Pin

APPLICATIONS

Test stands, laboratories, mobile equipment, hydraulic systems, sampling systems, metering service, and corrosives.

SPECIFICATIONS

Service: Gases and liquids compatible with wetted materials.

End Connections: NPT.

Wetted Materials: 316 SS and PTFE packing.

Pressure Limits: 6000 psi (431 bar) @ 200°F (93°C). 4000 psi (276 bar) @ 464°F (240°C).

Temperature Limits: 464°F (240°C).

Other Materials: Handle: 316 SS.

Options: Contact the factory for tube and BS connections, other materials of construction, NACE certified, and round handwheel handles.

HNV Needle Valve			
Pipe Size	Female X Female	Female X Male	Male X Male
	Model	Model	Model
1/8"	HNV-SSS31B	HNV-SSS21B	HNV-SSS11B
1/4"	HNV-SSS32B	HNV-SSS22B	HNV-SSS12B
3/8"	HNV-SSS33B	HNV-SSS23B	HNV-SSS13B
1/2"	HNV-SSS34B	HNV-SSS24B	HNV-SSS14B
3/4"	HNV-SSS35B	HNV-SSS25B	HNV-SSS15B
1"	HNV-SSS36B	HNV-SSS26B	HNV-SSS16B