

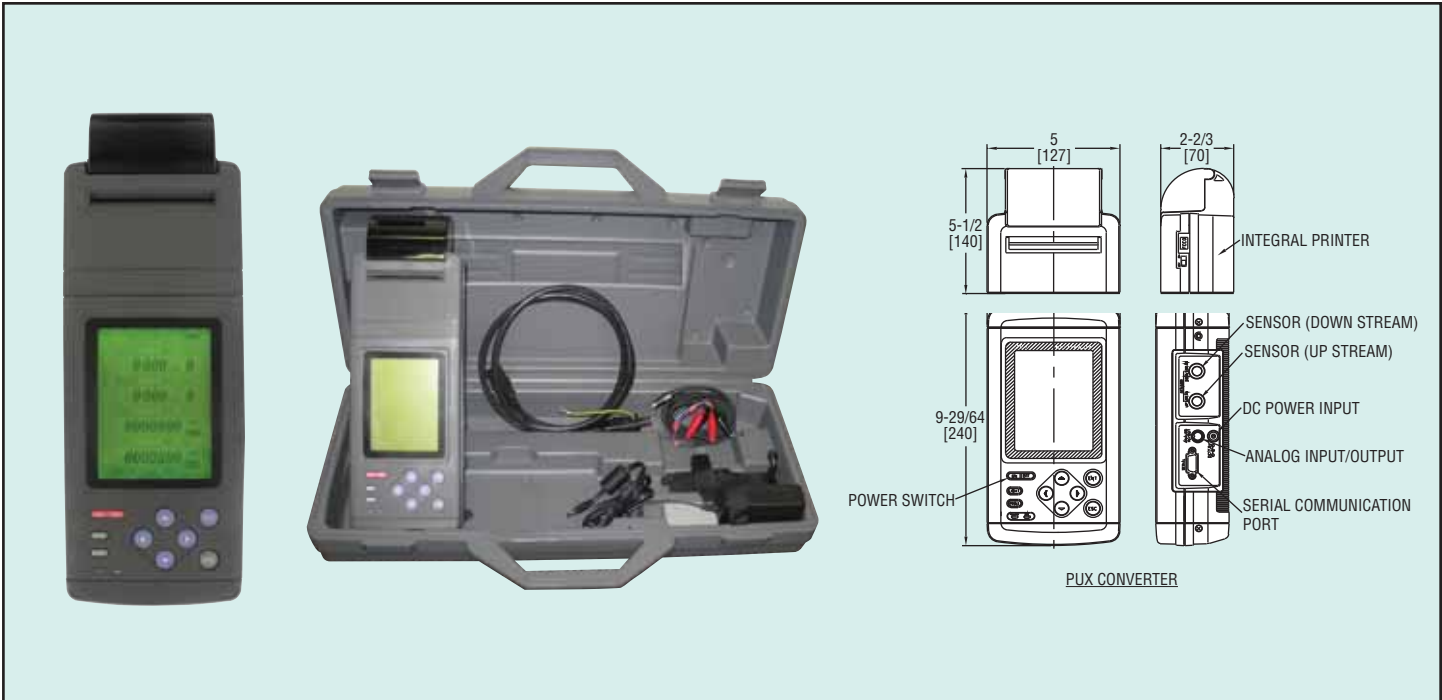


Series
PUX

Portable Ultrasonic Flowmeter Converter

Compact and Lightweight

Flow



Series PUX Portable Ultrasonic Flowmeter Converters are paired with Series PSX2 sensors in order to utilize the transit-time difference for measuring flow rates in pipes from the outside. It is a compact and lightweight instrument incorporating the latest electronics and digital signal processing technologies, realizing high performance and easy operation. This portable unit is designed for 5 hours of continuous operation with its built-in battery, which only requires 3 hours to recharge.

Series PUX Portable Ultrasonic Flowmeter Converters:

- Reduced size and weight
- Compatible with a wide range of sensors
- Quick response with high-speed microprocessor
- Large type graphic LCD

Model No.	Portable Ultrasonic Flowmeter Converter
PUX	Converter
PUX-PR	Converter with Printer

SPECIFICATIONS

- Service:** Homogeneous liquids (water, sea water, oil, and fluid of unknown velocity) capable of ultrasonic wave propagation.
- Input:** BNC connector, coaxial cable from sensor.
- Range:** 0 to ±105 fps (0 to ± 32 m/s).
- Display:** LCD, 240 x 320 dot (with back light).
- Accuracy:** ±1.0% of rate.
- Power Requirement:** Built in special type Ni-Cad battery (Continuous operation time: 5 hours without printer and back light off) (Recharging time: 3 hours, power adapter used).
- Power Consumption:** 12 W or less.
- Power Adapter:** Special type power adapter 90 to 264 VAC, 47/63Hz.
- Power Failure Backup:** Memory backup with lithium battery (effective term, 5 years).
- Temperature Limits:** Ambient 131°F (55°C) without printer; 113°F (45°C) with printer.
- Output:** 4 to 20 mA DC, 1 point (load resistance, 0 to 1 kohms).
- Serial Communications:** RS-232C (not isolated), 1 point.
- Enclosure Rating:** Dust-proof, IP50.
- Materials:** Plastic case.
- Weight:** 3.3 lb (1.5 kg) without printer; 4.4 lb (2.0 kg) with printer.