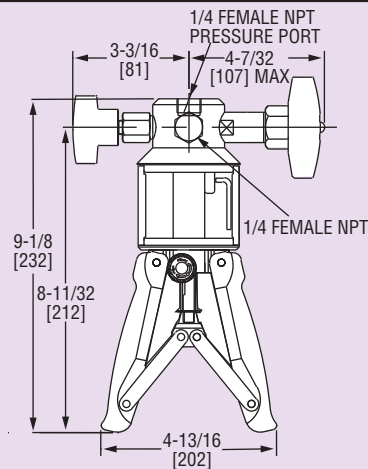




Model
HHP

Hydraulic Hand Pump

Pressures up to 10,000 psi (700 bar), Oil or Water



Generate pressures up to 10,000 psi (700 bar) with Model HHP-1 Hydraulic Hand Pump. Scissor action pump allows quick priming and pressure generation. Use in conjunction with an analog or digital pressure gage for a complete calibration system.

The pump is designed with a large, see through reservoir with a capacity of over 4 oz. A variety of fill liquids can be used including mineral oil, distilled water, and alcohol. The sealed stainless steel and tempered glass construction provide leak free operation.

Model HHP offers adjustable over pressure protection, fine control, and a unique selector switch to move from priming to high pressure generation.

Model HHP-1, Hydraulic Hand Pump

SPECIFICATIONS

Output Ranges: 0 to 10,000 psi (0 to 700 bar).

Process Connection: 1/4" female NPT (quick fit).

Gage Connection: 1/4" female NPT.

Materials: Stainless Steel and tempered glass.

Weight: 3.5 lb (1.6 kg).

ACCESSORIES

HHP-1K, Service Kit

HHP-1C, Hard Case

HHP-6K, High Pressure Hose Kit