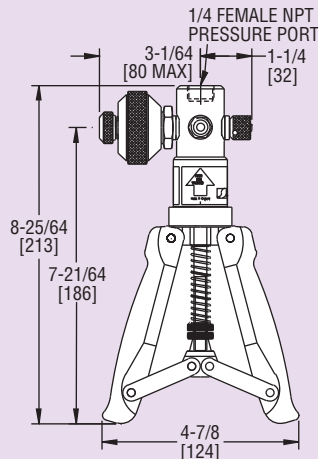




Model  
PHP

# Pneumatic Hand Pump

Generates Pressures up to 600 psi (40 bar), Portable



**Verify calibration** of pressure transmitters, switches, controllers, indicators, and recorders with Model PHP Pneumatic Hand Pump. The Model PHP is a hand operated pump for sourcing pressure and vacuum. Use in conjunction with an analog or digital gage for a complete calibration system.

The unit provides output pressures up to 600 psi (40 bar) or vacuum down to -28.5" Hg (-0.960 bar). The reliable pump reaches 100 psi in 4 strokes. Model PHP is fitted with a fine adjustment valve for precise volume control and an adjustable stroke to provide over pressure protection.

Model PHP includes a 39" (1 m) hose with a 1/4" female NPT quick fit connector. The optional service kit includes seals, O-rings, retaining screws and an allen key.

## SPECIFICATIONS

**Output Ranges:** -28.5" Hg to 600 psi (-0.960 to 40 bar).

**Process Connection:** 1/4" female NPT (quick fit).

**Gage Connection:** 1/4" female NPT.

**Materials:** Nickel plated brass, anodized aluminum, and nylon.

**Weight:** 1.4 lb (0.65 kg).

**Model PHP-1, Pneumatic Hand Pump**

## ACCESSORIES

**PHP-1K, Service Kit**

**PHP-1C, Hard Case**