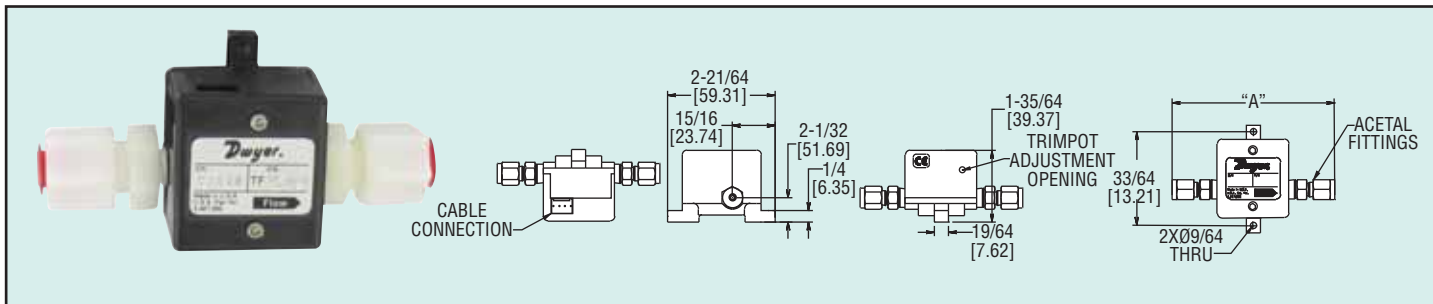




Series
TFP-LP

Liquid Turbine Flow Meter

PPS Body, 0 to 5 VDC and Pulse Outputs



Series TFP-LP Liquid Turbine Flow Meters are suitable for a wide variety of industrial, commercial, and laboratory flow applications. These meters utilize a turbine wheel and electro-optical detection to convert flow rates into a linear 0 to 5 VDC output signal for recording and data logging. Couple this unit with a Series TM2 Flow Totalizer for a remote flow monitoring display. A power adapter or mating cable assembly is required for operation.

Model	Range	Connection	"A" (in)
TFP-LP03	.21 to 1.6 GPH (.0013 to .1 LPM)	1/8" OD	3-9/16
TFP-LP04	.32 to 3.2 GPH (.02 to .2 LPM)	1/4" OD	3-41/64
TFP-LP05	.79 to 7.9 GPH (.05 to .5 LPM)	1/4" OD	3-41/64
TFP-LP06	1.6 to 16 GPH (0.1 to 1 LPM)	1/4" OD	3-41/64
TFP-LP07	3.2 to 32 GPH (.2 to 2 LPM)	1/4" OD	3-41/64
TFP-LP08	7.9 to 79 GPH (.5 to 5 LPM)	3/8" OD	3-27/32
TFP-LP09	16 to 160 GPH (1 to 10 LPM)	3/8" OD	3-27/32

ACCESSORIES

Model	Description
A-454	115 VAC Power Adapter and Signal Cable
A-455	230 VAC Power Adapter and Signal Cable
A-456	36" Mating Cable with Spliced Leads

SPECIFICATIONS

Service: Clean liquids compatible with wetted materials.

Wetted Materials: PPS, acetal, sapphire, glass, epoxy, and fluoroelastomer.

Accuracy: ±1% of full scale.

Linearity: ±1% of full scale.

Repeatability: ±0.2% of full scale.

Temperature Limits: 41 to 131°F (5 to 55°C); Storage: 32 to 158°F (0 to 70°C);

Sensitivity: ±0.2% of full scale per °C.

Pressure Limits: 100 psig (6.8 bar).

Process Connection: Compression fitting, see model table.

Power Requirements: 11.5 to 15 VDC.

Power Consumption: 35 mA @ 12 VDC.

Output Signal:

0 to 5 VDC: Minimum 2.5 kΩ load;

Pulse: 7.5 VDC peak buffered

square wave.

Electrical Connections: Four-pin power and signal connector. A power adapter or mating cable required for operation. See Accessories Table.

Enclosure Rating: IP10 (NEMA 1).

Weight: 0.19 lb (85 g).

Agency Approvals: CE.