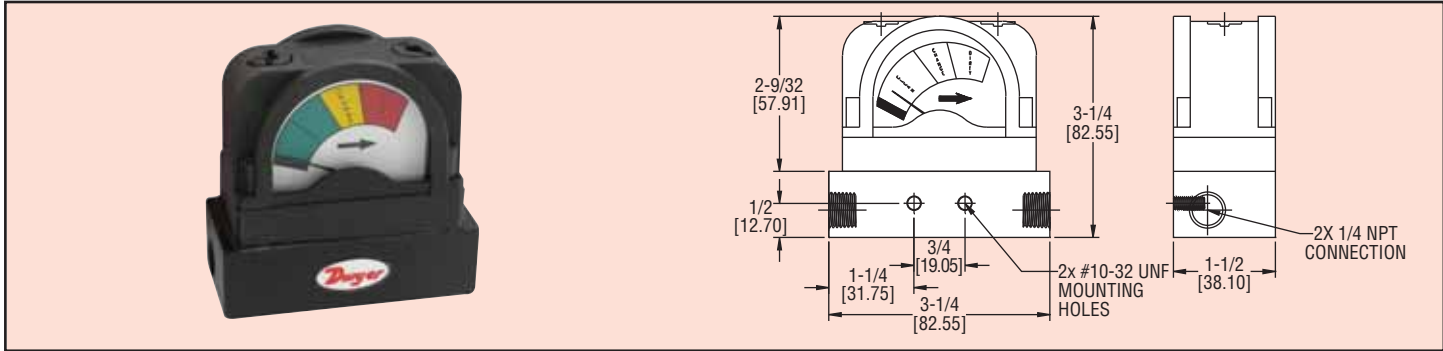




Series
PFG

Process Filter Gage

Indicates Process Filter Status



The Series PFG Process Filter Gage is designed for determining the state of an in-line filter. The differential pressure indicator determines the pressure drop on either side of a filter through its 1/4" female NPT pressure connections, and relates the value to one of three zones: clean (green), change (yellow), or dirty (red). The Series PFG is perfectly suited for filter applications, line loss, valve drop, and many other differential pressure applications where a simple indicator is needed.

SPECIFICATIONS

Service: Liquids/gases compatible with stainless steel, ceramic, GFN, and aluminum.

Wetted Materials: Stainless steel, ceramic, glass filled nylon, aluminum.

Accuracy: ±5% F.S.

Temperature Limit: 200°F (93°C).

Pressure Limit: 300 psig (20.7 bar).

Housing Materials: Body: Glass filled nylon;

Mounting Block: Aluminum;

Lens: Polyester;

Elastomers: Buna-N.

Process Connections: 1/4" female NPT.

Field Mounting: Any orientation with 10-32 threaded holes 3/4" apart.

Weight: 11.2 oz (317.5 g).

Model	Full Range	Green Zone	Yellow Zone	Red Zone
PFG-01	0-3.5 psid	0-2.0 psid	2.0-2.5 psid	2.5-3.5 psid
PFG-02	0-5 psid	0-3.0 psid	3.0-4.5 psid	4.5-5.0 psid
PFG-03	0-10 psid	0-5.0 psid	5.0-7.5 psid	7.5-10.0 psid
PFG-04	0-12 psid	0-6.0 psid	6.0-9.0 psid	9.0-12.0 psid
PFG-05	0-15 psid	0-7.5 psid	7.5-12.0 psid	12.0-15.0 psid
PFG-06	0-25 psid	0-11.0 psid	11.0-18.5 psid	18.5-25.0 psid
PFG-07	0-30 psid	0-13.0 psid	13.0-20.0 psid	20.0-30.0 psid
PFG-08	0-43 psid	0-19.5 psid	19.5-29.5 psid	29.5-43.0 psid