

JDN AIR HOISTS PROFI TI

COMPACT SIZE WITH HIGH POWER



PROFI 3 TI®

PROFI 6 TI®

PROFI 10 TI®

PROFI 16 TI®

Lifting capacities

3,2 t up to 16 t

Air pressure 4 bar

or 6 bar

THE ADVANTAGES AT A GLANCE

▶ **STRONG – FAST – SILENT**

The current JDN Air Hoists Profi are super silent and offer many further advantages as for example optimum efficiency, high lifting and lowering speeds.

▶ **INCREASED SAFETY**

Newly designed overload protection and emergency stop switch in the main air supply.

▶ **PATENTED MOTOR LUBRICATION**

The rotor of the vane motor has chambers filled with high quality grease continuously lubricating the motor during operation. No additional motor lubrication required.

▶ **PATENTED MOTOR-BRAKE SYSTEM**

For operation with low maintenance and little wear. Based on the proven system of the JDN economy series mini.

▶ **MODERN DESIGN – COMPACT SIZE**

Features no protruding control hoses or elements which could be damaged making the PROFI even suitable for horizontal pulling.

▶ **100 % DUTY RATING – LESS DOWNTIME**

▶ **SUITED FOR APPLICATION IN HAZARDOUS AREAS**

According to EC Directive on Hazardous Locations 94/9/EEC

As standard: Ⓜ II 2 GD IIA T4(X)/II 3 GD IIB T4(X)

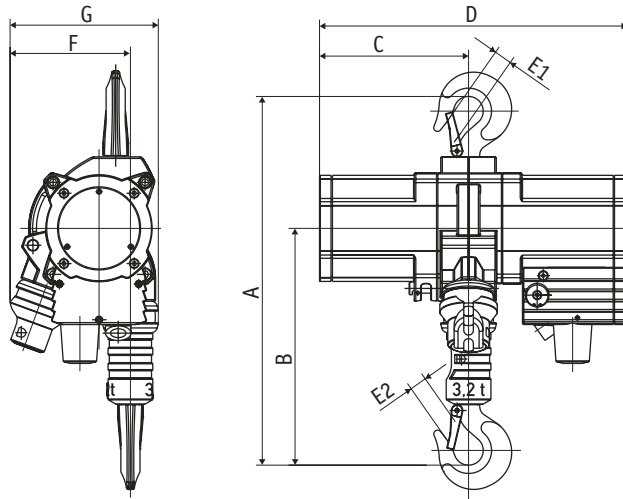
With increased spark protection Ⓜ II 2 GD IIC T4



J. D. NEUHAUS

powered by air
powered by air

TECHNICAL DATA JDN AIR HOISTS PROFI TI



Type	3 TI		6 TI		10 TI		16 TI	
Air pressure	bar		4	6	4	6	4	6
Lifting capacity	t		3.2		6.3		10	
Number of chain strands	1		2		2		3	
Engine output	kW		1.8	3.5	1.8	3.5	1.8	3.5
Lifting speed at full load	m/min		2.5	5	1.2	2.5	0.8	1.6
Lifting speed without load	m/min		6	10	3	5	2	3.2
Lowering speed at full load	m/min		7.5	10.8	3.6	5.4	2.5	3.4
Air consumption at full load - lifting	m ³ /min		2	4	2	4	2	4
Air consumption at full load - lowering	m ³ /min		3.5	5.5	3.5	5.5	3.5	5.5
Air connection	G ^{3/4}		G ^{3/4}		G ^{3/4}		G ^{3/4}	
Hose dimension (∅ inside / ∅ outside)	mm		19/31		19/31		19/31	
Weight at standard lift (3 m), rope control	kg		86		110		156	
Chain dimension	mm		13 x 36		13 x 36		16 x 45	
Weight of 1 m chain	kg		3.8		3.8		5.8	
Standard lift	m		3		3		3	
Length of control at standard lift	m		2		2		2	
Sound level at full load* - lifting	dB(A)		74	78	74	78	74	78
Sound level at full load* - lowering	dB(A)		79	80	79	80	79	80
Dimensions in mm	3 TI		6 TI		10 TI		16 TI	
A smallest headroom**	593		674		813		898	
B	373		454		548		598	
C	233		233		308		382	
D	483		483		575		692	
E1	40		40		44		53	
E2	30		40		44		53	
F up to hook center	187		154		197		199	
G biggest width	233		233		306		308	

*measured in 1 m distance acc. to DIN 45635 part 20

**Chain containers increase the headroom

PROFI TI® is a registered trademark of our company. T 233 GB · Issue: October 2004

Alterations reserved · With the issue of this edition all previous versions are null and void · 1020042

J.D. Neuhaus GmbH & Co. KG_D-58449 Witten-Heven
 Phone: +49 (0) 23 02-2 08-0 Fax: +49 (0) 23 02-2 08-286
 web site: www.jdn.de e-mail: info@jdn.de



J. D. NEUHAUS

powered by air
 powered by air