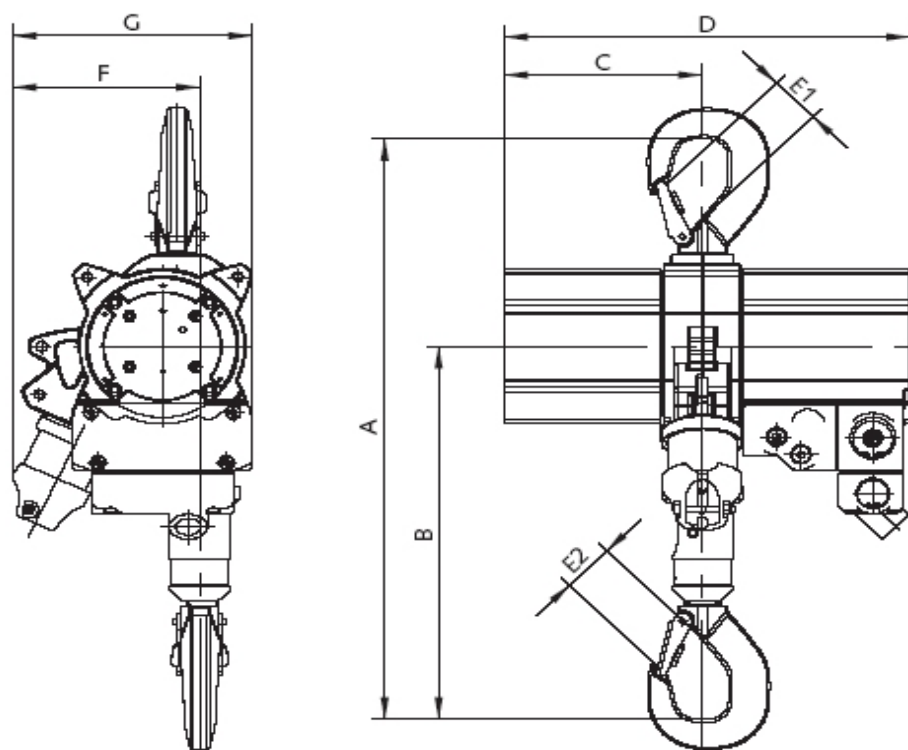


Technical Data
JDN Air Hoists PROFI 025 TI - 2 TI

PROFI025TI®
PROFI05TI®
PROFI1TI®
PROFI2TI®



Type		025 TI		05 TI		1 TI		2 TI	
Air pressure	psi	58,02	85	58,02	85	58,02	85	58,02	85
	bar	4	6	4	6	4	6	4	6
Carrying capacity	t	0,16	0,25	0,32	0,5	0,63	1	1,25	2
Number of chain strands		1		1		1		2	
Engine output	kW	0,6	1,0	0,6	1,0	0,6	1,0	0,6	1,0
Lifting speed at full load	ft/min	65,62	65,62	32,81	36,09	16,40	18,04	8,20	8,86
	m/min	20	20	10	11	5	5,5	2,5	2,7
Lifting speed without load	ft/min	123,03	137,80	52,49	62,34	32,81	36,09	16,40	18,04
	m/min	37,5	42	16	19	10	11	5	5,5
Lowering speed at full load	ft/min	124,67	124,67	55,77	55,77	32,81	36,09	16,40	18,04
	m/min	38	38	17	17	10	11	5	5,5
Air consumption at full load - Lifting	cfm	42,37	42,37	42,37	42,37	42,37	42,37	42,37	42,37
	m ³ /min	1,2	1,2	1,2	1,2	1,2	1,2	1,2	1,2
Air consumption at full load - Lowering	cfm	52,96	52,96	52,96	52,96	52,96	52,96	52,96	52,96
	m ³ /min	1,5	1,5	1,5	1,5	1,5	1,5	1,5	1,5
Air connection		G ½		G ½		G ½		G ½	
Hose dimension (∅ inside)	inch	0,51		0,51		0,51		0,51	
	mm	13		13		13		13	
Weight at standard lift, rope control	lbs	59,52	59,52	59,52	59,52	60,63	61,73	74,96	74,96
	kg	27	27	27	27	27,5 ²	28 ²	34 ²	34 ²
Chain dimension	inch	0,28 × 0,83		0,28 × 0,83		0,28 × 0,83		0,28 × 0,83	
	mm	7 × 21		7 × 21		7 × 21		7 × 21	
Weight of 1 m chain	lbs	2,20		2,20		2,20		2,20	
	kg	1,0		1,0		1,0		1,0	

Standard lift	ft	9,84		9,84		9,84		9,84	
	m	3		3		3		3	
Length of control at standard lift	ft	6,56		6,56		6,56		6,56	
	m	2		2		2		2	
Sound level at full load ¹ with standard silencer - lifting	dB(A)	73	74	74	75	74	76	74	76
Sound level at full load ¹ with standard silencer - lowering	dB(A)	77	78	77	78	77	78	77	78
Dimension		025 TI		05 TI		1 TI		2 TI	
A smallest headroom *	inch	17,72		17,72		17,72		19,61	
	mm	450		450		450		498	
B	inch	11,34		11,34		11,34		13,23	
	mm	288		288		288		336	
C	inch	5,71		5,71		5,71		5,71	
	mm	145		145		145		145	
D	inch	11,69		11,69		11,69		11,69	
	mm	297		297		297		297	
E1	inch	1,10		1,10		1,10		1,10	
	mm	28		28		28		28	
E2	inch	1,10		1,10		1,10		1,10	
	mm	28		28		28		28	
F up to hook center	inch	5,39		5,39		5,39		5,39	
	mm	137		137		137		137	
G biggest width	inch	6,93		6,93		6,93		7,20	
	mm	176		176		176		183	

* Chain containers increase the headroom.

¹ measured in 1 m distance acc. to DIN 45635 part 20

² with overload protection