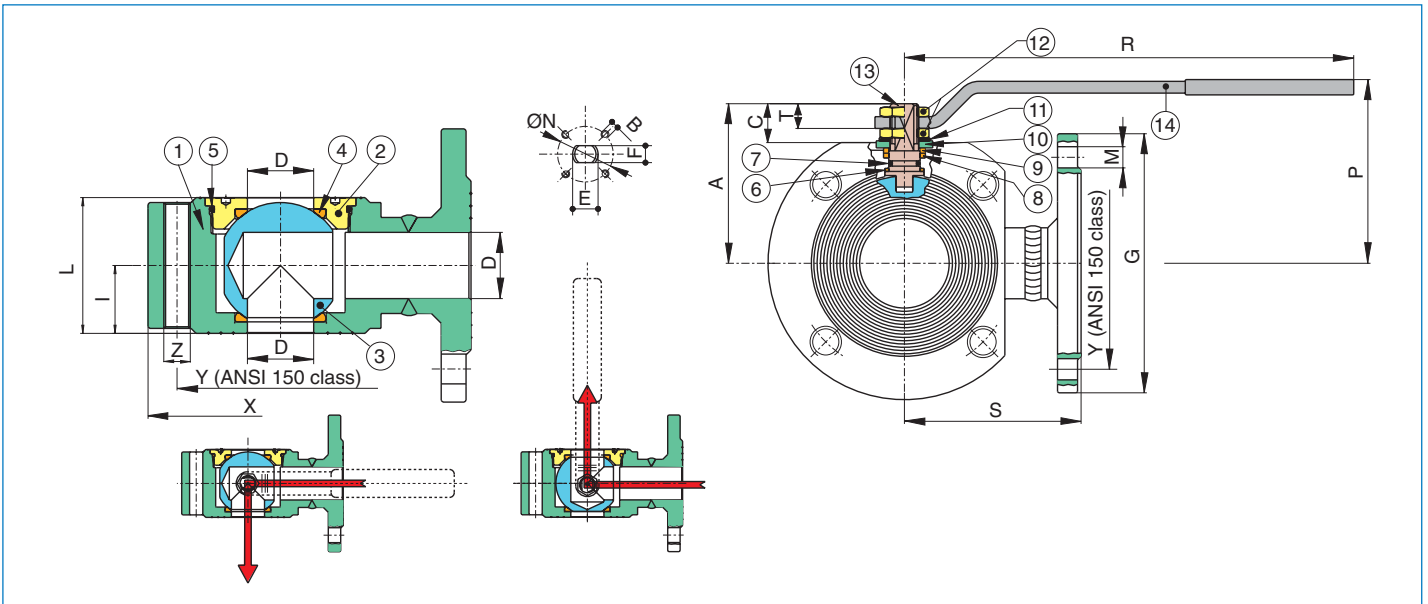


SERIES 776018 (L) STAINLESS STEEL 3 WAY BALL VALVE

Compact design, stainless steel AISI 316, flanged ANSI 150 ball valve.

- 3 way, diverter, two seats, L reduced port, sizes 1/2" to 4".
- Temperature to 344°F.
- Blow out proof stem, adjustable stem packing.
- P.T.F.E. seats, packing and thrust washer.

- 100% tested.
- TUV T.A. Luft approved.
- T port available on request



N Pos	PART NAME	MATERIAL	N PCS
1	BODY	AISI 316	1
2	END CONNECTION	AISI 316	1
3	BALL	AISI 316	1
4	BALL SEATS	P.T.F.E	2
5	O-RING	FKM (Viton®)	1
6	THRUST WASHER	P.T.F.E	1
7	O-RING	FKM (Viton®)	1
8	STEM SEAT	P.T.F.E	1
9	PACKING GLAND	STEEL	1
10	END STOP	STEEL (1/2" - 2") STEEL (2 1/2" - 8")	2 1
11	SPRING WASHER	STEEL	2
12	NUT	STEEL	2
13	STEM	AISI 316	1
14	HANDLE	STEEL	1

SIZE	X	Y	Z UNC	I	L	R	P	A	C	T	G	M	D	S	E	F	ØN	B	Lbs
1/2"	3.50	2.38	4X1/2"	0.78	1.57	5.17	2.54	1.85	0.61	0.35	3.50	4 X Ø 0.62	0.39	2.99	0.39	0.27	1.26	4XM5	4.91
3/4"	3.88	2.75	4X1/2"	0.78	1.57	5.17	2.71	1.95	0.53	0.35	3.88	4 X Ø 0.62	0.59	3.23	0.39	0.27	1.26	4XM5	6.30
1"	4.25	3.12	4X1/2"	0.90	1.81	6.87	3.17	2.32	0.70	0.49	4.25	4 X Ø 0.62	0.78	3.38	0.47	0.31	1.65	4XM5	8.57
1 1/4"	4.62	3.50	4X1/2"	1.14	2.28	6.87	3.33	2.52	0.61	0.45	4.62	4 X Ø 0.62	0.98	3.93	0.47	0.31	1.65	4XM5	13.69
1 1/2"	5.00	3.88	4X1/2"	1.39	2.79	9.86	4.03	3.07	0.96	0.51	5.00	4 X Ø 0.62	1.26	4.13	0.63	0.39	1.97	4XM6	18.73
2"	6.00	4.75	4X5/8"	1.61	3.22	9.86	4.29	3.35	0.98	0.53	6.00	4 X Ø 0.75	1.57	4.52	0.63	0.39	1.97	4XM6	27.05
2 1/2"	7.00	5.50	4X5/8"	2.08	4.17	12.65	4.29	4.11	1.10	0.71	7.00	4 X Ø 0.75	1.97	4.92	0.78	0.55	2.76	4XM8	44.10
3"	7.50	6.00	4X5/8"	2.40	4.80	12.65	5.37	4.45	1.10	0.71	7.50	4 X Ø 0.75	2.52	5.90	0.78	0.55	2.76	4XM8	53.66
4"	9.00	7.50	8X5/8"	2.99	5.98	15.01	6.12	5.35	1.36	0.86	9.00	8 X Ø 0.75	2.99	6.26	0.94	0.70	4.02	4XM10	84.76

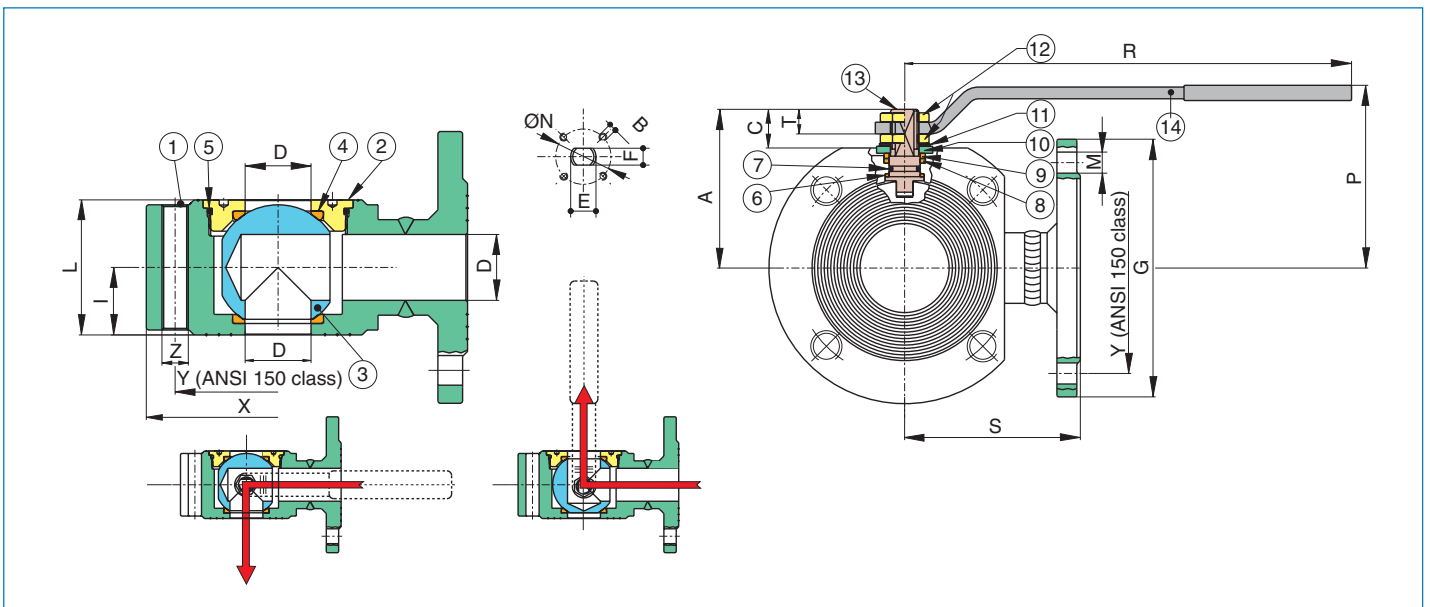


SERIES 776032 (L) CARBON STEEL 3 WAY BALL VALVE

Compact design, carbon steel A105 flanged ANSI 150 ball valve, stainless steel ball and stem.

- 3 way, diverter, two seats, L reduced port, sizes 1/2" to 4".
- Temperature to 344°F.
- Blow out proof stem, adjustable stem packing.
- P.T.F.E. seats, packing and thrust washer.

- 100% tested.
- TUV T.A.Luft approved.
- T port available on request



N Pos	PART NAME	MATERIAL	N PCS
1	BODY	ASTM A105	1
2	END CONNECTION	ASTM A105	1
3	BALL	AISI 304	1
4	BALL SEATS	P.T.F.E	2
5	O-RING	FKM (Viton®)	1
6	THRUST WASHER	P.T.F.E	1
7	O-RING	FKM (Viton®)	1
8	STEM SEAT	P.T.F.E	1
9	PACKING GLAND	STEEL	1
10	END STOP	STEEL (1 1/2" - 2") STEEL (2 1/2" - 8")	2 1
11	SPRING WASHER	STEEL	2
12	NUT	STEEL	2
13	STEM	AISI 304	1
14	HANDLE	STEEL	1

SIZE	X	Y	Z UNC	I	L	R	P	A	C	T	G	M	D	S	E	F	ØN	B	Lbs
1/2"	3.50	2.38	4X1/2"	0.78	1.57	5.17	2.54	1.85	0.61	0.35	3.50	4 X Ø 0.62	0.39	2.99	0.39	0.27	1.26	4XM5	4.91
3/4"	3.88	2.75	4X1/2"	0.78	1.57	5.17	2.71	1.95	0.53	0.35	3.88	4 X Ø 0.62	0.59	3.23	0.39	0.27	1.26	4XM5	6.30
1"	4.25	3.12	4X1/2"	0.90	1.81	6.87	3.17	2.32	0.70	0.49	4.25	4 X Ø 0.62	0.78	3.38	0.47	0.31	1.65	4XM5	8.57
1 1/4"	4.62	3.50	4X1/2"	1.14	2.28	6.87	3.33	2.52	0.61	0.45	4.62	4 X Ø 0.62	0.98	3.93	0.47	0.31	1.65	4XM5	13.69
1 1/2"	5.00	3.88	4X1/2"	1.39	2.79	9.86	4.03	3.07	0.96	0.51	5.00	4 X Ø 0.62	1.26	4.13	0.63	0.39	1.97	4XM6	18.73
2"	6.00	4.75	4X5/8"	1.61	3.22	9.86	4.29	3.35	0.98	0.53	6.00	4 X Ø 0.75	1.57	4.52	0.63	0.39	1.97	4XM6	27.05
2 1/2"	7.00	5.50	4X5/8"	2.08	4.17	12.65	4.29	4.11	1.10	0.71	7.00	4 X Ø 0.75	1.97	4.92	0.78	0.55	2.76	4XM8	44.10
3"	7.50	6.00	4X5/8"	2.40	4.80	12.65	5.37	4.45	1.10	0.71	7.50	4 X Ø 0.75	2.52	5.90	0.78	0.55	2.76	4XM8	53.66
4"	9.00	7.50	8X5/8"	2.99	5.98	15.01	6.12	5.35	1.36	0.86	9.00	8 X Ø 0.75	2.99	6.26	0.94	0.70	4.02	4XM10	84.76

