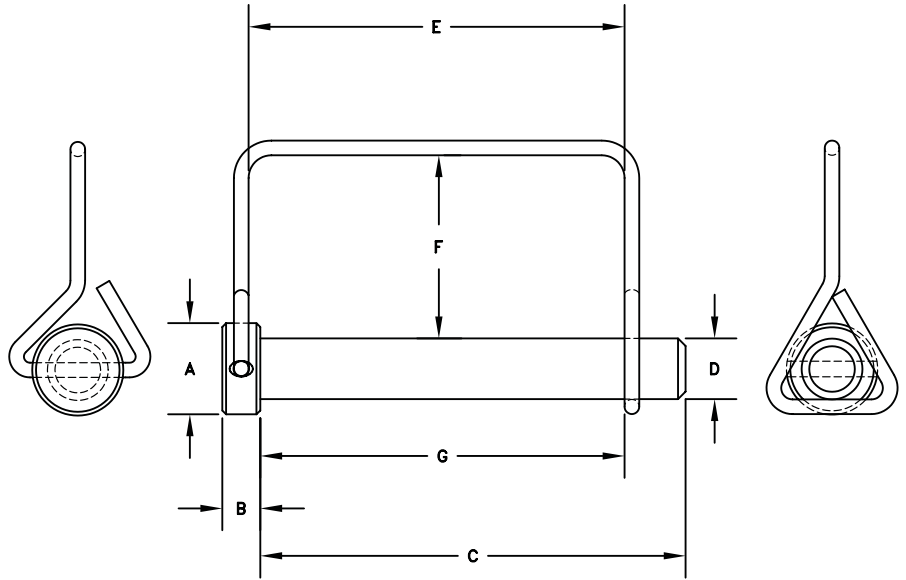


LOCK PIN-SINGLE WIRE



CARBON STEEL WITH ZINC FINISH

ITEM	A	B	C	D	E	F	G
12-3SWLP	$\frac{3}{4}$	$\frac{5}{16}$	$3\frac{1}{2}$	$\frac{1}{2}$	$3\frac{3}{32}$	$1\frac{5}{8}$	3