

# Electromagnetic Hammering Device "MagHammer"

Hammering equipment

## Solution for rat-holing, arching and bridging for powder and bulk solids

### Usage

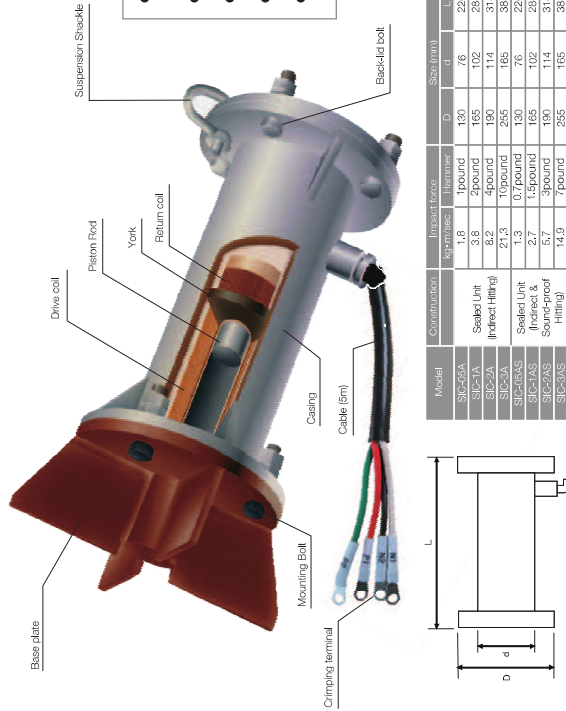
Prevents rat hole, arching and bridging for hoppers, shootors, air ducts, and tanks.

### Features

1. High efficiency for continuous impacting force.
2. Flexible adjustments by controller fit specific needs for application.
3. Sealed design allows use in severe dusty atmosphere.
4. Operation can be activated by an external signal, internal timer or manual control.



**Video**  
on our website

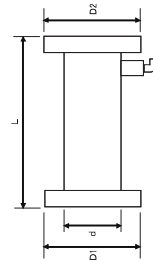


- High Temperature Model (Ambient Temp. up to 100 degree C).
- Corrosion resistance (SUS version is available).
- Direct impact type with extended piston.
- Base plate, bolts and nuts are included for installation.
- 5m connection cable is included.

Model	Construction	Impact force (kg·m/sec)	Hammer	Size (mm)	Weight (kg)	Amperage AC220V
SIC-25A	Sealed Unit	1.8	1pound	130 76	226	7 1.3
SIC-1A	Indirect Hitting	3.8	2pound	165 102	284	13 1.8
SIC-2A	Indirect Hitting	19.0	10pound	190 114	316	22 3.4
SIC-1AS	Sealed Unit	2.7	1.5pound	130 76	226	7 1.3
SIC-1AS	Sound-proof Hitting	2.7	1.5pound	168 102	284	13 1.8
SIC-2AS	Sound-proof Hitting	5.7	3pound	190 114	316	22 3.4
SIC-3AS		14.9	7pound	255 165	384	32 3.9

### Explosion-proof (Exd II BT4) Electromagnetic MAGHAMMER

Available in steam and gas hazardous area 1 and 2!



Model	Exemption type / Ambient number	Impact force (kg·m/sec)	Hammer	Size (mm)	Weight (kg)	Amperage AC220V
SIC-3EX	TC18745	1.8	1pound	130 140	76	226 8 1.3
SIC-1EX	TC18746	3.8	2pound	165 175	102	284 15 1.8
SIC-2EX	TC18747	8.2	4pound	190 190	114	316 24 3.4
SIC-3EX	TC18748	21.3	10pound	255 260	165	384 34 5.9

- Tube Magnet
- Grain Magnet
- Magnetic Strainer
- Magnet Plate
- Electromagnetic Separator OG
- Electromagnetic Filter
- Stainless Steel Separator
- Magnetic Pulley
- Drive-Tips Magnets Separator
- Suspension Type Electromagnetic Separator
- Suspension Type Electromagnetic Separator
- Eddy Current Separator
- Eddy Current Separator System
- Can Separator
- Press Machine
- Lifting Magnet
- MagHammer

- Eddy Current Heat System
- Electrostatic Corona Separator
- Other Magnetic Separator

### Selection Guide

Although the specific model and quantity will vary depending on the shape and dimensions of the hopper, as well as the condition of clogging and various other characteristics, the condition and water content of the powder, among others, general applications can follow the table shown at right to select model and quantity. Select appropriate model using the hopper wall thickness (t) and diameter (OD) value. Since impact force is adjustable, you should select the largest model from among the applicable models and turn down the impact force allowing for stronger impact force for difficult batches or materials.

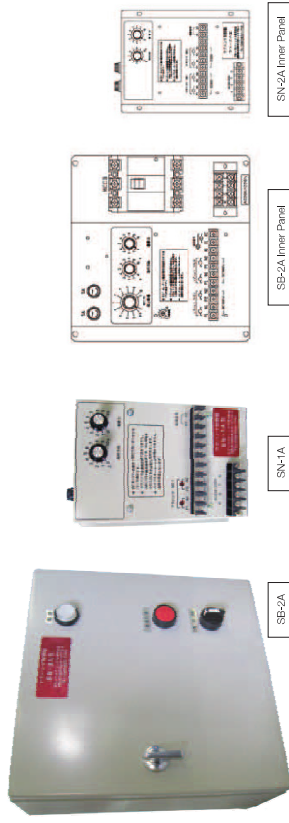
φ (mm)	1	2	3	4	5	6	7	8	9	over
0.5	05A-1			1A-1			2A-1			3A-1
0.8										
1.0										
1.5				1A-2			2A-2			3A-2
2.0										
2.5										
3.0				1A-3			2A-3			3A-3
3.5										
4.0										
5.0				1A-4			2A-4			3A-4
6.0										

### Clogging Adhesion

By adding a strong impact with MAGHAMMER, problems related to powdery adhesion inside the hopper, chute, pipe, etc. are solved effectively.



### Control Panels



Model	Qty of controllable MagHammer by a controller	Construction	Input	Operation	Impact Force Variable
SB-1A	05A-3 1A-2 2A-1 3A-1	Indoor use and Dust-proof with case	AC200/220V 50/60Hz Spraying	Auto or Remote Hit variable - 1 to 10 Pause variable 30sec. to 10min.	50~100%
SB-2A	05A-6 1A-4 2A-2 3A-2			Auto operation By external signal 1Hit/sec.	
SN-1A	05A-3 1A-2 2A-1 3A-1	Control unit without case			
SN-2A	05A-6 1A-4 2A-2 3A-2				