

13

Magnet Filter Model: CS

Wet Material

Fine Iron Powder Separation from Any Type of Wet Materials!!

Usage

Model CS is designed to separate fine iron powder in wet materials by electromagnetized filters. It can handle relatively high temp. materials and also slurries. Fine iron powder can be removed by passing through multiple high efficiency magnetic filters (picture below). Also, the pitch size of magnetic filter can be changed for best results.

Features

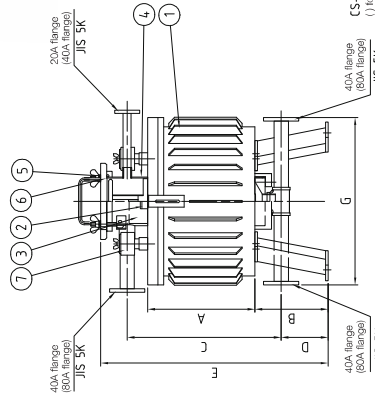
1. Improved Cooling Fan for best performance.
2. Insulation Oil for best performance and cooling capability.
3. Turning off the excitation current makes filter cleaning simple and easy.

Specifications

1. Available highest 12,000 gauss model (CS-HHH)
2. Equipped with control panel
3. Model 160, Model 230, Model 300, Model 400
4. Available high power models.



CS-230



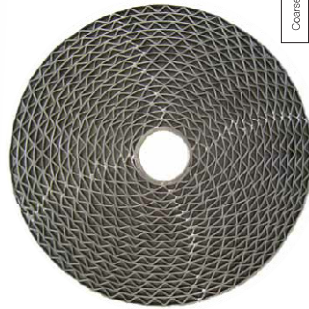
Main Parts : ①Cool casing ②Oil hole ③Terminal relay box ④Filter case ⑤Wing nut ⑥O-ring ⑦Air breather

Specifications

Model	CS-160	CS-230
Power supply voltage (VAC)	AC200~410V	AC200~410V
Load voltage (VDC)	DC 45V	DC 120V
Load current (Ambient Temp)	DC 13A	DC 13A
Magnetization power (kw)	0.38kw	1.38kw
Number of filter plate	Max. 25pcs	Max. 30pcs
Weight (kg)	Approx. 400kg	Approx. 650kg
Pipe Size	40A	80A
Fitting	Continuous	Continuous
Volume of insulating oil	18l	90l
Magnetic Field	3,000 GAUSS	3,000 GAUSS

Main Dimensions

Model	CS-160(mm)	CS-230(mm)
φ1	570	840
φ2	200	260
φ3	160	230
A	405	515
B	235	275
C	610	800
D	145	140
E	855	1,063
F	575	840
G	665	840



Coarse filter

14

Highest Grade Electromagnetic Filter: CS-X

Wet Material

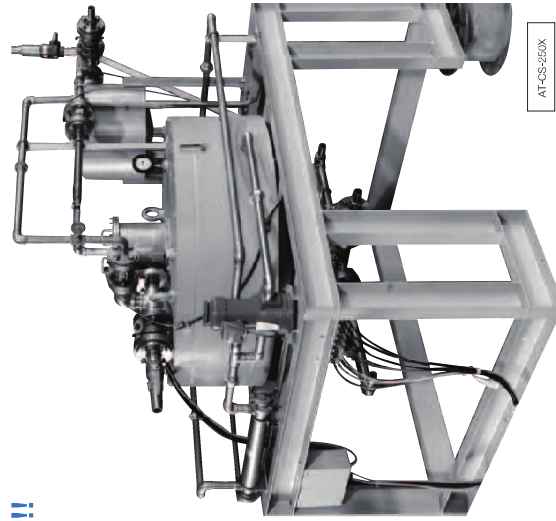
The Best Separation Results for Weak magnetism and fine small iron powder!!

Features

1. Strong Magnetic Flux Density (with screen set) over 15,000 gauss.
2. Separation of any magnetic materials in wet/slurry conditions.
3. Automated program reduces manpower.

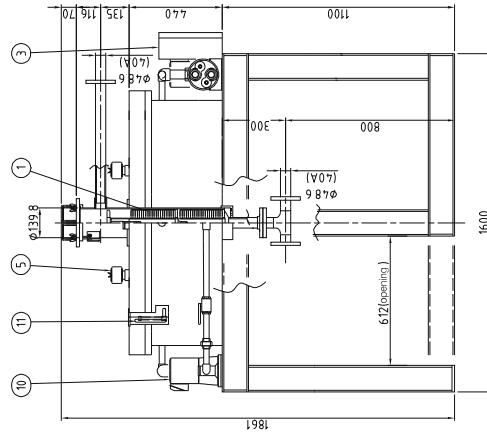
Specifications

Model	Flux One Magnet Power	Magnetization Power	Weight
CS-140X	5,000 GAUSS	12.8kw	Approx.2,800kg
CS-250X	5,000 GAUSS	14.5kw	Approx.2,800kg
CS-400X	5,000 GAUSS	19.0kw	Approx.4,500kg



AT-CS-250X

Structure and external dimensions of CS-140X



①Filter ②Water-cooled oil cooler ③Terminal Relay Box ④Oil hole ⑤Air breather ⑥Filter case ⑦Terminal box ⑧Passive air bulb ⑨Coil case ⑩Oil pump ⑪Oil level gauge ⑫Mounting Table