



Model KD Dashpot

SPECIFICATION

Rate

Fixed rate model KD - F Any value ($\pm 10\%$) between:
 min: 2.0 lbf.ins/rad/s
 0.22 Nm/rad/s
 max: 4000 lbf.ins/rad/s
 450 Nm/rad/s

Adjustable rate model See below

Angle of travel $60^\circ \pm 1/2^\circ$ External end stops must be provided

Max. safe torque 250 lbf.ins / 28 Nm.
 Continuous power dissipation not to exceed 10W at 20°C ambient.

Max. shaft end load 10 lbf / 45 N

Max. shaft side load 40 lbf / 178 N

Ambient temperature range 0°C to 40°C

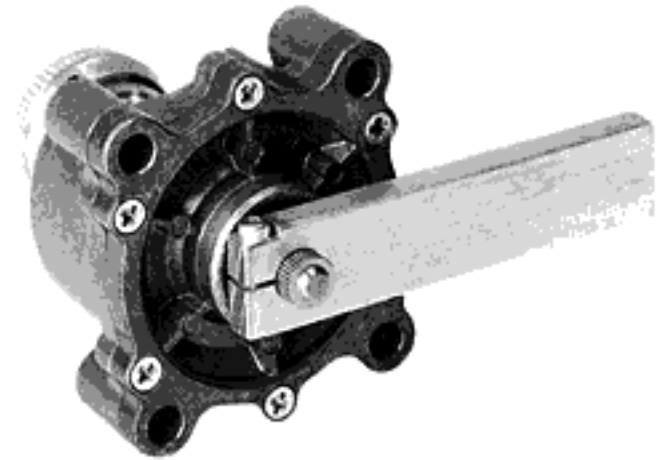
Frictional torque 0.01 lbf.ins / 0.001 Nm typical

Shaft material Stainless steel 431S29

Body material Zinc alloy Mazak 3

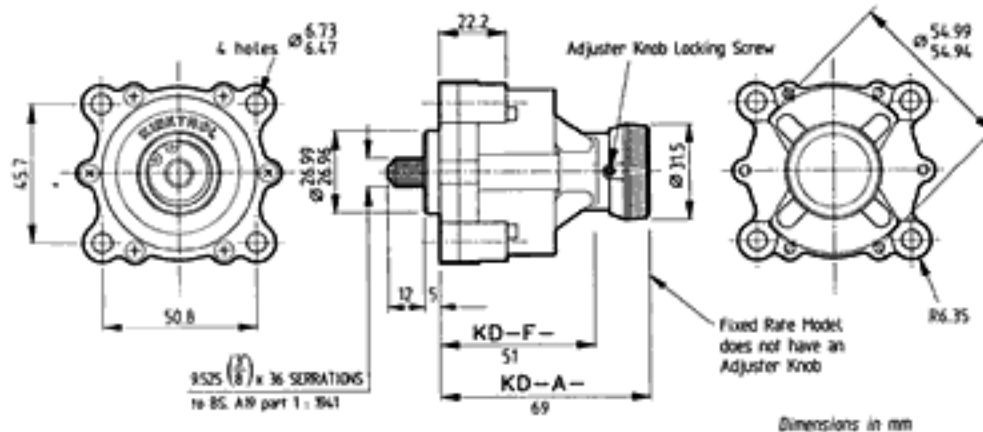
Weight: KD - F 14.9 ozs / 423 g

KD - A 16.9 ozs / 478 g

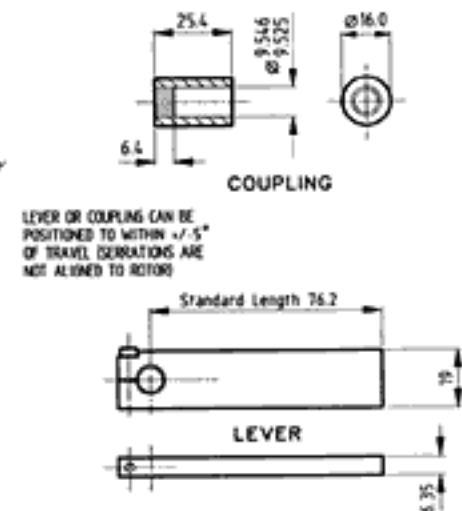


Adjustable Rate Model

British and Foreign Patents



Dimensions in mm



ADJUSTABLE RATE MODEL KD - A

Has an adjuster which permits any damping rate to be obtained within one of the following ranges. This range must be specified when ordering the dashpot.

- **A1:** 0.8 to 10 lbf.ins/rad/s / 0.09 to 1.13 Nm/rad/s
- **A2:** 10 to 100 lbf.ins/rad/s / 1.13 to 11.3 Nm/rad/s
- **A3:** 100 to 1100 lbf.ins/rad/s / 11.3 to 124 Nm/rad/s
- **A4:** 260 to 2600 lbf.ins/rad/s / 29 to 293 Nm/rad/s

ORDERING CODES

Fixed Rate Model	Adjustable Rate Model
KD - F (Rate) - DD	KD - A1, 2, 3 or 4 - DD
KD - F (Rate) - FC or FAC	KD - A1, 2, 3 or 4 - FC or FAC

OPTIONS

The following features may be specified for either model:-

Differential Rate (FC or FAC)

Gives a large resistance in one direction only and less than 1/10 resistance in the other. Specify free clockwise or free anticlockwise when viewed from shaft end. Internal valves in this type of dashpot give slight backlash. If application demands, very low backlash valve may be fitted - consult Kinetrol.

Double Damping (DD)

Gives equal resistance in either direction. External end stops must be provided.

Levers and Couplings

Splined aluminium or steel levers and steel couplings are available.