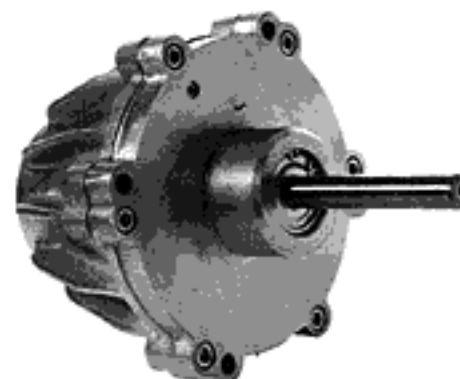




# Model T – CRD CR Dashpot

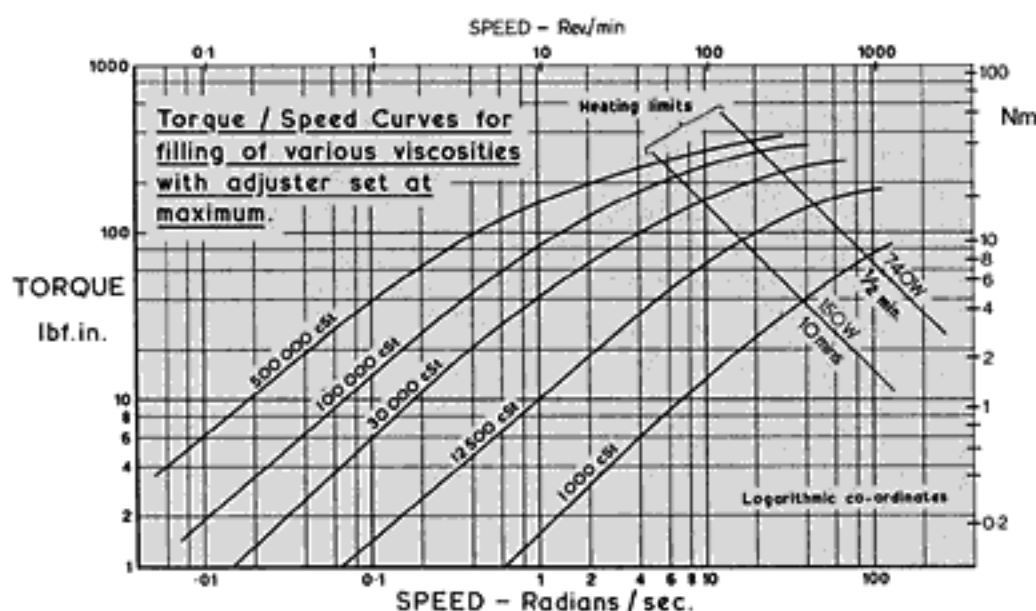
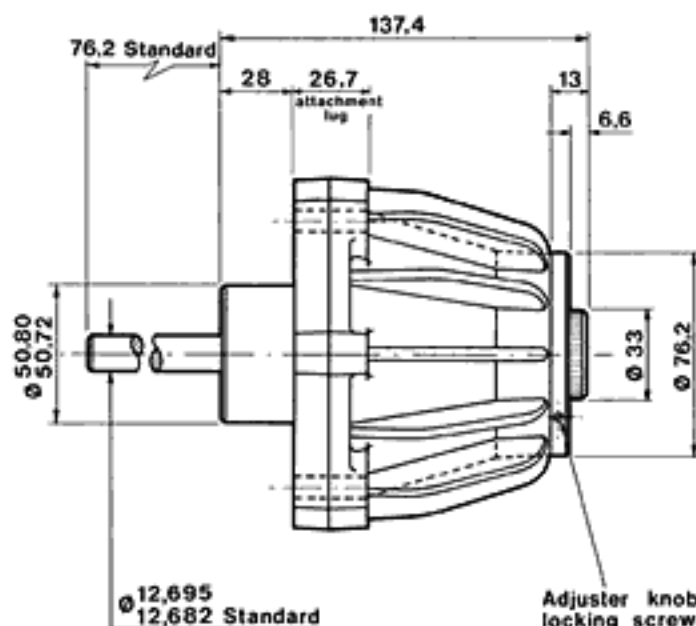
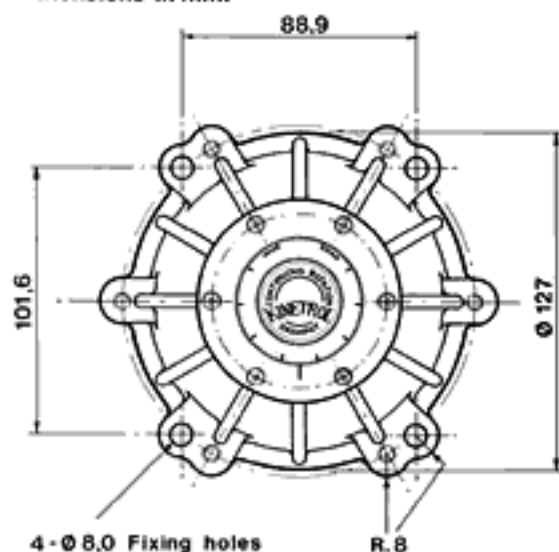
## SPECIFICATION

Rate	Adjustable - see curves below ( $\pm 10\%$ )
Max. shaft side load	41 lbf / 183 N
Ambient temperature range	0°C to 60°C
Frictional torque	0.5 lbf.ins / 0.056 Nm typical
Shaft material	High tensile steel 605M36(T)
Body material	Cast aluminium LM 4M
Weight	5.27 lbs / 2.39 kg



British and Foreign Patents

Dimensions in mm.



This continuous rotation dashpot has an adjustable rate. Specification of a given silicone fluid filling provides maximum rates as shown by the curves opposite.

Adjustment allows the rate to be varied down to 1/4 of the maximum values, for any speed of rotation.

The adjuster knob, although marked for reference, is not normally calibrated.

## VISCOSITIES AVAILABLE

1,000; 12,500; 30,000; 100,000; 500,000 cSt.

## ORDERING CODES

T – CRD – (Filling Viscosity)

Example: T – CRD – 100,000 has a 100,000 cSt filling.