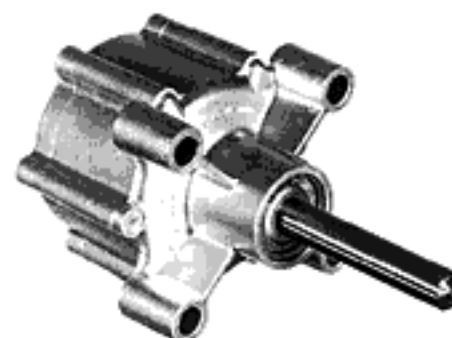


# Model S – CRD CR Dashpot

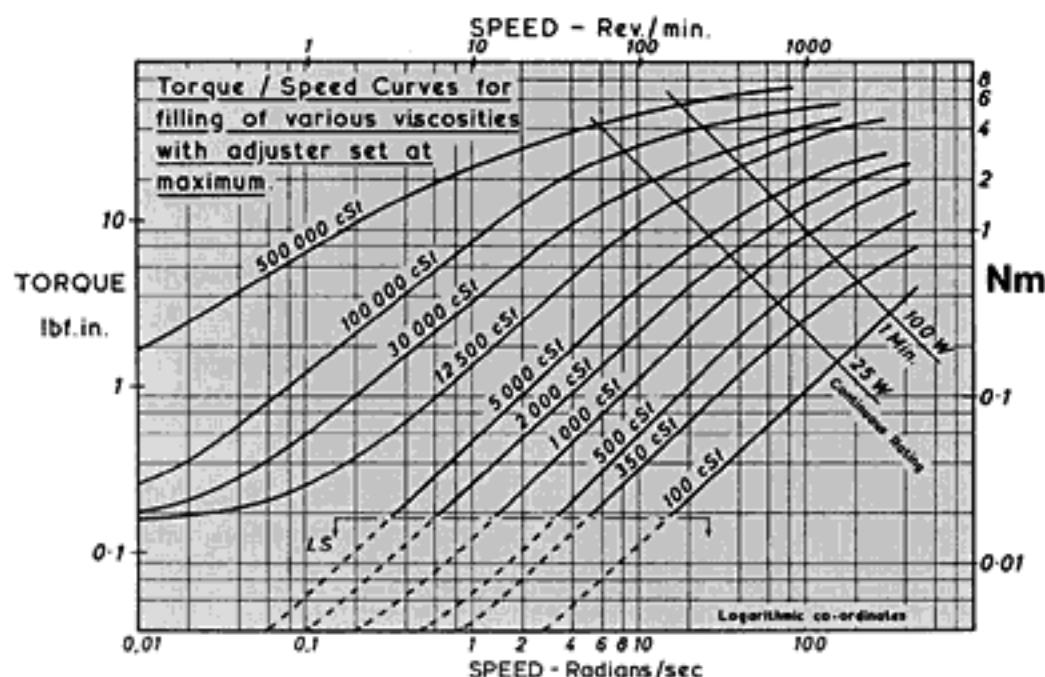
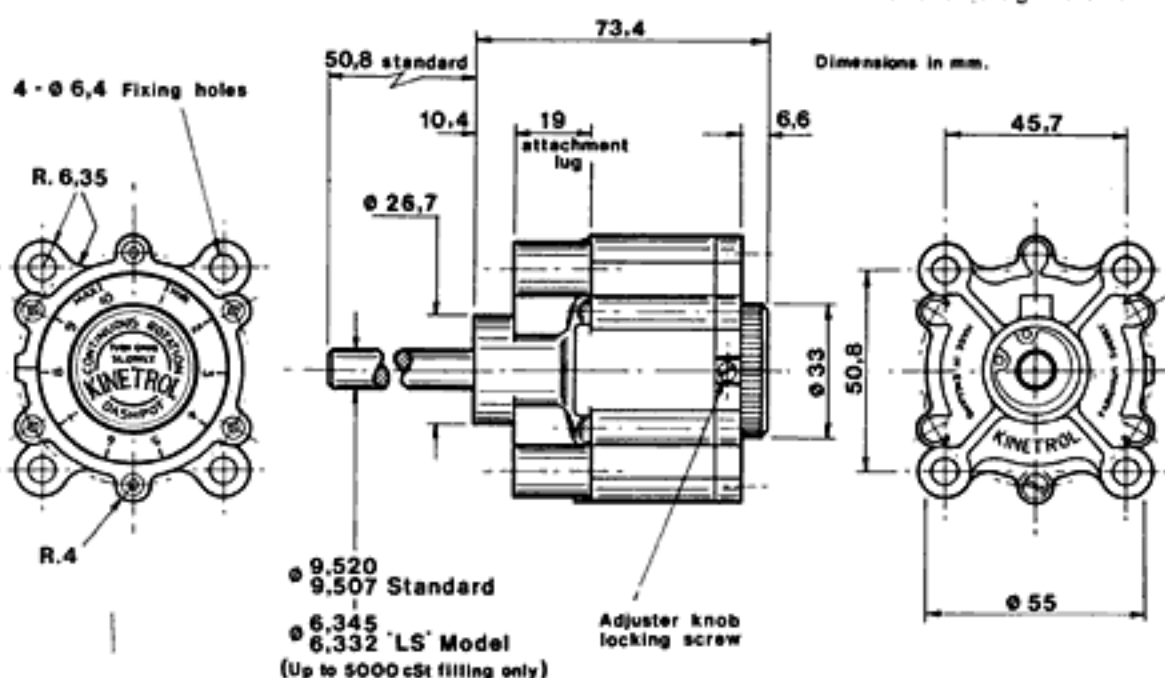


## SPECIFICATION

Rate	Adjustable - see curves below ( $\pm 10\%$ )
Max. shaft end load	20 lbf / 89 N
Max. shaft side load	26 lbf / 115 N
Ambient temperature range	0°C to 60°C
Frictional torque	0.13 lbf.ins / 0.015 Nm typical
Shaft material	Stainless steel 303S31
Body material	Zinc alloy Mazak 3
Weight	1.32 lbs / 619 g



British and Foreign Patents



This continuous rotation dashpot has an adjustable rate. Specification of a given silicone fluid filling provides maximum rates as shown by the curves opposite.

Adjustment allows the rate to be varied down to 1/10 of the maximum values, for any speed of rotation.

The adjuster knob, although marked for reference, is not normally calibrated.

The low stiction (0.025 lbf.ins / 0.003 Nm) model has a 1/4" shaft. For this specify: 'S - CRD - LS - (Filling Viscosity)'.

## VISCOSITIES AVAILABLE

100; 350; 500; 1,000; 2,000; 5,000; 12,500; 30,000; 100,000; 500,000 cSt.

## ORDERING CODES

S - CRD - (Filling Viscosity)

Example: S - CRD - 30,000 has a 30,000 cSt filling.