

Model 7208 DB15 A/B/C/D Switch with Remote Control Port

- **Switching exclusively controlled by remote port.**

The Model 7208 DB15 Interface A/B/C/D Switch provides switching in a compact desktop unit.

The Model 7208 allows the user the capability of sharing a single DB15 interface device connected to the Common port among four other devices connected to the "A", "B", "C", and "D" ports.

There is no "local" or front panel switch controls on the unit. The Model 7208 can ONLY be switched remotely from the DB9 / female serial interface Control port located on the rear of the unit. The front panel LED display indicates the switch position and unit power status.

The switched DB15 / female ports (A, B, C, D, and COMMON) are transparent to all data. All 15 signals of the DB15 connector interface are switched.



Features:

- Switch between four DB15 ports via a serial remote port located on rear panel.
- An RS232 DB9 / female remote port allows remote control of the unit based on a set of ASCII commands.
- Remote commands allow change of position, query of position, lockout of front panel controls. The ASCII command set is as follows:
 - "CTRL-A" created by holding down the [CTRL] and [A] key on the keyboard, changes the switch position to "A";
 - "CTRL-B" changes the switch position to "B";
 - "CTRL-C" changes the switch position to "C";
 - "CTRL-D" changes the switch position to "D";
 - "CTRL-P" queries the switch position status
- All DB15 leads switched
- Front panel LED indicators display the switch position and power status
- Switch position and connection through the switch maintained during power loss
- All ports are located on the rear panel: (5) DB15 Female for ports 'A', 'B', 'C', 'D', and 'Common'; (1) DB9/F 'Remote Port'; Power jack
- Desktop size: 7.75" W x 2.82" H x 7.25" D

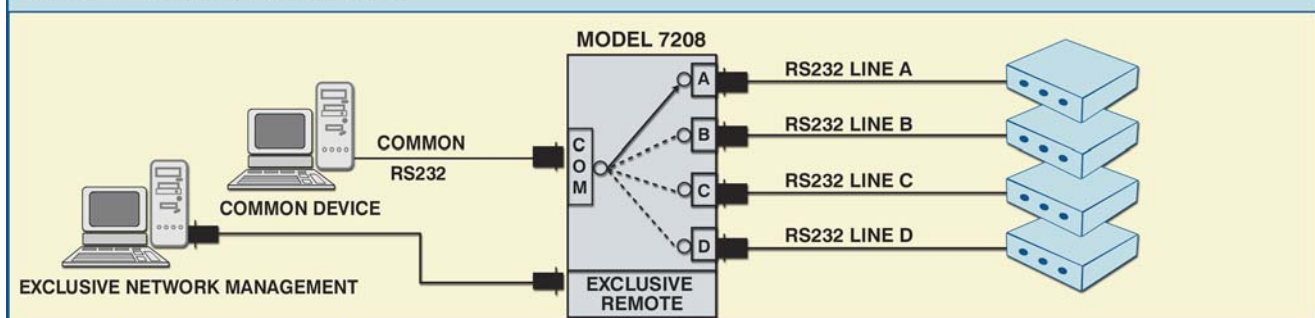
REMOTE SWITCH CONTROL

A computer or other terminal type device that can generate ASCII commands can communicate and control the Model 7208. A computer connected to the remote port may use any common terminal emulation software (i.e. WINDOWS Hyperterminal software) to access the remote port. Simply configure the terminal software for VT100 or compatible mode, choose the correct COM port of the computer, and set the data format as follows:

1. Baud Rate: 9600
2. Data bits: 8
3. Stop bits: 1
4. Parity: None

SIGNAL NAME	DB-9 PIN #	SIGNAL DIRECTION
TD	3	→ IN
RD	2	← OUT
SG	5	—

MODEL 7208 APPLICATION:



VISIT OUR WEBSITE <http://www.ElectroStandards.com>