

## Model 7009 RJ45 Cat 5e A/B/OFF-Line Switch Modules with Contact Closure Remote Port

- **100 Base-T, Cat 5e Compliant, Modular Expandable System!**

### FEATURES:

- The switch ports are transparent to all data.
- All eight (8) pins of the RJ45 interface are switched.
- All switched signals are passed via copper contact relays that maintain their position and continuity even in the event of a power loss or failure.
- Front panel pushbutton control or remote contact control via the remote port.
- Front panel LED's display the current switch position and flash while the user is in the process of changing the switch.
- The Model 7009 is a modular, rackmount switch and is sold in conjunction with the Model 9030 rack.
- The Model 9030 rack can accommodate up to eight Model 7009 Switch Modules.
- Model 9030 Rack includes a power supply module, which is responsible for powering all the switches in the rack. A power bus cable (included) distributes the power among the modules.



### INTRODUCTION

Each Model 7009 A/B/OFF-LINE Switch Module allows the user to connect a single RJ45 interfaced device to be connected to either of two RJ45 interfaced devices, or to be isolated from both of them by being switched to an "OffLine" position. Up to eight of the switch modules may be slid into the Model 9030 Rack which also supplies necessary power. The Model 9030 Rack has dimensions 19.0" W x 5.25" H x 7" D.

The Model 7009 RJ45 A/B/OFF-LINE Switch Module can be controlled locally by pushbutton or remotely by contact closure. The unit meets CAT 5e signal integrity specifications. A pushbutton on the front panel allows the user to locally control the switch position. A contact control remote port facilitates remote switching. When the proper contacts are made on the remote port, the unit will switch to the prescribed port, either A, B, or OFF-LINE. In either local or remote mode of operation, LED indicators display the switch position and power status.

### Model 7009 SPECIFICATIONS

#### Remotely Controllable RJ45 A/B Switch

**MODULE SIZE:** 2" W x 5" H x 7" D.

**POWER:** Requires 12 VAC, .5A.

**DISPLAY:** (2) Port Status Tri-State LED's on front panel.

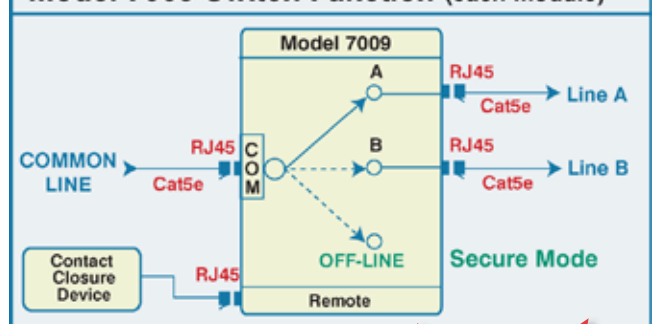
**CONTROL:** (1) Pushbutton on front panel selects A, B, or Off-Line.

**REMOTE:** (1) RJ45(F) port accepts contact closure for Remote Control.

**CONNECTORS:** (3) RJ-45 (F) on rear panel labeled A, B, and COM.

**LEADS SUPPORTED:** All 8 pins switched.

### Model 7009 Switch Function (each module)



## Model 9030 Rack with Power Supply and Cabling

### Features of Model 9030 Rack with Power Supply and Cabling:

- Model 9030 Rack includes a power distribution module, a wall mount power supply which provides power to all the switches in the rack, and power bus cable which distributes power to all eight modules.
- Rack Size: 19" W x 5.25" H x 7" D.
- The Model 9030 Rack can accommodate up to eight switch modules.
- Filler panels are available to cover unused module slots.  
(Request Catalog# 305983 for a 2 inch filler panel)

