

Pathway® Model 7141 One-Channel Normal/Bypass Switch, E1 Interface with Remote Control

- **Allows New Equipment to be Added-To or Bypassed From E1 Data Links**

One-Channel System Switch: Model 7141

The Pathway® Model 7141 One-Channel Normal/Bypass Switch, E1 Interface with Remote allows the user the capability of accessing four separate devices and setting the group of devices to a pre-determined configuration based on whether the channel is set to Normal or Bypass. Position may be controlled manually via a front panel push button or remotely from an RS-232 serial port located on the rear of the unit. Switch position status may be attained via the front panel LED display or the remote RS-232 serial port (DB9) located on the rear of the unit.

The Model 7141 dimensions are 19"W x 8"D x 1.75"H with rack mounting and it weighs approximately 4.5 lbs. All switch ports are RJ48 female compatible. All 8 pins of the RJ48 are switched.

FEATURES:

- Rackmount Configuration.
- Local or Remote Control.
- LED's Display Switch Position.
- Automatic Switch to Bypass, if data activity is lost.
- Automatic Switch to Bypass mode, if power is lost.
- E1 ports are RJ-48 Connectors located on the rear panel.
- UL approved wall mount power module supplied with unit.
- Power module accommodates wide voltage range ideal for international applications.
- A 3-Channel unit is also available (Model 7143, Cat 307143)
- A 6-Channel unit is also available (Model 7146, Cat 307146).



SPECIFICATIONS:

PORT CONNECTORS: (4) RJ48 female connectors labeled 1, 2, 3, and 4.

FRONT PANEL CONTROL: (1) Manual pushbutton allows local switching.

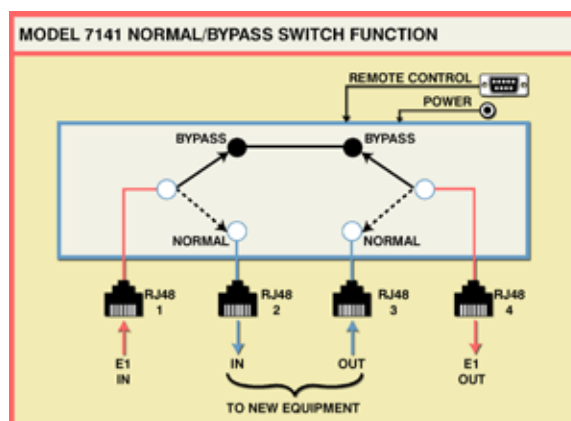
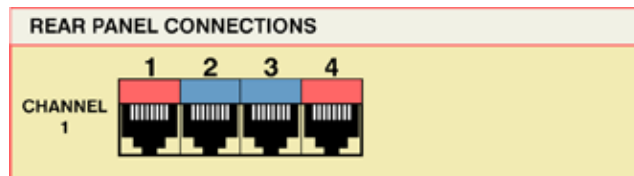
DISPLAY: (2) Front panel LED's display switch position and power status.

REMOTE: (1) DB9 (F) connector on rear panel accepts ASCII RS232 Serial Data for Remote Control operation

POWER: UL approved 100 - 240 VAC, 47-63 Hz wall mount power module supplies 12 VDC, 2.0A power

DIMENSIONS: Rackmount 19.0" W x 1.75" H x 8.0" D.

WEIGHT: Approximately 4.5 lbs



Power Module (Cat No. 516265) is supplied with All Normal / Bypass Switch Models.

- The UL Approved wall mount power module plugs into a 100-240 VAC / 47-63 Hz wall receptacle and supplies the Bypass Switch with 12 VDC / 2.0A power.