

Model 7224 X.21 Interface DB15 A/B Switch, Remotely Controllable

The Model 7224 Remotely Controllable X.21 Interface A/B Switch allows two X.21 interface devices to share one X.21 dataline connected to the Common port. The Switch may be controlled manually via a front panel pushbutton or remotely from an RS232 serial port located on the rear of the unit. Switch position status can be determined by glancing at the front panel LEDs or by query from the Remote control port. This unit is supplied complete with a wide-range power module that accepts your international IEC power cable.



Features:

- Ideal for remote control switching applications.
- Front panel switching can be locked out from a PC connected to the Remote port.
- 19" Rackmount option available.
- Switch position and signal integrity is maintained even during a power failure.
- A wide range UL approved power module is supplied with the unit (90 to 264 VAC) and 47 to 62 Hz to cover North American and European applications).
- Optional Windows compatible control software available.
- Transparent to data speed and format.

MODEL 7224 SPECIFICATIONS

Dimensions:

7.75"W x 2.75"H x 7"D

Power:

Power Module: 90 - 264 VAC, 47-62 Hz.

Display:

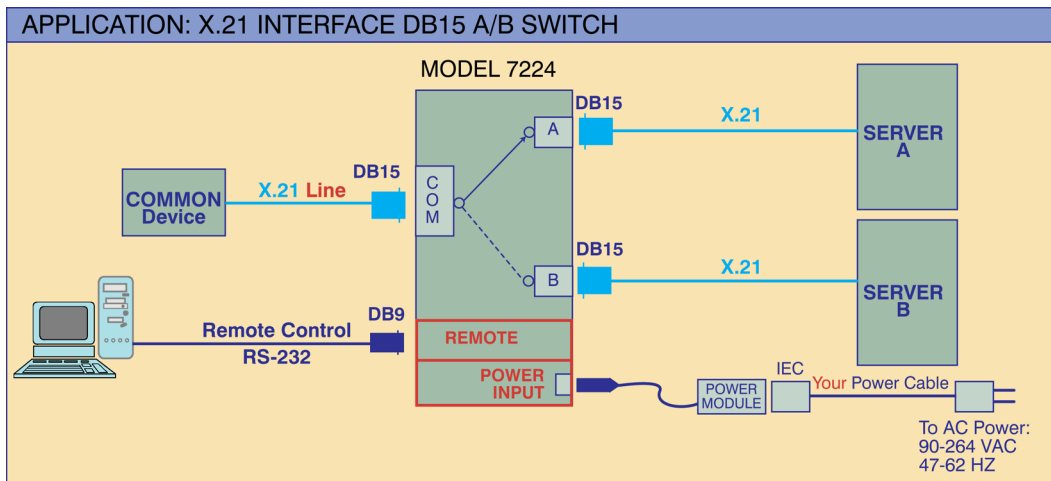
(2) A/B Position LEDs

Controls:

(1) Pushbutton, Remote RS-232 serial port, DB9

Connectors:

(3) A, B, and COMMON, DB15 (F);
(1) Remote, DB9 (F) on rear panel.



VISIT OUR WEBSITE <http://www.ElectroStandards.com>