

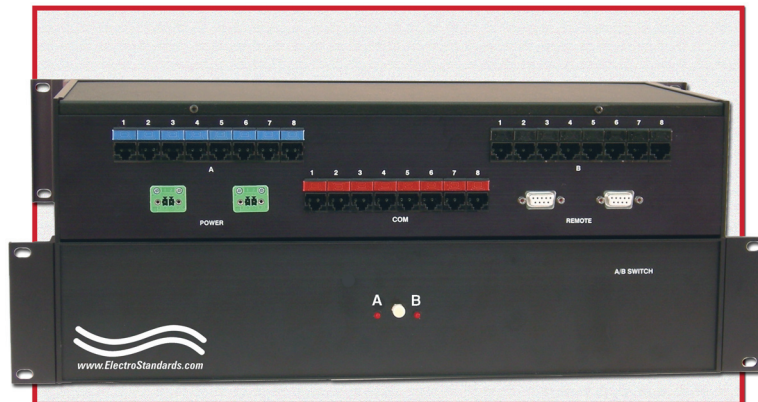
Model 7237 8-Channel RJ45 A/B Switch with Redundant Remote Control and Power Supply

INTRODUCTION

The Model 7237 8-Channel RJ45 A/B Switch with Redundant Remote Control and Power allows the user the capability of accessing, on each channel, one of two separate devices via a device connected into the channel's Common port.

The switch may be controlled manually by a front panel push button or remotely from either RS-232 serial port located on the rear of the unit.

Switch position status may be attained via the front panel LED display or either remote RS-232 serial port (DB9) located on the rear of the unit.



Features of the Model 7237 include:

- All (8) pins of each RJ45 interface are switched.
- All switches change positions simultaneously upon command.
- Transparent to data speed and protocol.
- Switches maintain position in the event of power loss and continue to pass data.
- Front panel pushbutton control or Remote ASCII Command access through the dual serial ports.
- Front panel LEDs display the current switch position and power status.

SPECIFICATIONS:

PORT CONNECTORS: (24) RJ45(F) connectors labeled A, B, and COM (3 for each of the 8 channels).

DUAL REMOTE CONNECTORS: (2) DB9(F) connectors labeled REMOTE accept RS232 serial data.

DUAL POWER: (2) UL approved 110/120 VAC, 60Hz wall mount power modules supply 12 VAC, 500 mA to the unit.

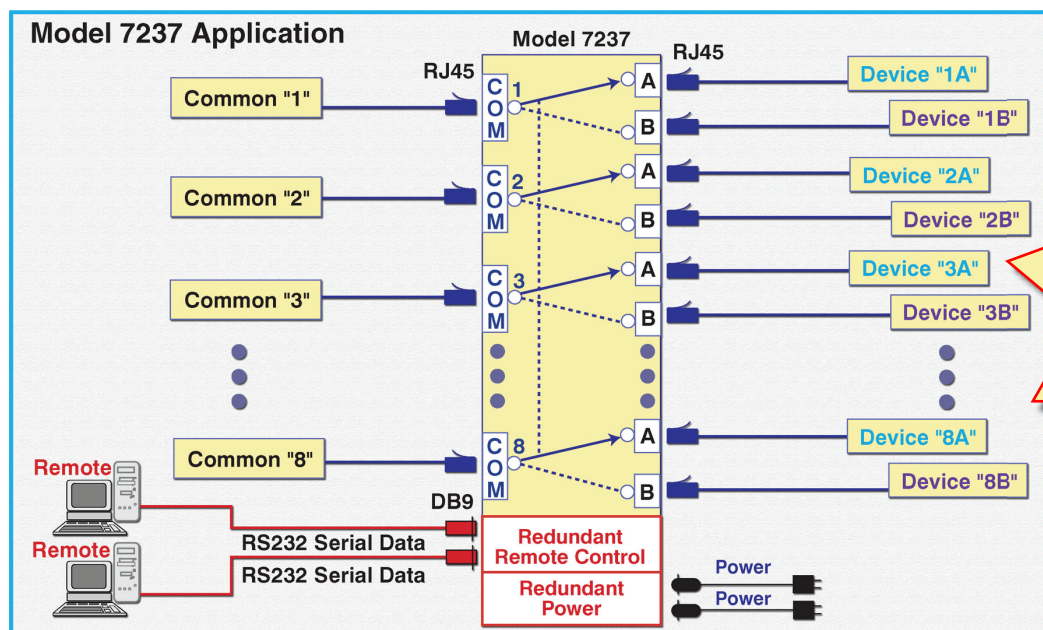
DISPLAY: (2) LED's indicate switch position and power.

CONTROL: (1) Pushbutton control allows local switching.

DIMENSIONS: Rackmount configuration 19" W x 3.5" H x 14" D.

WEIGHT: Approximately 3.5 lbs

OPTION: WIDE RANGE POWER SUPPLY: Model 7507(Cat. No. 517507) 110VAC-230VAC, 50Hz-60Hz in place of the standard 110/120 VAC, 60Hz power supply.



**YES,
Custom length
and various
color RJ45
Cat5
cables
are available.
Quick delivery!**