

Model 7241S DB25 A/B/C Switch / Rackmount with 10-BASE-T Secure Setup, Remote Interface
• **IP Addressable**

Model 7241S Introduction

The Model 7241S Single Channel RS232/RS530 DB25 A/B/C Switch provides one channel switching in a low profile, 19-inch 1U rack unit. The user has the capability of sharing a single DB25 interface device connected to the Common port among three other devices connected to the "A", "B", and "C" ports.

The switch may be controlled locally by manually operating the front panel push button or remotely over the 10-Base-T RJ45 remote port located on the rear of the unit. The front panel LED display indicates the switch position, unit power status, and network status.



Model 7241S Operation

The switched DB25/Female ports (A, B, C, and Common) are transparent to all data. The ports may be switched via the front panel pushbutton or the remote control port on the rear of the unit. Remote switching of the unit is done through the 10-BASE-T Control port on the rear panel. This control interface has an IP address and listens on the standard TELNET port (23) for incoming connection.

Features:

- **Secure Setup / configuration access limited by password protection.**
- Local switching via front panel pushbutton.
- All 25 pins of the DB25 interface are switched.
- DB25 female ports are located on the rear panel; one each for position "A", "B", "C", and "COMMON."
- Switch maintains position and continues to pass data during power loss.
- Password protected remote switching via 10-Base-T remote command interface.
- Switch monitors remote contact port for connection.
- Remote command for lock out of front panel pushbutton.
- Remote command for query of current switch state.
- Network Connection Status and Link LED's on front

MODEL 7241S SPECIFICATIONS

Port Connectors:

(4) DB-25(F) Ports, A, B, C, and COMMON on rear panel.

Control Connector:

(1) RJ45 Jack on rear panel.

Manual Control:

(1) Front panel pushbutton

Power:

115VAC / 60Hz, UL approved wall mount supply.

Display:

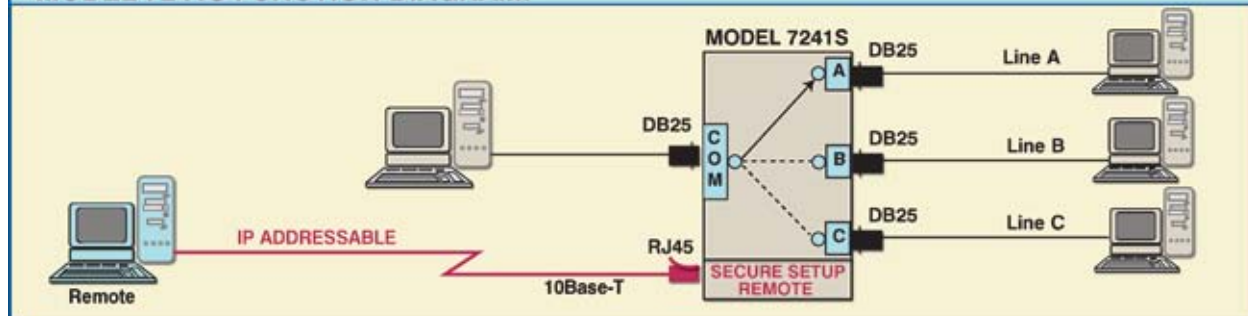
(3) Red LEDs display switch position and indicate power presence.

(2) LEDs display STATUS and LINK.

Dimension:

1.75"H x 19"W x 8"D

MODEL 7241S FUNCTION DIAGRAM:



VISIT OUR WEBSITE <http://www.ElectroStandards.com>