

PathWay® Model 7268 Single Channel HD15 A/B Switch with Serial Remote Control Port

FEATURES:

- Permits data to pass through on all pins of the HD15 connector interface: from A to COM in the A position; B to COM in the B position.
- Connectors A, B, COM are HD15/F connectors.
- Switches all 15 pins simultaneously.
- Latching relays maintain connection and switch position even during power failure.
- Remote control via DB9/M RS232 serial port on the rear panel.



INTRODUCTION:

The Model 7268 Single Channel HD15 Interface A/B Switch provides single channel switching in a low profile, 19-inch 1U rack unit.

The Model 7268 allows the user the capability of sharing a single HD15 interface device connected to the Common port among two other devices connected to the "A" and "B" ports

The switch may be controlled locally by manually operating the front panel push button(s) or remotely from the DB9/male serial interface Control port located on the rear of the unit. The front panel LED display indicates the switch position and unit power status.

OPERATION: Switched Ports / Interface: The switched HD15/Female ports (A, B, and COMMON) are transparent to all data. The ports may be switched via the front panel push button or the remote control port on the rear of the unit.

SWITCH CONTROL: The switch position may be controlled manually from front panel push button controls or remotely from the DB9/male Control connector located on the rear of the unit.

LOCAL SWITCHING is achieved by simply pressing the front panel push button and the switch will change to the newly selected position as indicated by the front panel LED's.

REMOTE SWITCHING of the unit is done through the Control port on the rear panel. The Control port provides switch control based on an ASCII character command set sent via RS232 interface to the Control port connector. The ASCII control character " ^ A " (where " ^ " indicates a control character obtained by depressing the [A] key and the [CTRL] key simultaneously) causes the unit to switch to the "A" position. The ASCII control character " ^ B " (obtained by depressing the [B] key and the [CTRL] key simultaneously) causes the unit to switch to the "B" position.

SPECIFICATIONS:

PORT CONNECTORS: (3) HD15 (F) connectors labeled A, B, and COMMON.

FRONT PANEL CONTROL: (1) Manual pushbutton allows local switching.

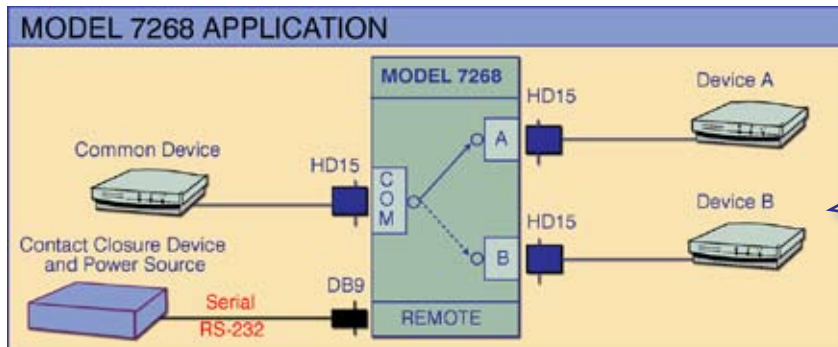
DISPLAY: (2) Front panel LED's display switch position and power status.

REMOTE CONTROL: (1) DB-9 male connector on rear panel accepts ASCII RS232 Serial Data for Remote Control operation.

POWER: UL approved 110 /120 VAC, 60 Hz wall mount power module supplies 12 VAC, 500mA to the unit.

DIMENSIONS: Desktop, 19.0" W x 8.0" D x 1.75" H.

WEIGHT: Approximately 4.0 lbs



**Be sure to order
your HD15 cables
along with the
switch.
Custom length
available.**