

## Model 7280 HD15 & DB9 Crossover Toggle Switch with Remote Contact Control

The Model 7280 HD15 & DB9 Crossover Toggle Switch with Remote Contact Control allows two pairs of compatible devices to exchange interconnections. The switch can be manually controlled via the front panel toggle switch or remotely controlled via the rear panel screw terminal Remote port. The remote port screw terminal supports 14/16 AWG wiring.

Each channel (A, B, C, D) contains one HD15 port and one DB9 port. Front panel LEDs display the current switch position: Normal or Crossover. In the "Normal" position, A connects to C and B connects to D. In the Crossover position, A connects to D, and B connects to C. When the toggle switch is in the "Crossover" position, remote contact control is disabled.

Additionally, the switch features side-plate mount holes. There is a separate power supply for the Model 7280. One end of the cord plugs directly into the rear panel connector labeled Power, the other end plugs into a 110 VAC, 60 Hz power outlet. Power to the unit is 12 VAC.



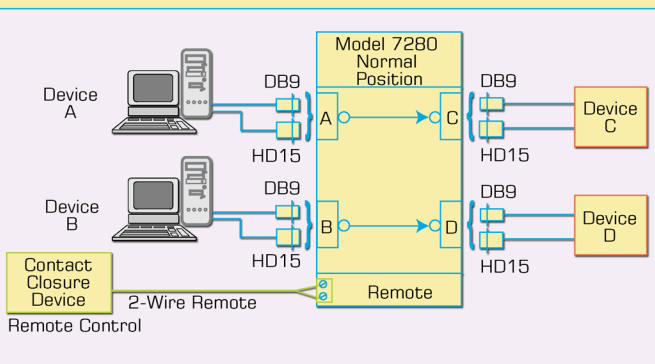
### Model 7280 Features:

- HD15 video connector interface and DB9 Serial connector interfaces for each of the A, B, C, D ports.
- All (24) signal lines of the combination interface are supported.
- Local switch position control via toggle switch, or remote control via contact closure across screw terminal Remote port.
- LEDs display switch position Normal or Crossover, and power status.
- Connection through the switch, and switch position are maintained in event of a power loss.
- Unit has mounting holes to mount on left or right side plate.

### Specifications

**A, B, C, D Connectors:** (4) HD15 video connectors, (4) DB9 Serial Interface connectors on rear panel.  
**Controls:** (1) Manual toggle switch on front panel.  
**Display:** (2) Front panel LED's display switch position.  
**Power:** UL approved, Wall Mount Module, 115 VAC, 60 Hz.  
**Remote:** Remote port screw terminals accept 2-Wire 14/16 AWG wiring.  
**Dimensions:** 1.75" H x 8" W x 8" D.  
**Weight:** 2.5 lbs

### Model 7280 "Normal" Position



### Model 7280 "Crossover" Position

