

Model 7284, 2-Position Multi-Peripheral A/B Sharing Switch, PS/2 Mouse, PS/2 Keyboard, and USB Combination Interface, w/Remote Control - Side Plate Mount

Electro Standards Laboratories' Model 7284 Multi-Peripheral A/B Sharing Switch with Remote Contact Control provides a powerful and versatile tool to manage switching requirements. **It switches mouse, keyboard and USB ports simultaneously.** The switch can be manually controlled via the front panel or remotely controlled via the rear panel screw terminal Remote port. Each channel, A, B, and COMMON, contains a 6-Pin MiniDIN Female PS/2 Mouse port, one 6-Pin MiniDIN Female PS/2 Keyboard port, and one USB port.

Model 7284 Features:

- 6-Pin MiniDIN PS/2 Mouse Interface; 6-Pin MiniDIN PS/2 Keyboard interface; and USB connector interface grouped and switched - two position A, B ports
- Mouse and Keyboard emulation as required; USB connector, all pins switched.
- Local switch position control via toggle switch on front panel, or Remote control via transition to open or transition to close across screw terminal Remote port.
- Remote port screw terminal to support 14/18 AWG wiring.
- A/B switch control from front panel toggle switch possible at all times.
- LED's display switch position A or B and power status.
- Connection through the switch, and switch status maintained during power loss to unit.
- Enclosure approximate size: 8" W x 1.75" H x 8" D.
- Unit has mounting holes to mount on right or left side plate.
- Power from 24 VDC source. (not included with unit).
- Panel mount power connector 2 position Phoenix (mating connector included).



Model 7284 Specifications:

SWITCHED CONNECTORS ON REAR PANEL:

- (3) Six-Pin MiniDIN (F) Connectors PS/2 Mouse Ports labeled A, B, and COMMON.
- (3) Six-Pin MiniDIN (F) PS/2 Keyboard Ports labeled A, B, and COMMON.
- (3) USB Ports labeled A, B, and C (for COMMON)

CONTROLS:

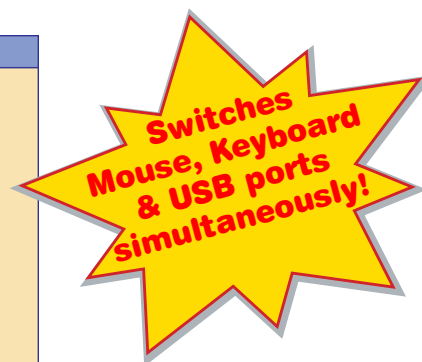
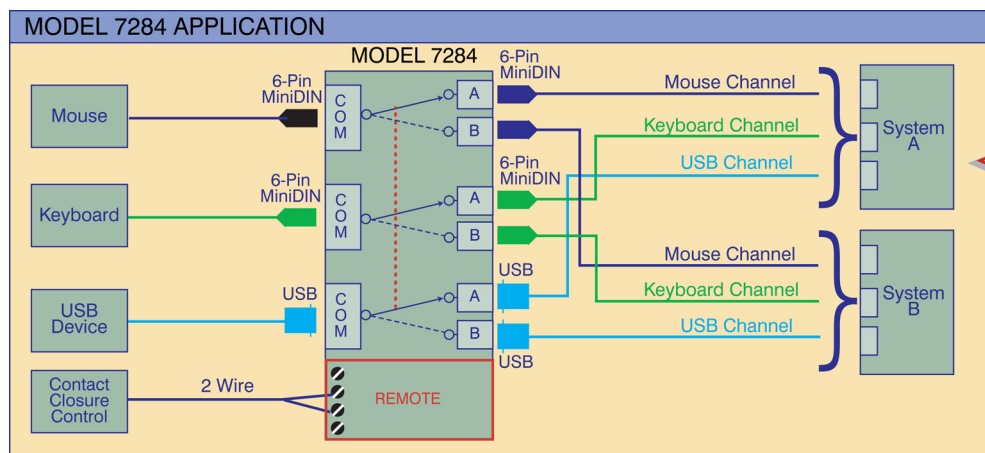
Front Panel, (1) Toggle for A/B Switch Control.
Rear Panel, (1) 4-Position Screw Terminal Strip for Remote Contact Closure.

DISPLAY: Front panel, (2) LED's (indicate switch position) labeled A and B.

POWER: Rear Panel, (1) 2-Pin input power connector (mating connector included). Accepts 24 VDC to power the unit. A power supply is not included with the unit.

DIMENSIONS: 1.75" H x 8.0" W x 8.0" D

WEIGHT: 2.5 lbs.



Be Sure to order data cables!