

PathWay Model 7343 Cat5e RJ45 A/B Switch with Remote Control Via Contact Closure

- Provides Cat5e Performance

INTRODUCTION

The Model 7343 is a Cat5e, RJ45 Interface A/B Switch. It provides category 5e performance. Each of the A, B, and COMMON ports are RJ45. The switch connects a workstation or device between two other devices or networks. The internal circuitry insures isolation between the A and B devices / networks. A great solution for fallback network applications. A front panel button changes the switch position eliminating the need to plug and unplug patchcords thus minimizing connector wear. Switch position status is displayed on the front panel LEDs.

SWITCH CONTROL: The switch position may be controlled manually from front panel pushbutton control or remotely from the DB9/Female connector located on the rear of the unit.

Local Switching is achieved by simply pressing the front panel pushbutton and the switch will change to the newly selected position as indicated by the front panel LED's.

Remote Switching of the unit is accomplished through contact closure across pins 4 & 5 of the DB9/female Remote port on the rear panel. A transition to open contacts across pins 4 & 5 of the DB9 connector causes the Model 7343 to switch to the "A" position; a transition to contact closure across pins 4 & 5 of the DB9 connector causes the Model 7343 to switch to the "B" position. Upon initial power to the unit, the unit will read the remote port to determine power up position state. If there are no connections to the Remote port connector, pins 4 & 5 are open, thus the unit will default to the "A" position.

FEATURES:

- Great solution for fallback applications.
- Interface meets Category 5e performance (10/100 networks).
- Local switch position control via pushbutton on front panel, or remote control via contact closure.
- RJ45 ports are transparent to all data.
- (3) RJ45 connectors A/B/COM, all 8 signals switched.
- Switch maintains connection during power loss.
- LED indicators display switch position and power status.
- REMOTE port DB9 female.
- EMC: Rugged aluminum case provides EMI/RFI shielding.
- Expected life, minimum operations, 10⁸.
- Switch time approximate 3.5 msec.
- Custom length data cables available.



SPECIFICATIONS:

PORT CONNECTORS: (3) RJ45(F) ports A, B, and COMMON.

COMPLIANCE: Interface meets or exceeds Category 5e performance.

FRONT PANEL CONTROL: (1) Pushbutton to select port A or B.

DISPLAY: (2) Red LEDs display switch position and indicate power status.

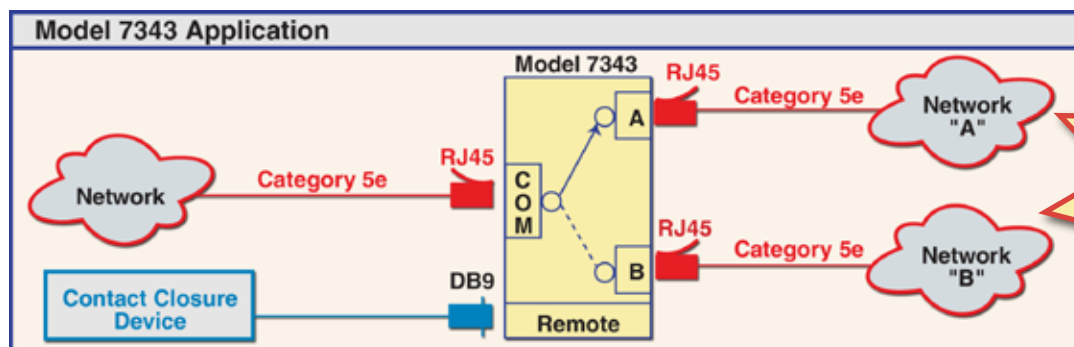
SUPERVISORY REMOTE: (1) DB9/female dry contact closure.

POWER: UL approved 115 VAC, 60 Hz wall mount power module supplies 12 VDC, 500mA to the unit.

DIMENSIONS: Rackmount Configuration, 19.0" W x 1.75." H x 8.0" D.

WEIGHT: Approximately 4.5 lbs.

WIDE RANGE POWER OPTION AVAILABLE: (Cat No 517277) CE and UL listed wall mount power module, 100VAC/240VAC, 50Hz/60Hz in place of standard 115VAC or 120VAC power module. Ideal for international applications.



Category 5e Patchcords of various color and length in stock!