

## PathWay® 7353 Tri-Channel RJ45 Cat 5 A/B/Off-Line Switch, with Remote Control via Contact Closure

### INTRODUCTION

The PathWay® Model 7353 Tri-Channel RJ45 Cat5 A/B/Off-line Switch with Remote Contact Control allows the user the capability of accessing two separate devices, ports A & B, via connection through a device connected to the Common port for each of the switch's three channels.

The switch may be controlled remotely from a DB9/F port located on the rear of the unit using contact control. Switch position states may be attained via the front panel LED displays.

### FEATURES:

- The switch ports are transparent to all data.
- All pins of the RJ45 interface are switched.
- Each channel is an individual switch that is commanded separately from the other switches in the unit.
- **Exclusive Remote contact control to switch the position of each individual channel (No front panel control).**
- Each channel switches to Off-Line on power loss.
- Front panel LEDs display the current switch position and power status.
- Tested for Cat 5 compliance.
- Custom length and color RJ45 Cat5 cables available.



### Specifications:

**CONNECTORS:** (9) Shielded RJ45(F) connectors for A, B and COMMON of channels 1, 2, and 3.

**REMOTE CONTROL:** (1) DB9(F) Connector accepts contact control signals.

**DISPLAY:** (6) LED's on front panel indicate switch position and power status.

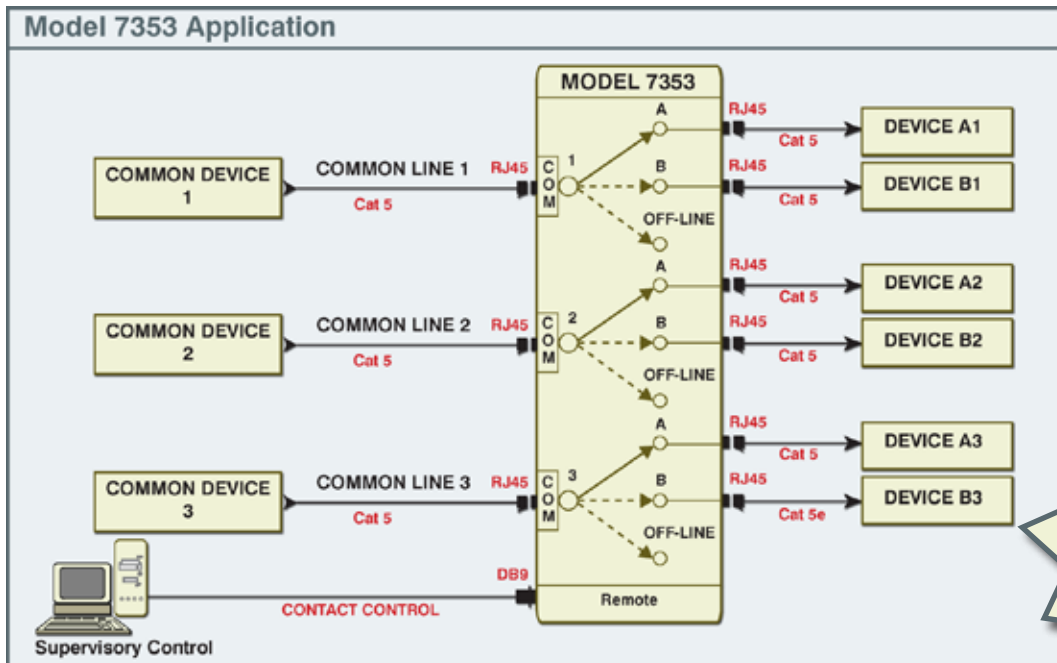
**POWER:** UL Approved 120VAC, 60Hz wall mount power module supplies 12 VDC, 500 mA to the unit.

**DIMENSIONS:** 19" W x 1.75" H x 8" D.

**WEIGHT:** 4.5 lbs.

### OPTION: WIDE RANGE POWER MODULE

(Cat No 517277) CE and UL listed table mount power module, 100VAC/240VAC, 50Hz/60Hz in place of standard 115VAC or 120VAC power module. Ideal for international applications.



**Order  
Custom Length  
Cat5 Cables For  
Optimum  
Performance!**