

PathWay® Model 7465 8-Channel RJ45 A/B Switch with 10/100 BASE-T LAN TELNET Access

- IP Addressable

INTRODUCTION

The PathWay® Model 7465 8-Channel RJ45 A/B Switch with 10/100 Base-T LAN Telnet Access allows the user the capability of sharing a device connected to the "COMMON" port among two other devices connected to the "A" and "B" ports for each channel. The Model 7465 has local and remote access functionality. Remote access can be accomplished using an Ethernet 10/100 Base-T connection and Telnet commands.

FEATURES:

- Independently control each channel either locally via front panel pushbuttons or remotely via the REMOTE port.
- All 8 pushbuttons located on the front panel.
- Four leads switched, pins 2, 4, 5, and 7.
- Switch ports are transparent to all data.
- Front panel LED's indicate switch position and power status.
- Remote port is 10/100 Base-T RJ45 Ethernet port. Communicate with switch via TELNET session. User setup allows assignment of IP address for the switch unit.
- Remotely select switch position, query switch position, and lockout front panel pushbuttons.
- During power loss, switch continues to pass data in last position.
- **Expanded storage temperature, -28° to +60° C (based on component spec analysis).**
- Custom length RJ45 cables available. See Cat. No.'s 990328 thru 990336.
- ★ **Municipalities, schools, government: On GSA Schedule!**



Specifications:

PORT CONNECTORS: All (24) RJ45(F) ports are located on the rear panel. (8) "A" ports, (8) "B" ports, (8) "Common" ports.

FRONT PANEL CONTROLS: (8) Manual pushbuttons allow local switching.

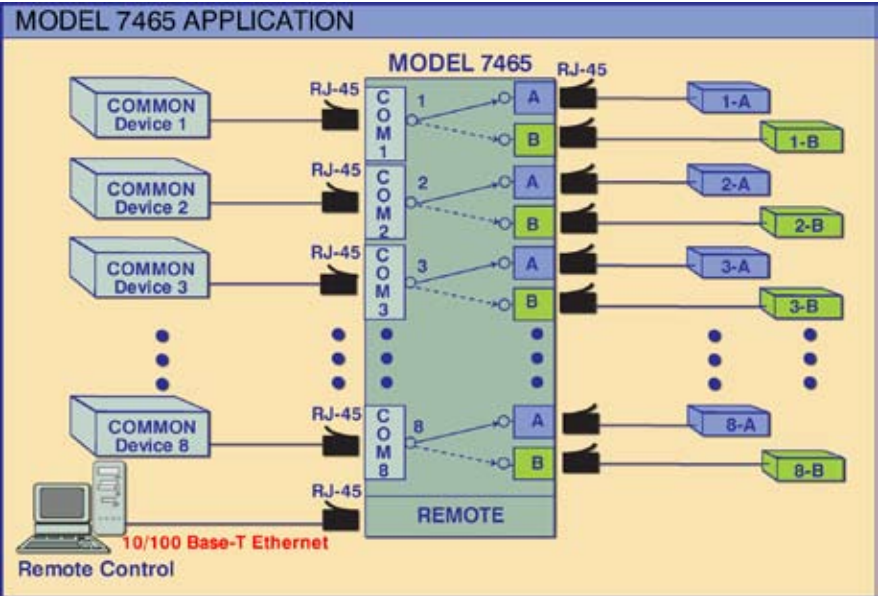
DISPLAY: (16) Front panel LED's display switch position and power status.

REMOTE CONTROL: (1) RJ45(F) Connector on rear panel accepts 10/100-Base-T LAN Access Ethernet for Remote Control operation.

POWER: (Cat No. 520552) CE and UL listed wide voltage range and expanded storage temperature range, table mount power module and power cord is supplied as standard with the Model 7465. Input: 100VAC/240VAC, 50Hz/60Hz. Output: +12VDC, 3.5A.

DIMENSIONS: 19" W x 1.75" H x 10.0" D. (48.3 x 4.4 x 25.4 cm)

WEIGHT: 4.5 lbs.(2.0 Kg)



NO REMOTE CONTROL?

For a similar switch without the Remote Control, see Model 7462, Cat. No. 307462.

Cat5e patchcords... For Your Switch In stock and ready to ship!

Color	Cat. No.
Black	990328-XXX FT
Blue	990329-XXX FT
Green	990330-XXX FT
Orange	990331-XXX FT
Purple	990332-XXX FT
Red	990333-XXX FT
Grey	990334-XXX FT
White	990335-XXX FT
Yellow	990336-XXX FT