

QuickSwitch® 4181 SC Duplex 100BaseFX Auto Fallback Switch w/Remote Access

• Auto Fallback Feature Increases Network Uptime!

Auto FALLBACK Operation

The QuickSwitch® 4181 SC Duplex A/B 100BaseFX Auto Fallback Switch can operate in either of two modes, as a Fallback Switch or as an A/B Switch. In the Fallback mode, the unit monitors its environment for SD (signal detect) to determine its switch position. If the primary link is lost, the unit sends an alarm notification message; when the fiber link is restored, an acknowledgement message is also sent. In the A/B Switch mode, the unit can be switched from its front panel pushbutton, or remotely by communicating with the unit via its Remote Control Supervisory Port located on the rear panel.

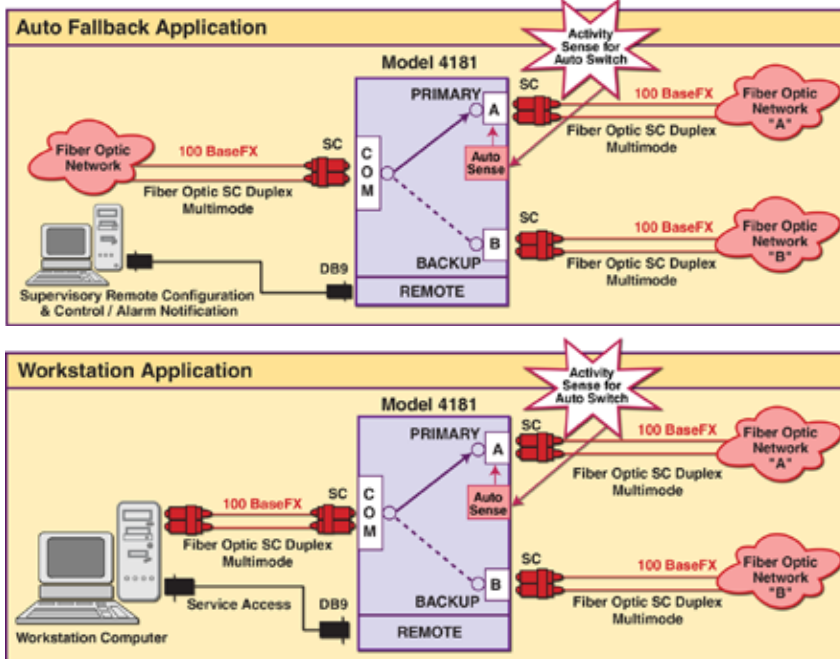
While in the Fallback mode, the unit will maintain connection from the Common port to port A while SD is present on the A port. If SD is absent or lost, the unit automatically switches to the fiber link connected to port B. Once SD has been restored and is sensed at port A, the switch automatically returns to the A position. The unit can be setup to respond differently to the loss and recovery of the primary fiber link A.

FEATURES:

- Automatically detects faulty line and switches to a backup/secondary fiber optic network.
- Supports 100BaseFX fiber optic networks.
- All ports are SC Duplex multimode fiber optic ports.
- Sends alarm signal from RS232 port upon faulty line detection and recovery.
- Remote Control Supervisory Port allows communications with the switch to configure action upon source loss and recovery.
- Remote Port also allows user override switching and can place the unit in A/B Switch mode for manually switching.
- LED display indicates switch position and power presence at a glance.
- Front panel pushbutton switch changes the switch position when the unit is in the A/B Switch mode.



**Commercial-Off-The-Shelf (COTS)
or Customized Switches Available**



SPECIFICATIONS:

PORT CONNECTORS: (3) SC Duplex fiber optic connectors labeled A, B, and COMMON.

FIBER OPTIC INTERFACE:

Wavelength 1300nm, speed 100 Mbps, multimode fiber, full duplex transmission, Fiber Size 62.5/125 micron.

FRONT PANEL CONTROL: (1) pushbutton to select network port.

DISPLAY: (2) Status red LED's indicate switch position.

REMOTE: (1) DB9 female connector on rear panel accepts ASCII RS232 Serial Data for Remote Control operation.

POWER: UL approved 115 VAC, 60 Hz wall mount power module supplies 12 VDC, 500 mA to the unit.

DIMENSIONS: Desktop: 7.5"W x 2.0"H x 7"D. (19.1 X 5.1 X 17.8 cm)

WEIGHT: Approx. 2.8 lbs. (1.3 kg)