

QuickSwitch® 4185 Fiber Optic SC Duplex, Multimode Switch / Converter

- Provides Fiber Optic Link Backup

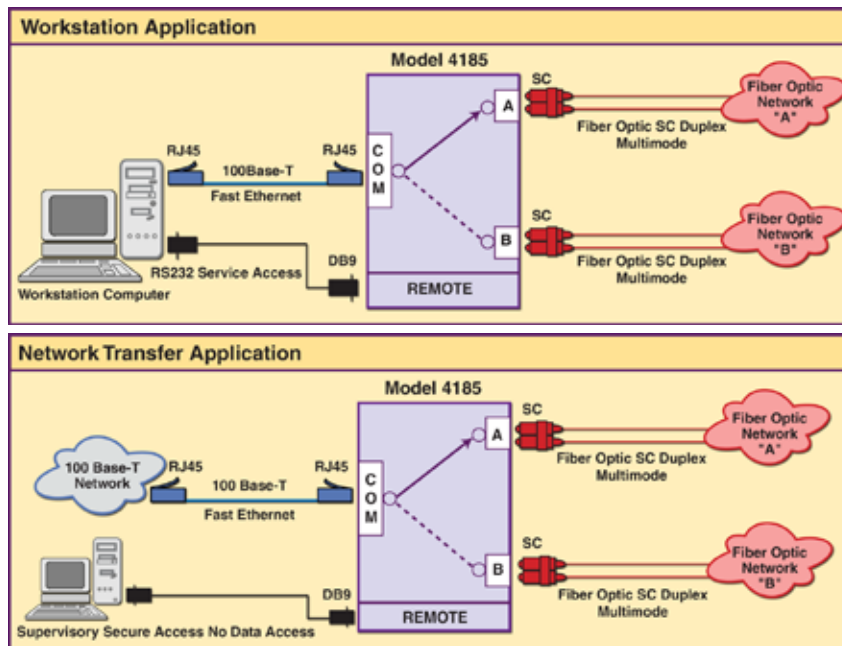
INTRODUCTION

QuickSwitch® 4185 Fiber Optic Switch / Converter allows the user the capability of accessing two separate fiber optic 100 Base FX ports (ports A and B) from a 100 Base TX Fast Ethernet port (COMMON port). The fiber optic / twisted pair copper conversion is built in! The unit is fully compliant with the 802.3u 100 Base TX/FX standard.

Ports A and B are 1300nm, SC Duplex, Multimode, 100 Base FX fiber optic ports. The COMMON port is a 100 Base TX Fast Ethernet port. The selected fiber optic port will convert and pass data to and from the 100 Base TX COMMON port. The internal circuitry insures isolation between the A and B devices / networks. A great solution for conversion and fail-back applications.

A front panel button changes the switch position eliminating the need to plug and unplug fiber patchcords thus minimizing connector wear. Switch position status is displayed on the front panel LEDs.

The unit also includes an RS232 serial security enhanced Supervisory Remote Port. Upon proper authentication, a terminal or computer in terminal mode connected to this port can communicate with the unit, determine its status, change the switch position as desired, and/or lockout front panel switching capability. A modem can also be connected to this port for remote access to the switch. Access to the Supervisory Remote Port feature is password protected. An optional graphical user interface (GUI) software is also available for use with a computer running Windows operating system.



SPECIFICATIONS:

PORT CONNECTORS: (2) SC Duplex fiber optic connectors labeled A and B. (1) RJ45 100Base-TX COMMON.

FIBER OPTIC INTERFACE:

Wavelength 1300nm, speed 100 MBPS, multimode fiber, full duplex transmission, Fiber Size 62.5/125 micron.

FRONT PANEL CONTROL: (1) pushbutton to select port A or B.

DISPLAY: (2) Red LED's display switch position and indicate power presence.

SUPERVISORY REMOTE: (1) DB9 female connector on rear panel accepts ASCII RS232 Serial Data for Remote Control operation..

POWER: UL approved 115 VAC, 60 Hz wall mount power module supplies 12 VDC, 500 mA to the unit.

DIMENSIONS: Desktop: 7.5"W x 2.0"H x 7"D

WEIGHT: Approx. 2.8 lbs.