

QuickSwitch® 4193 8-Way Fiber Optic Switch/Converter

INTRODUCTION:

The **QuickSwitch®** 4193 8-Way Fiber Optic Switch/Converter allows the user the capability to access any one of eight separate fiber optic devices or networks via ports 1/2/3/4/5/6/7/8, from a workstation or device connected to the COMMON 10/100 BASE TX port. All eight of the fiber optic ports are 1300nm 100Mbps ST duplex multimode ports. The built in electronics will automatically convert the common port to 10/100 Base-T twisted pair media. SC Duplex is available. Custom configurations are available.

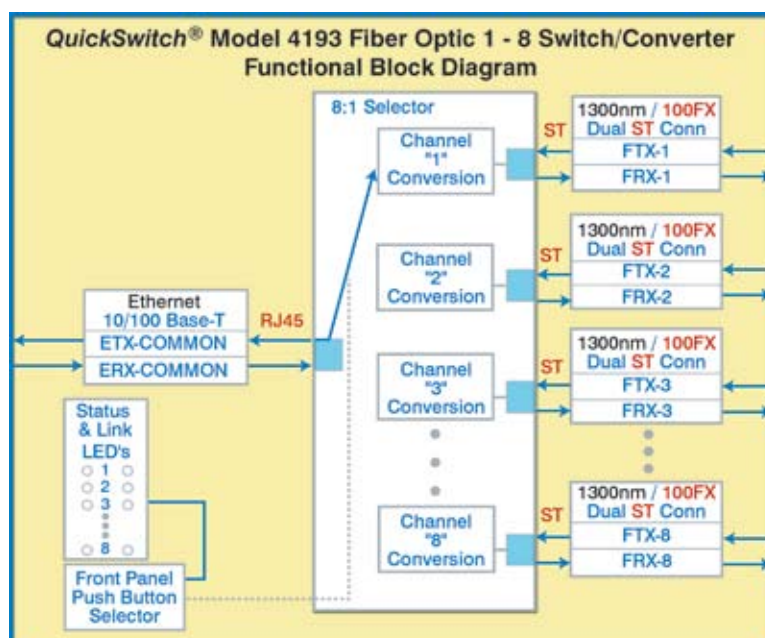
QuickSwitch® can be controlled from front panel pushbuttons only. Front panel control is as simple as pushing the button of the desired network port. LED indicators display the switch position status, as well as the presence of the fiber optic link.

FEATURES:

- Access any one of eight separate fiber optic networks from one computer.
- Simple pushbutton switching eliminates plugging and unplugging fiber optic patchcords, minimizing connector wear and increasing system reliability.
- All eight network ports are 1300nm 100 Mbps ST duplex multimode fiber optic ports.
- The COMMON port converts the selected fiber optic network port to the 100BaseTX interface.
- Internal circuitry insures isolation between networks / devices.
- Acts as a signal source, no optical signal loss.
- LED display indicates switch position and fiber link presence at a glance.
- Spare power supply available, P/N 522586.
- Other fiber optic interface network ports are available.
- A 4-Port model is available. See Model 4189, Cat. No. 303189.



COTS or Customized Switches Available
(Call 401-943-1164)



SPECIFICATIONS:

CONNECTORS: Ports 1- 8 are 100 Base FX fiber optic ST duplex ports. COMMON port is 10/100 Base-T RJ45.

FIBER OPTIC INTERFACE: Wavelength 1300nm, speed 100Mbps, multimode fiber, full duplex transmission.

FIBER SIZE: 62.5/125 Micron.

CONTROLS: (8) Pushbuttons to select network port. (No remote port).

DISPLAY: (8) Status red LED's; (8) Link red LED's.

POWER: UL approved 100/240VAC, 50/60Hz wall mount power module supplies power to the unit, P/N 522586.

DIMENSIONS: 11"W x 2.7"H x 8.5"D. (27.9 x 6.9 x 21.6 cm)

WEIGHT: Approximately 5 lbs. (2.3 kg)