

QuickSwitch® 6257 Quad Channel All-Optic A/B Switch Multimode ST Duplex 62.5 Micron with Remote Control Port

INTRODUCTION:

The *QuickSwitch*® 6257 Quad Channel Fiber Optic A/B Switch allows devices connected to “COMMON” port of each channel access to the “A” or “B” port on each channel. All channels are switched simultaneously. The *QuickSwitch*® 6257 Fiber Optic switch is enclosed in a standard 2U rack mount casing. The dimensions are 19”W x 3.5”H x 8”D and the unit weighs approximately 10 lbs.

The switch may be controlled locally by manually operating the front panel push button or remotely from the DB9 Custom Remote Control port located on the rear of the unit. The DB9 Remote port provides control by signal transition logic and allows the user to both control and monitor switch position remotely. The front panel LED display indicates all of the switch positions and unit power status.

FEATURES:

- Fiber switch employs mirror technology.
- **Wavelength: 1300 nm.**
- The switch ports are transparent to all data.
- Switch maintains position on power loss and continues to pass data.
- Front panel pushbutton control.
- Remote control via the custom remote port.
- Remote ports allow switch position monitoring.
- Front panel LED’s for display of current position of all channels as well as the power status.
- All A, B, and COMMON ports are ST Duplex, Multimode 62.5/125 µm.
- **Custom length ST Duplex cables available.**



SPECIFICATIONS:

PORT CONNECTORS: (24) fiber optic connector array provides A, B, and COMMON connector to each of 4 channels.

REMOTE PORT: DB-9 female connector on rear panel accepts transition signals for remote operation.

POWER: UL Approved wall mount power module, 120 VAC, 60 Hz supplies 12 VDC, 500 mA to the unit.

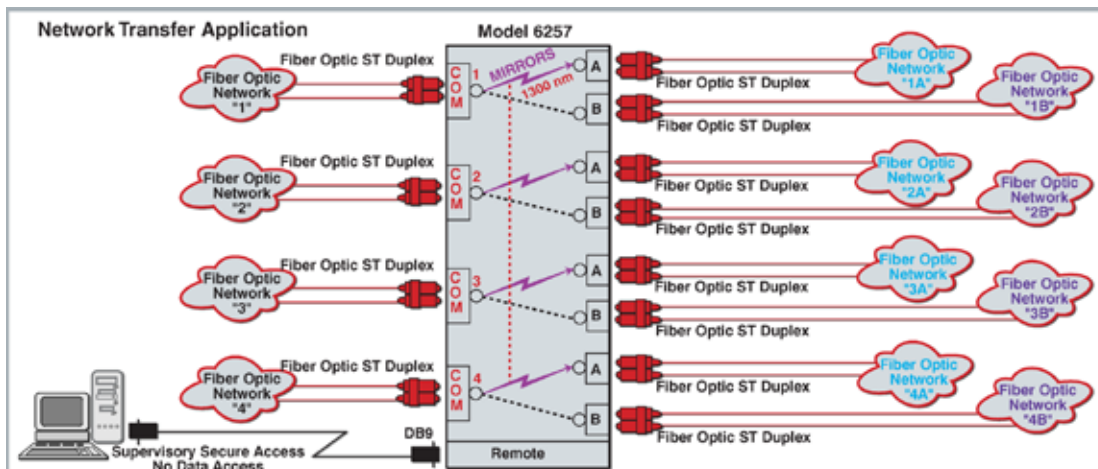
DISPLAY: (2) Red, front panel LEDs’ indicate switch position, status, and power.

CONTROL: (1) Pushbutton control, front panel, allows local switching.

DIMENSIONS: Rackmount Configuration
19.0”W x 3.5”H x 8”D

WEIGHT: Approx. 10 lbs.

WIDE RANGE POWER OPTION AVAILABLE: (Cat No 517277) CE and UL listed table mount power module, 100VAC/240VAC, 50Hz/60Hz in place of standard 115VAC or 120VAC power module. Ideal for international applications.



Don't forget to order your ST Duplex Cables!