

QuickSwitch® 6258 Six-Channel All Optic Online/Offline Switch, LC Duplex with 10 Base-T LAN TELNET Access

INTRODUCTION

The QuickSwitch® 6258 Six-Channel Fiber Optic Online/Offline Switch allows the user to CONNECT each input fiber optic cable to its respective output fiber optic cable or, alternatively, to DISCONNECT the input fiber optic cable from its respective output fiber optic cable. **All channels are switched, individually.** Switching may be accomplished locally by front panel control, or remotely using an Ethernet 10-Base-T connection and Telnet commands. The front panel LED's display switch position, status, and power.

Features:

- Fiber switch employs mirror technology.
- Wavelength is 1300 nm.
- The switch ports are transparent to all data.
- Switch maintains position on power loss and continues to pass data.
- Control of the switch locally or via REMOTE input that accepts 10-Base-T LAN Ethernet connection.
- Remote Telnet control allows switch status monitoring and front panel lockout.
- All fiber ports are LC Duplex, multimode, 62.5/125 μm.
- Front panel LED's display switch position and power status.
- "Keyslots" allow for wall mount or desktop.



SPECIFICATIONS:

PORT CONNECTORS: (12) LC duplex fiber optic connectors labeled ON and OFF. (2 for each of the 6 channels).

WAVELENGTH: 1300 nanometers

REMOTE PORT: (1) RJ45 female connector accepts 10-Base-T LAN connection for remote control switching.

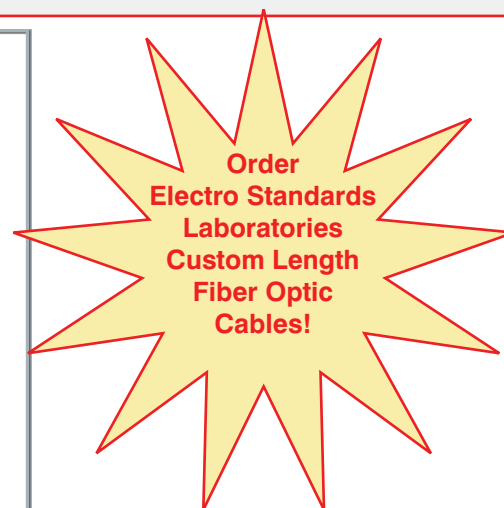
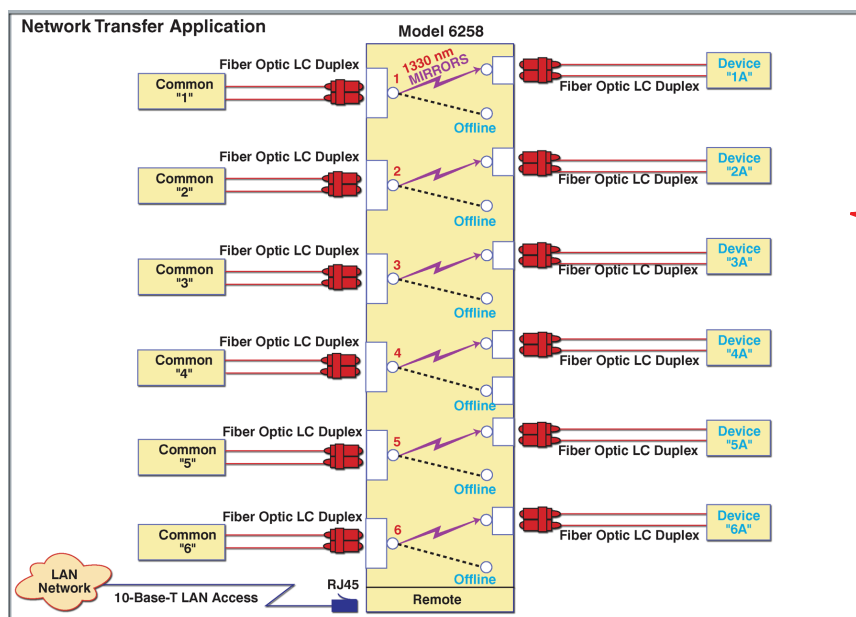
POWER: UL Approved wall mount power module, 120 VAC, 60 Hz supplies 12 VAC, 500 mA.

DISPLAY: (12) Red, front panel LEDs' indicate switch position, status, and power.

CONTROL: (6) Pushbuttons controls allow local switching.

DIMENSIONS: Rackmount Configuration, 16.75"W x 3.5"H x 8"D

WEIGHT: Approx. 4.5 lbs.



... All Electro Standards Labs cables are performance tested and certified!