

QuickSwitch® 6286 Fiber Optic Mirror A/B Switch, 1300 nm SC Duplex, Multimode with Remote

QuickSwitch® 6286 Features

- **Wavelength: 1300 nm.**
- Optical Scalability
- Bit-Rate Transparent
- Service/Protocol Transparent
- A, B, and COMMON SC Duplex Fiber Optic Rear-Panel Connectors
- A/B Front-Panel Pushbutton
- Front-Panel LEDs Display Switch Position
- Remote Control via an RS-232 (DB9) serial port.
- MEMS-Based **Multimode Mirror Switch** provides **Gigabyte** Network Switching

- Keylock Option Available as Model 6286K, Catalog No. 306186K. All other specifications are the same and a keylock is added to the front panel.



COTS or Customized Switches Available
(Call 401-943-1164)

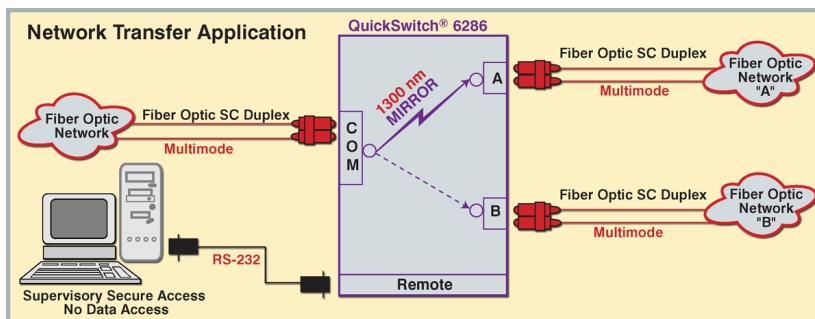
QuickSwitch® 6286 Introduction

QuickSwitch® Multimode SC Duplex A/B, 1300 nm all optical switch, is designed with fiber optic mirror technology. The signal is received by the unit as an optical signal over the fiber strand, is redirected by mirror mechanisms, and leaves the unit as an optical signal over a fiber strand (OOO).

The Model 6286 allows a fiber optic device connected to the unit's SC Duplex COMMON connector to access either of the two fiber optic networks connected to the A, B ports. Switch position can be changed via an A/B front-panel pushbutton, or by a serial RS-232 device connected to the rear panel Remote port. If power to the Model 6286 is lost, the unit will default to the A position and continue to pass data.

QuickSwitch® 6286 Operation

QuickSwitch® 6286's SC Duplex ports are transparent to all data. Corresponding front-panel LEDs indicate the switch position. Position status can also be ascertained from the Remote port connector. Remote switching is accomplished via the DB9 port located on the Model 6286 rear panel.



SPECIFICATIONS:

- WAVELENGTH: 1300 nanometers.
- CONNECTORS: (3) SC Duplex Fiber Optic rear-panel connectors, A, B and COMMON.
- CONTROLS: (1) Front-panel Pushbutton, to select A or B and indicate power presence.
- DISPLAY: (2) Front-panel red LEDs display switch position A or B.
- SUPERVISORY REMOTE PORT: (1) DB9/female serial RS-232 port.
- POWER: 120 VAC / 60 Hz wall mount supply.
- DIMENSIONS: 3"H x 8"D x 8" W.
- WEIGHT: 2.8 lbs.
- STANDARD CONFIGURATION: Desktop.