

# PathWay Model 7234 Quad-Channel RJ45 A/B Switch with Remote Control Port

## INTRODUCTION

The Model 7234 Quad-Channel RJ45 A/B Switch provides four channel switching in a low profile, 19-inch 1U rack unit. **All four channels are switched simultaneously.** Front-panel LED's indicate switch position and power status.

**LOCAL SWITCHING:** Simply press the front-panel pushbutton and the switch will change to the newly selected position as indicated by front-panel LED's.

**REMOTE SWITCHING:** Accomplish the transition from open to closed or closed to open via a single set of contacts connected across pins 1 & 2 of the DB9/Female REMOTE connector port.

A transition to open contacts across pins 1 & 2 of the DB9 connector causes all four channels to switch to the "A" position.

A transition to closed contacts across pins 1 & 2 of the DB9 connector causes all four channels to switch to the "B" position.

Upon initial power to the unit, the unit will read the REMOTE port to determine the power up position state. If there are no connections to the REMOTE port connector, pins 1 & 2 are open, thus the unit will default to all four channels in the "A" position.

## FEATURES:

- Switch ports are transparent to all data.
- All (8) signals of each of the four channels, (32) total signals, switched simultaneously
- Pushbutton control override
- Remote control via DB9/female Control Port on rear panel  
TRANSITION to Open contact = all channels position A  
TRANSITION to Closed contact = all channels position B  
Power-up Default (no remote cable in place) = position A
- Front panel LED's display switch position and power status.
- 19" Rackmount, 1U high (1.75")

### OPTION: WIDE RANGE POWER MODULE

(Cat No 517277) CE and UL listed table mount power module, 100VAC /240VAC, 50Hz/60Hz in place of standard 115VAC or 120VAC power module. Ideal for international applications.



## Specifications:

**DATA CONNECTORS:** (12) RJ45 female connectors; labeled A, B, and COMMON for each channel.

**CONTROL:** (1) Manual Pushbutton allows local switching.

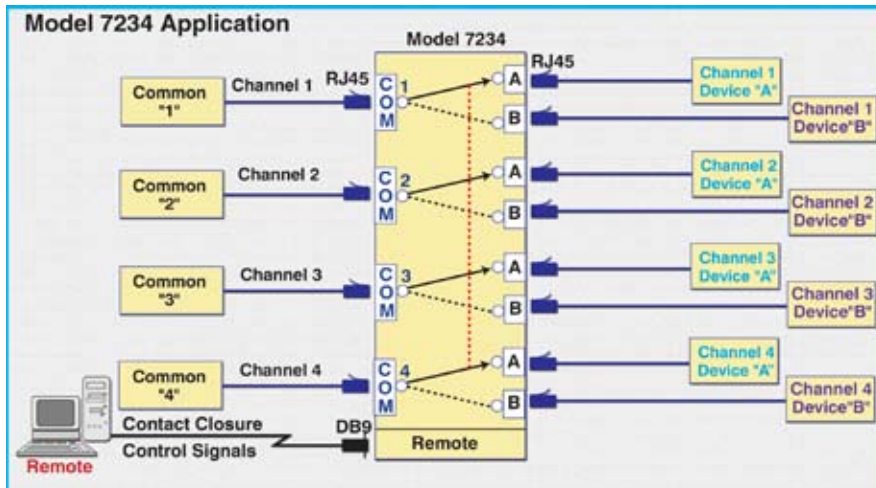
**DISPLAY:** (2) Front panel LED's display switch position and power status.

**REMOTE CONTROL:** (1) DB9 female connector on rear panel accepts contact closure switch commands for Remote Control operation.

**POWER:** UL approved 120VAC, 60Hz wall mount power module supplies 12VDC, 500mA to the unit.

**DIMENSIONS:** 19.0"W x 8.0"D x 1.75"H

**WEIGHT:** Approx. 4.5 lbs.



## Cat5e patchcords... For Your Switch In stock and ready to ship!

Color	Cat. No.
Black	990328-XXX FT
Blue	990329-XXX FT
Green	990330-XXX FT
Orange	990331-XXX FT
Purple	990332-XXX FT
Red	990333-XXX FT
Grey	990334-XXX FT
White	990335-XXX FT
Yellow	990336-XXX FT