

PathWay® Model 7355 Dual Cat5e RJ45 A/B/OFFLINE Switch with 10/100 BASE-T Remote Access and GUI

IP Addressable! Communicate with Switch via Internet Explorer running a PC.

INTRODUCTION

The Model 7355 DUAL CAT5E RJ45 A/B/OFFLINE Switch with 10/100 Base-T LAN Telnet Access and GUI, allows the user the capability of sharing a single port interface device connected to the "COMMON" port among two other devices connected to the "A" and "B" ports for each channel. Remote access can be accomplished using an Ethernet 10/100-Base-T connection and either Telnet commands or Graphical User Interface.

Proper authentication is required for remote access via the 10-Base-T connection. User can monitor status and control switch functions.

FEATURES:

- The switch ports are transparent to all data.
- All pins of the RJ45 interface are switched.
- Interface meets Cat5e performance.
- All switched signals are passed via latching copper contact relays that maintain their position and continuity even in the event of a power loss.
- **Local control of switch position from front panel pushbuttons.**
- Remote Control of the switch position from a 10/100Base-T LAN Ethernet environment.
- Remote Telnet command interface or Graphical User Interface that allow the user to control switch position, lockout front panel access, and obtain switch status.
- Front panel LEDs display switch position for each channel as well as power status.

SOFTWARE FEATURES:

- Access User Interface via standard web browser.
- Login password authentication required.
- Easy to use, simple point and click operation.
- Remotely access to control or monitor the Model 7355 Dual RJ45 A/B/OFFLINE Switch System.
- Users can change the login password and/or the switch's IP address.
- LAN access gives users across the LAN or over the Internet access to control if user network is configured accordingly.



SPECIFICATIONS:

PORT CONNECTORS: (3) RJ45 female connectors labeled A, B, and COMMON for each of the two channels.

FRONT PANEL CONTROLS: (2) Manual pushbuttons allow local switching.

DISPLAY: (4) Front panel LED's display switch position of each channel and power status.

REMOTE: (1) RJ45 female connector on rear panel accepts Ethernet 10/100Base-T connection and either TELNET commands or Graphical User Interface for remote CONTROL operation.

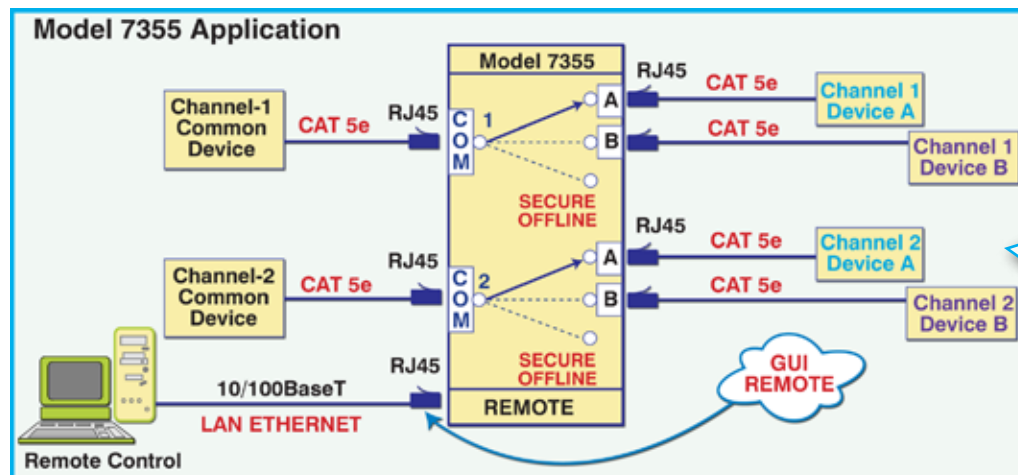
POWER: UL approved wall mount 120VAC, 60Hz power module supplies 12 VDC, 500 mA to the unit.

DIMENSIONS: Rackmount configuration 19" W x 1.75" H x 8" D.

WEIGHT: Approximately 4.5 lbs

OPTION: WIDE RANGE POWER MODULE

(Cat No 517277) CE and UL listed power module, 100/240 VAC, 50/60 Hz in place of standard 115 or 120 VAC power module. Ideal for international applications.



Order
Custom Length
Cat 5e Cables
for optimum
performance!