

PathWay® Model 7470 Single Channel RJ45 Cat5e A/B Switch with SSH and HTTPS GUI Remote

- **SSH: Secure SHell protocol.**
- **HTTPS: Hypertext Transfer Protocol Secure**

INTRODUCTION

The PathWay® Model 7470 Single Channel RJ45 Cat5e A/B Switch with SSH and HTTPS GUI allows the user the capability of sharing a single port interface device, connected to the "COMMON" port, among two other devices, connected to the "A" and "B" ports. Remote Control access can be accomplished using an Ethernet 10/100BASE-T connection and either SSH commands or a secure Graphical User Interface. The Model 7470 is enclosed in a 1U, full rack size, black anodized chassis designed to provide EMI/RFI shielding and fit in a standard 19" rack.



Features:

- Allows quick connection to any one of two RJ45 devices from one COMMON device.
- Eliminates the need to plug and unplug cables.
- The switch ports are transparent to all data.
- All (8) pins of the RJ45 interface are switched.
- Front panel pushbutton control.
- Front panel LED's display present position and power status.
- Certified for Cat5e compliance.
- Control of the switch position from a 10/100Base-T LAN Ethernet environment.
- **Remote Control SSH Command Interface or Graphical User Interface that allows the user to control switch position, lockout front panel operations, and obtain switch status.**
- Remote control of the switch is secured by user login with password protection and TLS/SSL security cryptographic protocols.
- IP addressable.
- Switch maintains last set position on power loss and continues to pass data.
- Attractive anodized black box packaging provides EMI/RFI shielding.
- Custom length RJ45 Cat5e cables available for your switch installation.

SPECIFICATIONS:

PORT CONNECTORS: (3) RJ45 female connectors labeled A, B, and COMMON.

FRONT PANEL CONTROLS: (1) Manual pushbutton allows local switching.

DISPLAY: (2) Front panel LED's display switch position and power status.

REMOTE: (1) RJ45 female connector on rear panel accepts 10/100 Base-T LAN Ethernet, SSH and Secure Graphical User Interface.

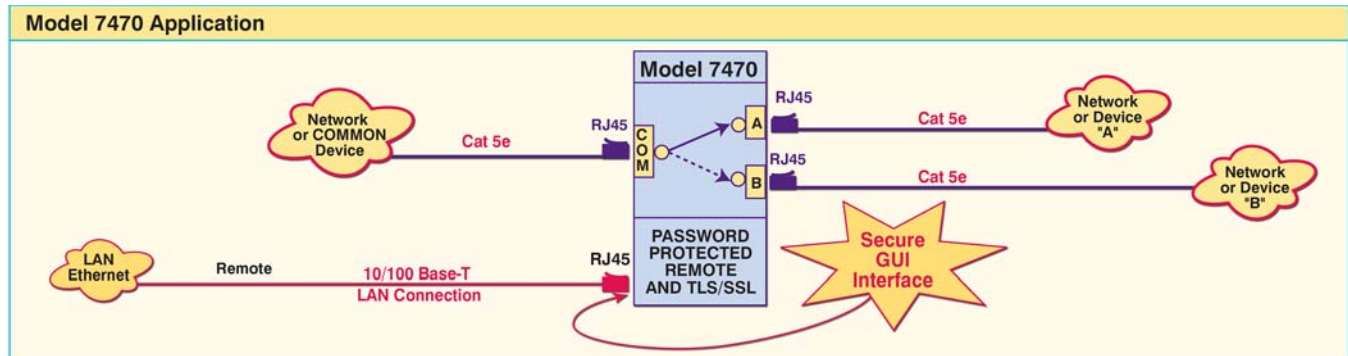
POWER: UL approved 100VAC/240VAC, 50Hz/60Hz wall mount power module supplies 12 VDC, 500mA to the unit. Has 2-prong, US, non-polarized plug.

DIMENSIONS: Rackmount
19.0" W x 1.75" H x 8.0" D. (48.3 x 4.5 x 20.4 cm)

WEIGHT: Approximately 4.2 lbs. (1.9 Kg)

WIDE RANGE POWER OPTION AVAILABLE:

(Cat No 517277) **CE, RoHS, and UL** listed table mount power module, 100VAC/240VAC, 50Hz/60Hz for use in place of standard power module that is included with the unit. Has IEC 60320 C14 inlet. **Ideal for international applications.**



Ethernet Remote Port, I.P. Addressable, with HTTPS GUI

UTILIZING THE USER FRIENDLY REMOTE GRAPHICAL USER INTERFACE SOFTWARE

To connect to the switch from a workstation or computer having access to the LAN that the switch's LAN port is connected to, simply launch a standard web browser and type in the url:

https://<ip address of switch>

Note that the "s" in "https" is required. The Java Applet will automatically be uploaded from the switch upon connection. The environment requirement for the GUI is Java 1.7 and above.



Figure 1: GUI in a Chrome Web Browser

LOGGING INTO THE REMOTE CONTROL GUI

The default username and password to login to the switch is "admin" and "ESL02921", respectively. Any SSH username/password changes made via the Remote Configuration GUI will be accepted here.



Figure 2: Logging into the Remote GUI Control

CHANGING POSITION AND LOCK STATUS

To change the switch position, click on the radio button "A" or "B" as desired. Locking and unlocking the front panel pushbutton can be done by clicking on the "Locked" or "Unlocked" radio button.

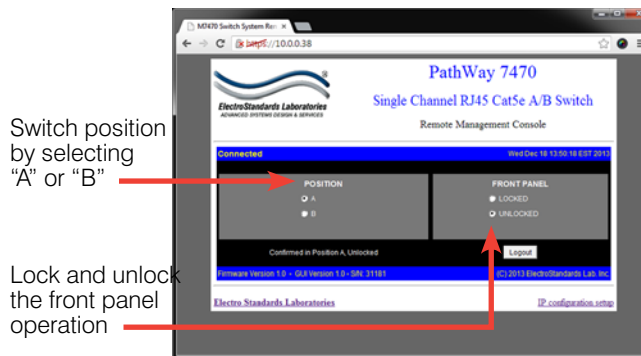


Figure 3: Change the position and lockout from the GUI

QUERYING THE STATUS OF THE UNIT

Once connected, the GUI will stay up-to-date on the current position and status of the unit. Any changes that are made outside of the GUI, such as by pushbutton, will be reflected in the GUI. These changes will cause the radio buttons of the GUI to automatically change to show the new status. The GUI will report the source of the most recent change in the bottom left of the panel.

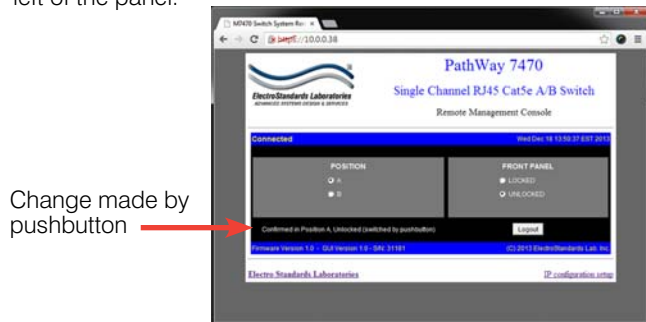


Figure 4: The GUI is alerted to changes in the unit status.

INFORMATION AND IP CONFIGURATION

The Remote Control GUI also provides access to unit information such as the firmware/software version and the serial number. It also provides a link to the Remote Configuration GUI. Note that the Remote Configuration GUI link works regardless of whether the user is logged into the Remote Control GUI or whether the applet loads at all.

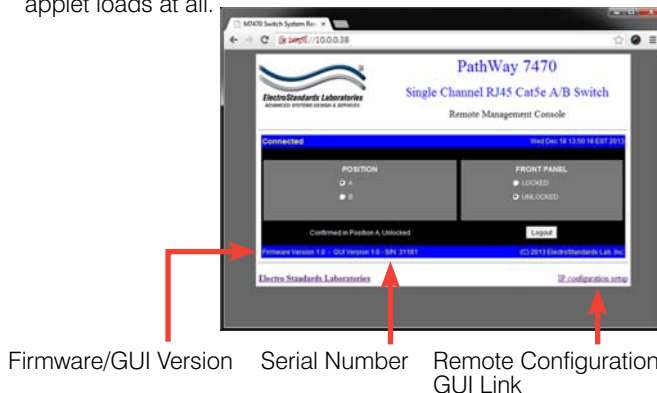


Figure 5: Remote Control GUI Information & Configuration Link.