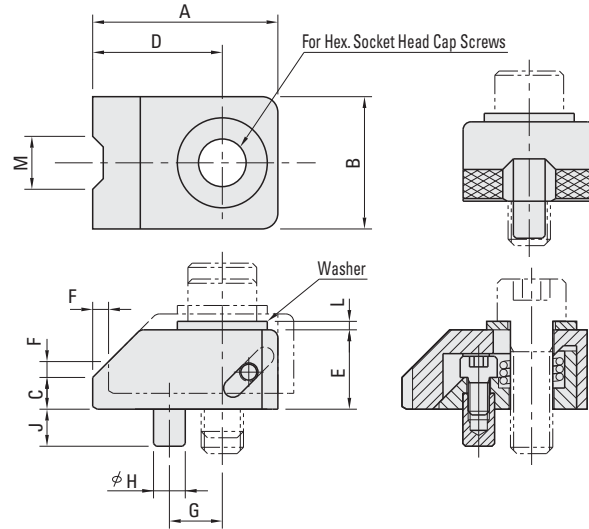
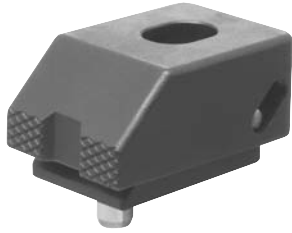
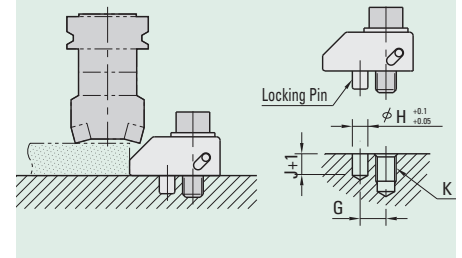


## TOE CLAMPS - REAR MOUNT



### How To Use and Install

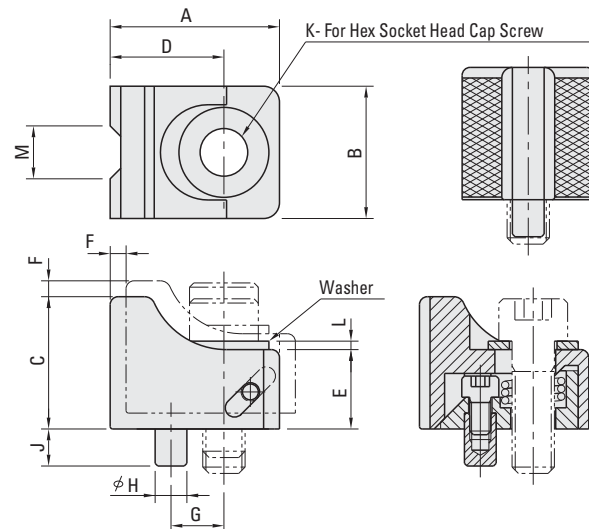
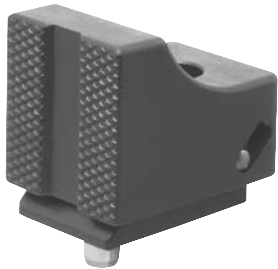


These toe clamps offer high holding power and low profile. Clamp moves downward and forward as it is engaged, forcing the work piece against the supports and stops. The low profile clamping surface is serrated for greater gripping strength. Install by drilling and tapping a cap screw hole and locking pin hole. Flat washer included. Made from SAE-1045 alloy steel, heat treated with black oxide finish.

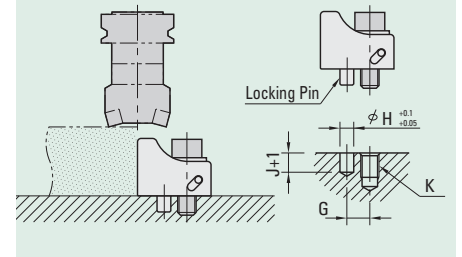
Part #	A mm	B mm	C mm	D mm	E mm	F mm	G mm	(h7) H mm	J mm	K mm	L mm	M mm	Clamping Force lbs.	Screw Torque Ft. lbs.
CP106-08015	35	25	6	24.5	15	3	10	6	7	M8	1.6	10	1570	18
CP106-10019	43	30	8	29.0	19	4	12	6	7	M10	2.0	11	1910	36
CP106-12023	54	35	9	37.0	23	5	16	8	10	M12	2.3	12	4490	66
CP106-16025	65	40	10	45.0	25	6	20	10	10	M16	3.2	14	8990	147

See page 377 for h7 tolerance specifications.

## SIDE CLAMPS - REAR MOUNT



### How To Use and Install



Clamp moves downward and forward as it is engaged, forcing the work piece against the supports and stops. The large clamping surface is serrated for greater gripping strength. Install by drilling and tapping a cap screw hole and locking pin hole. Flat washer included. Made from SAE-1045 alloy steel, heat treated with black oxide finish.

Part #	A mm	B mm	C mm	D mm	E mm	F mm	G mm	(h7) H mm	J mm	K mm	L mm	M mm	Clamping Force lbs.	Screw Torque Ft. lbs.
CP107-08015	32	25	25	21.5	15	3	10	6	7	M8	1.6	10	1570	18
CP107-10019	40	30	32	26.0	19	4	12	6	7	M10	2.0	11	1910	36
CP107-12023	50	35	38	33.0	23	5	16	8	10	M12	2.3	12	4490	66
CP107-16025	60	40	45	40.0	25	6	20	10	10	M16	3.2	14	8990	147

See page 377 for h7 tolerance specifications.