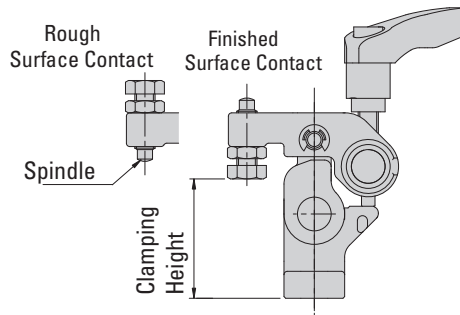
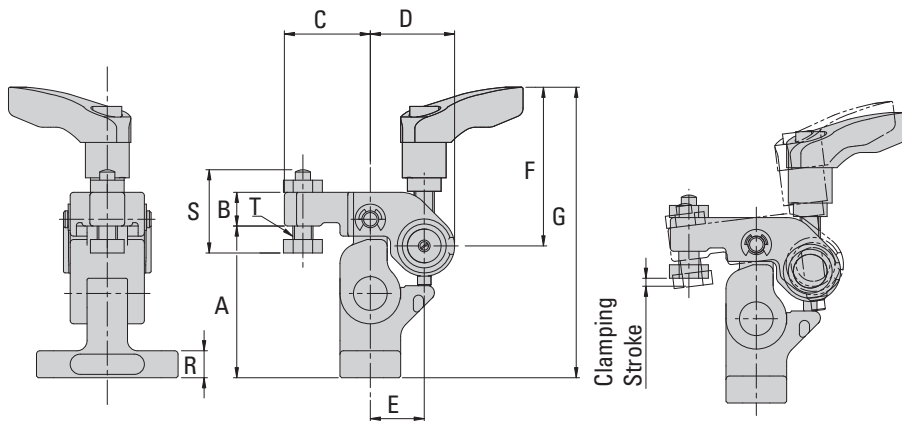
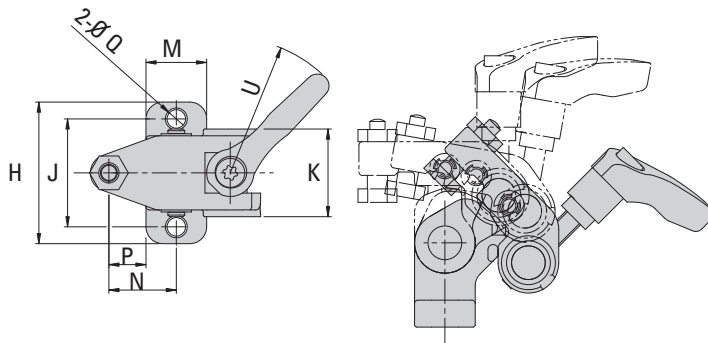
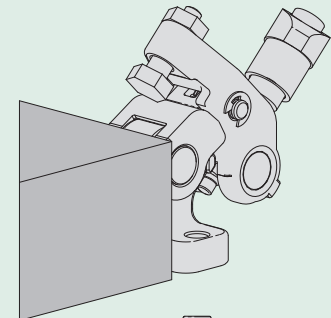


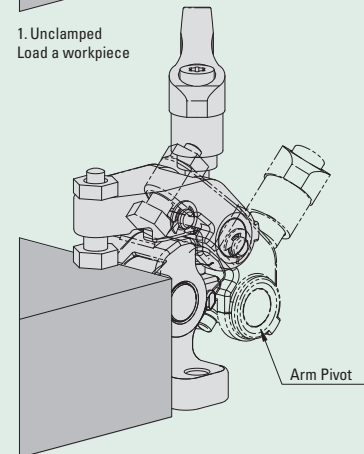
ROCKER CLAMPS W/ ADJUSTABLE HANDLE - MINIATURE



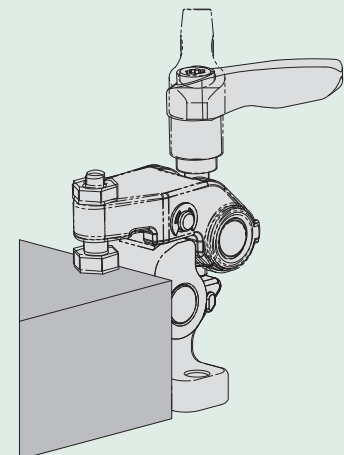
How To Use



1. Unclamped
Load a workpiece



2. Clamping Setup
Set the arm in clamping position holding it at the arm pivot.



3. Clamping
Set the handle down to clamp the workpiece.

For unclamping, reverse the above steps.

These miniature rocker clamps pivot completely away from the work piece for easy loading and unloading. The clamp moves forward and downward into position and clamps straight down onto the work piece for direct downward pressure. The adjustable handle is then tightened to apply clamping pressure and allows for longer clamping stroke and greater clamping force. These clamps are ideal for repetitive accurate clamping operations. They come with a contact bolt that can be reversed for finished or rough work piece surfaces. Mounts from the top with two mounting holes. The body and spindle are made from SAE-1045 alloy steel. The arm and joint are made from SAE-4135 alloy steel. Parts are heat treated with black oxide finish. The adjustable handle is made from cast zinc.

Part #	A mm	B mm	C mm	D mm	E mm	F mm	G mm	H mm	J mm	K mm	M mm	N mm	P mm	Q mm	R mm	S mm	T mm	U mm
QLRE-06	45	10	25.5	25	16	47	86	42	32	26	18	20	11	5.5	8	24.0	M6X1	40
QLRE-08	55	12	32.0	31	20	63	109	52	40	32	22	25	14	6.6	10	30.5	M8X1.25	65

Clamping Information

Part #	CLAMPING HEIGHT Finished Surface mm	CLAMPING HEIGHT Rough Surface mm	Stroke mm	Clamping Clamping Force lbs.	Handle Load lbs.
QLRE-06	29.5 - 40.0	32.5 - 43.0	2.5	539	38
QLRE-08	33.5 - 48.0	38.5 - 53.0	3.5	944	47