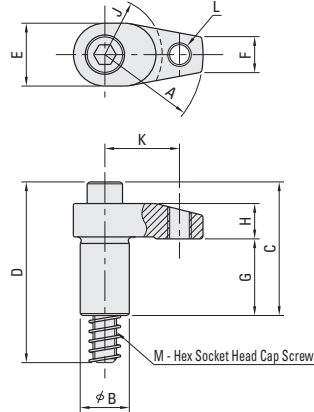
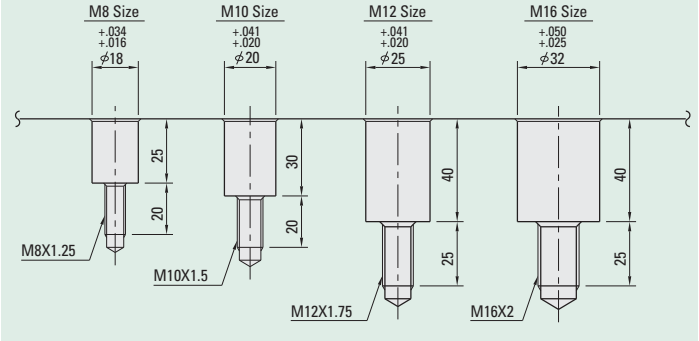


HOOK CLAMPS - RECESSED MOUNT



How To Install

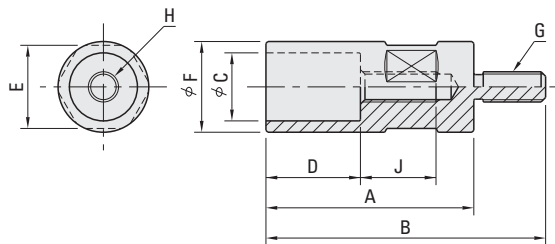


The clamps hold work pieces securely and can be swiveled out of the way for part insertion and removal. The spring lifts the clamp arm up as the clamp is released. They can be used with hook clamp holders shown below or installed in blocks using the above references. Made from SAE-4135 alloy steel, heat treated. Precision ground with black oxide finish.

Part #	A mm	(h7) B mm	C mm	D mm	E mm	F mm	G mm	H mm	J mm	K mm	L mm	M mm	Clamping Force Lbs	Screw Torque Ft Lbs
BJ130-08020	20	18	37	58	22	10	23	12	15	-	-	M8X1.25 X 50	3,372	28
BJ130-08025	25	18	37	58	22	10	23	12	15	-	-	M8X1.25 X 50	2,697	24
BJ130-08030	30	18	37	58	22	10	23	12	20	-	-	M8X1.25 X 50	2,248	22
BJ130-10030	30	20	54	75	24	12	30	15	20	-	-	M10X1.5 X 65	2,922	28
BJ130-10040	40	20	54	75	24	12	30	15	25	-	-	M10X1.5 X 65	2,248	23
BJ130-12040	40	25	66	92	32	18	39	16	25	-	-	M12X1.75 X 80	4,046	44
BJ130-12050	50	25	68	92	32	18	39	18	25	-	-	M12X1.75 X 80	3,147	36
BJ130-12060	60	25	68	92	32	18	39	18	25	-	-	M12X1.75 X 80	2,697	33
BJ130-12140	40	25	66	92	32	18	39	16	25	31	M12X1.75	M12X1.75 X 80	4,046	44
BJ130-12150	50	25	68	92	32	18	39	18	25	38	M12X1.75	M12X1.75 X 80	3,147	36
BJ130-12160	60	25	68	92	32	18	39	18	25	46	M12X1.75	M12X1.75 X 80	2,697	33
BJ130-16040	40	32	75	101	36	22	39	21	25	-	-	M16X2 X 85	8,542	125
BJ130-16050	50	32	75	101	36	22	39	21	25	-	-	M16X2 X 85	6,968	110
BJ130-16060	60	32	75	101	36	22	39	21	25	-	-	M16X2 X 85	5,849	95
BJ130-16150	50	32	75	101	36	22	39	21	25	38	M12X1.75	M16X2 X 85	6,968	110
BJ130-16160	60	32	75	101	36	22	39	21	25	46	M12X1.75	M16X2 X 85	5,849	95

See page 377 for h7 tolerance specifications.

HOOK CLAMP HOLDERS



For use with hook clamps shown above. Can also be used with riser cylinders on next page for additional height. Made from SAE-1045 alloy steel with black oxide finish.

Part #	A mm	B mm	(F7) C mm	D mm	E mm	F mm	G mm	H mm	J mm
BJ530-08055	55	74	18	25	22	24	M8X1.25	M8X1.25	20
BJ530-10063	63	93	20	30	30	32	M12X1.75	M10X1.5	21
BJ530-10080	80	110	20	30	30	32	M12X1.75	M10X1.5	23
BJ530-12080	80	110	25	40	36	40	M12X1.75	M12X1.75	25
BJ530-12100	100	130	25	40	36	40	M12X1.75	M12X1.75	25
BJ530-16080	80	110	32	40	46	50	M16X2	M16X2	25
BJ530-16100	100	130	32	40	46	50	M16X2	M16X2	25

See page 377 for F7 tolerance specifications.

How To Use

