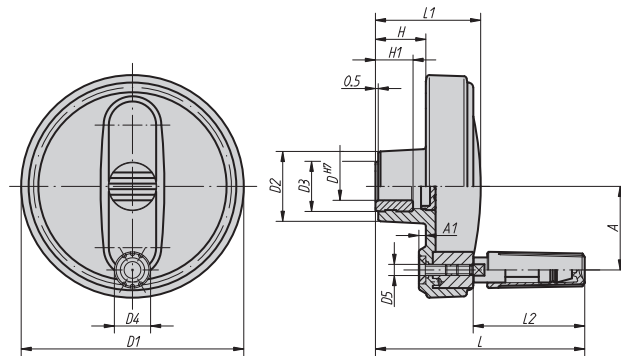


HAND WHEELS

Plastic | With Revolving Handle | Inch and Metric



Novo-GRIP by



Solid design with no spokes for safety. Firm sure ergonomic gripping with an attractive appearance. Made from dark grey thermoplastic. Steel parts have black oxide finish. Hub cover supplied to hide hub mounting. The revolving handle comes unassembled.

INCH

Part #	D	D1	D2	D3	D4	D5	A	A1	H	H1	L	L1	L2
06263-1080CO	.375	3.15	.98	.75	.51	M4	1.18	.10	.69	.51	2.95	1.48	1.57
06263-2100CO	.375	3.94	1.10	.75	.63	M5	1.50	.12	.79	.51	3.54	1.73	1.95
06263-2100CP	.500	3.94	1.10	.75	.63	M5	1.50	.12	.79	.51	3.54	1.73	1.95
06263-3125CP	.500	4.92	1.38	.98	.79	M6	1.87	.16	.93	.73	4.29	2.09	2.36
06263-4160CP	.500	6.30	1.77	.98	.98	M8	2.44	.22	1.10	.73	5.67	2.54	3.29
06263-4160CQ	.625	6.30	1.77	.98	.98	M8	2.44	.22	1.10	.73	5.67	2.54	3.29

METRIC

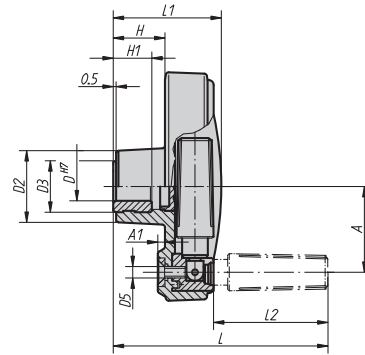
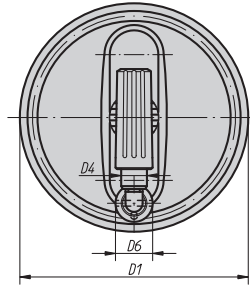
Part #	D mm	D1 mm	D2 mm	D3 mm	D4 mm	D5 mm	A mm	A1 mm	H mm	H1 mm	L mm	L1 mm	L2 mm
06263-108008	8	80	25	19	13	M4	30	2.5	17.5	13	75	37.5	40
06263-210010	10	100	28	19	16	M5	38	3	20	13	90	44	49.5
06263-210012	12	100	28	19	16	M5	38	3	20	13	90	44	49.5
06263-312512	12	125	35	25	20	M6	47.5	4	23.5	18.5	109	53	60
06263-416014	14	160	45	25	25	M8	62	5.6	28	18.5	144	64.5	83.5
06263-416016	16	160	45	25	25	M8	62	5.6	28	18.5	144	64.5	83.5

HAND WHEELS

Plastic | With Fold-Away Handle | Inch and Metric



Novo-GRIP by



Solid design with no spokes for safety. Firm sure ergonomic gripping with an attractive appearance. Made from dark grey thermoplastic. Steel parts have black oxide finish. Hub cover supplied to hide hub mounting. Handle folds away for safety.

INCH

Part #	D	D1	D2	D3	D4	D5	D6	A	A1	H	H1	L	L1	L2
06264-1080CO	.375	3.15	.98	.75	.51	M4	.51	1.18	.10	.69	.51	2.95	1.48	1.57
06264-2100CO	.375	3.94	1.10	.75	.63	M5	.63	1.50	.12	.79	.51	3.54	1.73	1.93
06264-2100CP	.500	3.94	1.10	.75	.63	M5	.63	1.50	.12	.79	.51	3.54	1.73	1.93
06264-3125CP	.500	4.92	1.38	.98	.79	M6	.79	1.87	.16	.93	.73	4.29	2.09	2.34
06264-4160CP	.500	6.30	1.77	.98	.98	M8	1.02	2.44	.22	1.10	.73	5.67	2.54	3.29
06264-4160CQ	.625	6.30	1.77	.98	.98	M8	1.02	2.44	.22	1.10	.73	5.67	2.54	3.29

METRIC

Part #	D mm	D1 mm	D2 mm	D3 mm	D4 mm	D5 mm	D6 mm	A mm	A1 mm	H mm	H1 mm	L mm	L1 mm	L2 mm
06264-108008	8	80	25	19	13	M4	13	30	2.5	17.5	13	75	37.5	40
06264-210010	10	100	28	19	16	M5	16	38	3	20	13	90	44	49
06264-210012	12	100	28	19	16	M5	16	38	3	20	13	90	44	49
06264-312512	12	125	35	25	20	M6	20	47.5	4	23.5	18.5	109	53	59.5
06264-416014	14	160	45	25	25	M8	26	62	5.6	28	18.5	144	64.5	83.5
06264-416016	16	160	45	25	25	M8	26	62	5.6	28	18.5	144	64.5	83.5