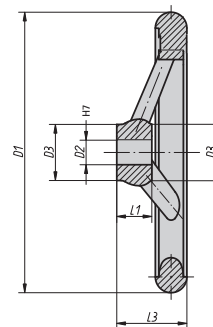
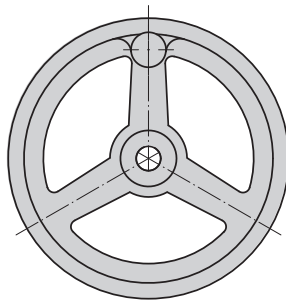


SPOKED HAND WHEELS

Cast Iron | Without Machine Handle | Inch and Metric



These hand wheels are made from grey cast iron. The wheel rim is turned and polished.

INCH

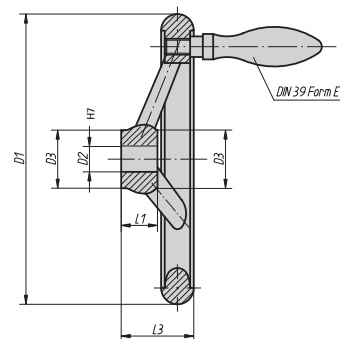
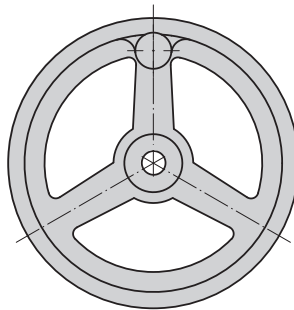
Part #	D2	Part #	D2	D1	D3	L1	L3	No. of Spokes
06271-0080XCN	.312	06271-0080XCO	.375	3.15	.94	.63	1.14	3
06271-0100XCO	.375	06271-0100XCP	.500	3.94	1.02	.67	1.30	3
06271-0125XCO	.375	06271-0125XCP	.500	4.92	1.10	.71	1.42	3
06271-0140XCP	.500	06271-0140XCQ	.625	5.51	1.18	.75	1.54	3
06271-0160XCP	.500	06271-0160XCQ	.625	6.30	1.26	.79	1.57	3
06271-0180XCP	.500	06271-0180XCQ	.625	7.09	1.38	.87	1.69	3
06271-0200XCQ	.625	06271-0200XCR	.750	7.87	1.50	.94	1.77	3
06271-0250XCR	.750	06271-0250XCV	.875	9.84	1.77	1.10	1.97	5
06271-0315XCV	.875	06271-0315XCS	1.00	12.40	2.09	1.30	2.20	5
06271-0400XCS	1.00	—	—	15.75	2.56	1.50	2.48	5
06271-0500XCS	1.00	—	—	19.69	3.07	1.77	2.83	5

METRIC

Part #	D2 mm	Part #	D2 mm	D1 mm	D3 mm	L1 mm	L3 mm	No. of Spokes
06271-0080X10	10	06271-0080X12	12	80	24	16	29	3
06271-0100X10	10	06271-0100X12	12	100	26	17	33	3
06271-0125X12	12	06271-0125X14	14	125	28	18	36	3
06271-0140X14	14	06271-0140X16	16	140	30	19	39	3
06271-0160X14	14	06271-0160X16	16	160	32	20	40	3
06271-0180X16	16	06271-0180X18	18	180	35	22	43	3
06271-0200X18	18	06271-0200X22	22	200	38	24	45	3
06271-0250X22	22	06271-0250X26	26	250	45	28	50	5
06271-0315X26	26	06271-0315X30	30	315	53	33	56	5
06271-0400X30	30	06271-0400X34	34	400	65	38	63	5
06271-0500X34	34	06271-0500X40	40	500	78	45	72	5

SPOKED HAND WHEELS

Cast Iron | Fixed Machine Handle | Inch and Metric



These hand wheels are made from grey cast iron. The wheel rim is turned and polished. The fixed handle is made from steel.

INCH

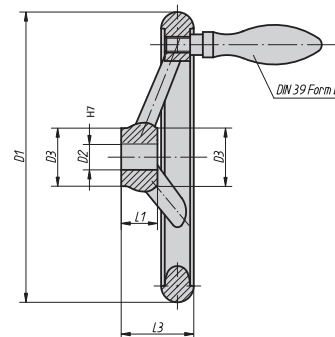
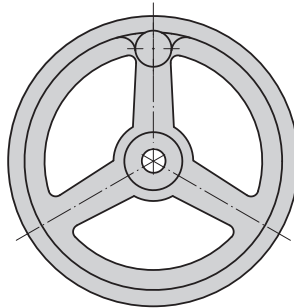
Part #	D2	Part #	D2	D1	D3	L1	L3	No. of Spokes	Handle Dia.	Handle Lgth
06271-2080XCN	.312	06271-2080XCO	.375	3.15	.94	.63	1.14	3	.63	1.97
06271-2100XCO	.375	06271-2100XCP	.500	3.94	1.02	.67	1.30	3	.63	1.97
06271-2125XCO	.375	06271-2125XCP	.500	4.92	1.10	.71	1.42	3	.79	2.52
06271-2140XCP	.500	06271-2140XCQ	.625	5.51	1.18	.75	1.54	3	.79	2.52
06271-2160XCP	.500	06271-2160XCQ	.625	6.30	1.26	.79	1.57	3	.98	3.15
06271-2180XCP	.500	06271-2180XCQ	.625	7.09	1.38	.87	1.69	3	.98	3.15
06271-2200XCP	.625	06271-2200XCR	.750	7.87	1.50	.94	1.77	3	.98	3.15
06271-2250XCR	.750	06271-2250XCV	.875	9.84	1.77	1.10	1.97	5	1.26	3.94
06271-2315XCV	.875	06271-2315XCS	1.00	12.40	2.09	1.30	2.20	5	1.26	3.94
06271-2400XCS	1.00	—	—	15.75	2.56	1.50	2.48	5	1.42	4.41
06271-2500XCS	1.00	—	—	19.69	3.07	1.77	2.83	5	1.42	4.41

METRIC

Part #	D2 mm	Part #	D2 mm	D1 mm	D3 mm	L1 mm	L3 mm	No. of Spokes	Handle Dia. mm	Handle Lgth mm
06271-2080X10	10	06271-2080X12	12	80	24	16	29	3	16	50
06271-2100X10	10	06271-2100X12	12	100	26	17	33	3	16	50
06271-2125X12	12	06271-2125X14	14	125	28	18	36	3	20	64
06271-2140X14	14	06271-2140X16	16	140	30	19	39	3	20	64
06271-2160X14	14	06271-2160X16	16	160	32	20	40	3	25	80
06271-2180X16	16	06271-2180X18	18	180	35	22	43	3	25	80
06271-2200X18	18	06271-2200X22	22	200	38	24	45	3	25	80
06271-2250X22	22	06271-2250X26	26	250	45	28	50	5	32	100
06271-2315X26	26	06271-2315X30	30	315	53	33	56	5	32	100
06271-2400X30	30	06271-2400X34	34	400	65	38	63	5	36	112
06271-2500X34	34	06271-2500X40	40	500	78	45	72	5	36	112

SPOKED HAND WHEELS

Cast Iron | Revolving Handle | Inch and Metric



These hand wheels are made from grey cast iron. The wheel rim is turned and polished. The revolving handle is made from steel.

INCH

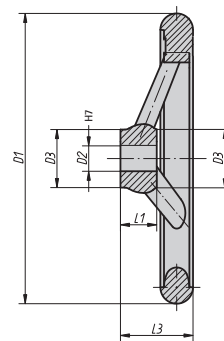
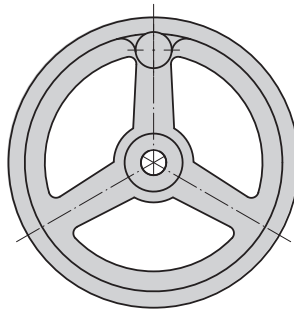
Part #	D2	Part #	D2	D1	D3	L1	L3	No. of Spokes	Handle Dia.	Handle Lgth
06271-4080XCN	.312	06271-4080XCO	.375	3.15	.94	.63	1.14	3	.63	2.15
06271-4100XCO	.375	06271-4100XCP	.500	3.94	1.02	.67	1.30	3	.63	2.15
06271-4125XCO	.375	06271-4125XCP	.500	4.92	1.10	.71	1.42	3	.79	2.64
06271-4140XCP	.500	06271-4140XCQ	.625	5.51	1.18	.75	1.54	3	.79	2.64
06271-4160XCP	.500	06271-4160XCQ	.625	6.30	1.26	.79	1.57	3	.98	3.27
06271-4180XCP	.500	06271-4180XCQ	.625	7.09	1.38	.87	1.69	3	.98	3.27
06271-4200XCQ	.625	06271-4200XCR	.750	7.87	1.50	.94	1.77	3	.98	3.27
06271-4250XCR	.750	06271-4250XCV	.875	9.84	1.77	1.10	1.97	5	1.26	4.15
06271-4315XCV	.875	06271-4315XCS	1.00	12.40	2.09	1.30	2.20	5	1.26	4.15
06271-4400XCS	1.00	—	—	15.75	2.56	1.50	2.48	5	1.42	4.61
06271-4500XCS	1.00	—	—	19.69	3.07	1.77	2.83	5	1.42	4.61

METRIC

Part #	D2 mm	Part #	D2 mm	D1 mm	D3 mm	L1 mm	L3 mm	No. of Spokes	Handle Dia. mm	Handle Lgth mm
06271-4080X10	10	06271-4080X12	12	80	24	16	29	3	16	54.5
06271-4100X10	10	06271-4100X12	12	100	26	17	33	3	16	54.5
06271-4125X12	12	06271-4125X14	14	125	28	18	36	3	20	67
06271-4140X14	14	06271-4140X16	16	140	30	19	39	3	20	67
06271-4160X14	14	06271-4160X16	16	160	32	20	40	3	25	83
06271-4180X16	16	06271-4180X18	18	180	35	22	43	3	25	83
06271-4200X18	18	06271-4200X22	22	200	38	24	45	3	25	83
06271-4250X22	22	06271-4250X26	26	250	45	28	50	5	32	105.5
06271-4315X26	26	06271-4315X30	30	315	53	33	56	5	32	105.5
06271-4400X30	30	06271-4400X34	34	400	65	38	63	5	36	117
06271-4500X34	34	06271-4500X40	40	500	78	45	72	5	36	117

SPOKED HAND WHEELS

Aluminum | Without Machine Handle | Inch and Metric



These hand wheels are made from aluminum. The wheel rim is turned and polished.

INCH

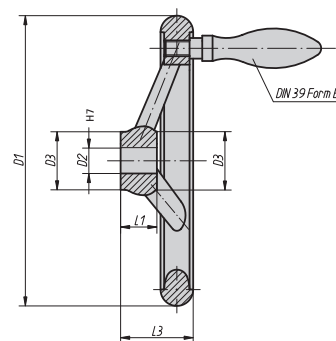
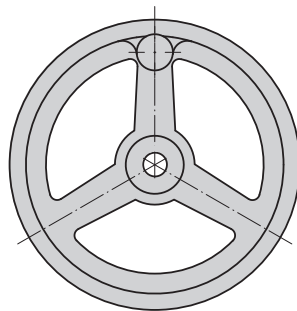
Part #	D2	Part #	D2	D1	D3	L1	L3	No. of Spokes
06273-0080XCN	.312	06273-0080XCO	.375	3.15	.94	.63	1.14	3
06273-0100XCO	.375	06273-0100XCP	.500	3.94	1.02	.67	1.30	3
06273-0125XCO	.375	06273-0125XCP	.500	4.92	1.10	.71	1.42	3
06273-0140XCP	.500	06273-0140XCQ	.625	5.51	1.18	.75	1.54	3
06273-0160XCP	.500	06273-0160XCQ	.625	6.30	1.26	.79	1.57	3
06273-0180XCP	.500	06273-0180XCQ	.625	7.09	1.38	.87	1.69	3
06273-0200XCQ	.625	06273-0200XCR	.750	7.87	1.50	.94	1.77	3
06273-0250XCR	.750	06273-0250XCV	.875	9.84	1.77	1.10	1.97	5
06273-0315XCV	.875	06273-0315XCS	1.00	12.40	2.09	1.30	2.20	5
06273-0400XCS	1.00	—	—	15.75	2.56	1.50	2.48	5
06273-0500XCS	1.00	—	—	19.69	3.07	1.77	2.83	5

METRIC

Part #	D2 mm	Part #	D2 mm	D1 mm	D3 mm	L1 mm	L3 mm	No. of Spokes
06273-0080X10	10	06273-0080X12	12	80	24	16	29	3
06273-0100X10	10	06273-0100X12	12	100	26	17	33	3
06273-0125X12	12	06273-0125X14	14	125	28	18	36	3
06273-0140X14	14	06273-0140X16	16	140	30	19	39	3
06273-0160X14	14	06273-0160X16	16	160	32	20	40	3
06273-0180X16	16	06273-0180X18	18	180	35	22	43	3
06273-0200X18	18	06273-0200X22	22	200	38	24	45	3
06273-0250X22	22	06273-0250X26	26	250	45	28	50	5
06273-0315X26	26	06273-0315X30	30	315	53	33	56	5
06273-0400X30	30	06273-0400X34	34	400	65	38	63	5
06273-0500X34	34	06273-0500X40	40	500	78	45	72	5

SPOKED HAND WHEELS

Aluminum | Fixed Machine Handle | Inch and Metric



These hand wheels are made from aluminum. The wheel rim is turned and polished. The fixed handle is made from aluminum. The axle part of the handle is steel with black oxide finish.

INCH

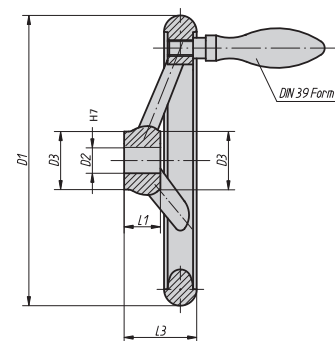
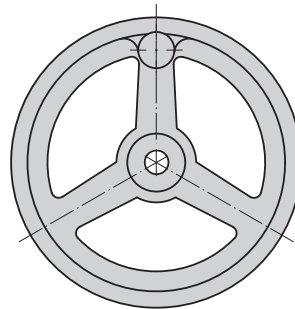
Part #	D2	Part #	D2	D1	D3	L1	L3	No. of Spokes	Handle Dia.	Handle Lgth
06273-2080XCN	.312	06273-2080XCO	.375	3.15	.94	.63	1.14	3	.63	1.97
06273-2100XCO	.375	06273-2100XCP	.500	3.94	1.02	.67	1.30	3	.63	1.97
06273-2125XCO	.375	06273-2125XCP	.500	4.92	1.10	.71	1.42	3	.79	2.52
06273-2140XCP	.500	06273-2140XCQ	.625	5.51	1.18	.75	1.54	3	.79	2.52
06273-2160XCP	.500	06273-2160XCQ	.625	6.30	1.26	.79	1.57	3	.98	3.15
06273-2180XCP	.500	06273-2180XCQ	.625	7.09	1.38	.87	1.69	3	.98	3.15
06273-2200XCQ	.625	06273-2200XCR	.750	7.87	1.50	.94	1.77	3	.98	3.15
06273-2250XCR	.750	06273-2250XCV	.875	9.84	1.77	1.10	1.97	5	1.26	3.94
06273-2315XCV	.875	06273-2315XCS	1.00	12.40	2.09	1.30	2.20	5	1.26	3.94
06273-2400XCS	1.00	—	—	15.75	2.56	1.50	2.48	5	1.42	4.41
06273-2500XCS	1.00	—	—	19.69	3.07	1.77	2.83	5	1.42	4.41

METRIC

Part #	D2 mm	Part #	D2 mm	D1 mm	D3 mm	L1 mm	L3 mm	No. of Spokes	Handle Dia. mm	Handle Lgth mm
06273-2080X10	10	06273-2080X12	12	80	24	16	29	3	16	50
06273-2100X10	10	06273-2100X12	12	100	26	17	33	3	16	50
06273-2125X12	12	06273-2125X14	14	125	28	18	36	3	20	64
06273-2140X14	14	06273-2140X16	16	140	30	19	39	3	20	64
06273-2160X14	14	06273-2160X16	16	160	32	20	40	3	25	80
06273-2180X16	16	06273-2180X18	18	180	35	22	43	3	25	80
06273-2200X18	18	06273-2200X22	22	200	38	24	45	3	25	80
06273-2250X22	22	06273-2250X26	26	250	45	28	50	5	32	100
06273-2315X26	26	06273-2315X30	30	315	53	33	56	5	32	100
06273-2400X30	30	06273-2400X34	34	400	65	38	63	5	36	112
06273-2500X34	34	06273-2500X40	40	500	78	45	72	5	36	112

SPOKED HAND WHEELS

Aluminum | Revolving Machine Handle | Inch and Metric



These hand wheels are made from aluminum. The wheel rim is turned and polished. The revolving handle is made from aluminum. The axle part of the handle is steel with black oxide finish.

INCH

Part #	D2	Part #	D2	D1	D3	L1	L3	No. of Spokes	Handle Dia.	Handle Lgth
06273-4080XCN	.312	06273-4080XCO	.375	3.15	0.94	0.63	1.14	3	0.63	2.15
06273-4100XCO	.375	06273-4100XCP	.500	3.94	1.02	0.67	1.30	3	0.63	2.15
06273-4125XCO	.375	06273-4125XCP	.500	4.92	1.10	0.71	1.42	3	0.79	2.64
06273-4140XCP	.500	06273-4140XCQ	.625	5.51	1.18	0.75	1.54	3	0.79	2.64
06273-4160XCP	.500	06273-4160XCQ	.625	6.30	1.26	0.79	1.57	3	0.98	3.27
06273-4180XCP	.500	06273-4180XCQ	.625	7.09	1.38	0.87	1.69	3	0.98	3.27
06273-4200XCQ	.625	06273-4200XCR	.750	7.87	1.50	0.94	1.77	3	0.98	3.27
06273-4250XCR	.750	06273-4250XCV	.875	9.84	1.77	1.10	1.97	5	1.26	4.15
06273-4315XCV	.875	06273-4315XCS	1.00	12.40	2.09	1.30	2.20	5	1.26	4.15
06273-4400XCS	1.00	—	—	15.75	2.56	1.50	2.48	5	1.42	4.61
06273-4500XCS	1.00	—	—	19.69	3.07	1.77	2.83	5	1.42	4.61

METRIC

Part #	D2 mm	Part #	D2 mm	D1 mm	D3 mm	L1 mm	L3 mm	No. of Spokes	Handle Dia. mm	Handle Lgth mm
06273-4080X10	10	06273-4080X12	12	80	24	16	29	3	16	54.5
06273-4100X10	10	06273-4100X12	12	100	26	17	33	3	16	54.5
06273-4125X12	12	06273-4125X14	14	125	28	18	36	3	20	67
06273-4140X14	14	06273-4140X16	16	140	30	19	39	3	20	67
06273-4160X14	14	06273-4160X16	16	160	32	20	40	3	25	83
06273-4180X16	16	06273-4180X18	18	180	35	22	43	3	25	83
06273-4200X18	18	06273-4200X22	22	200	38	24	45	3	25	83
06273-4250X22	22	06273-4250X26	26	250	45	28	50	5	32	105.5
06273-4315X26	26	06273-4315X30	30	315	53	33	56	5	32	105.5
06273-4400X30	30	06273-4400X34	34	400	65	38	63	5	36	117
06273-4500X34	34	06273-4500X40	40	500	78	45	72	5	36	117