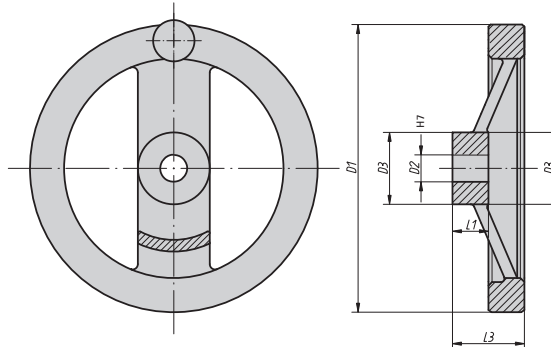


2-SPOKE HAND WHEELS

Aluminum | Without Machine Handle | Inch and Metric



These hand wheels are made from aluminum. The rim is turned and polished.

INCH

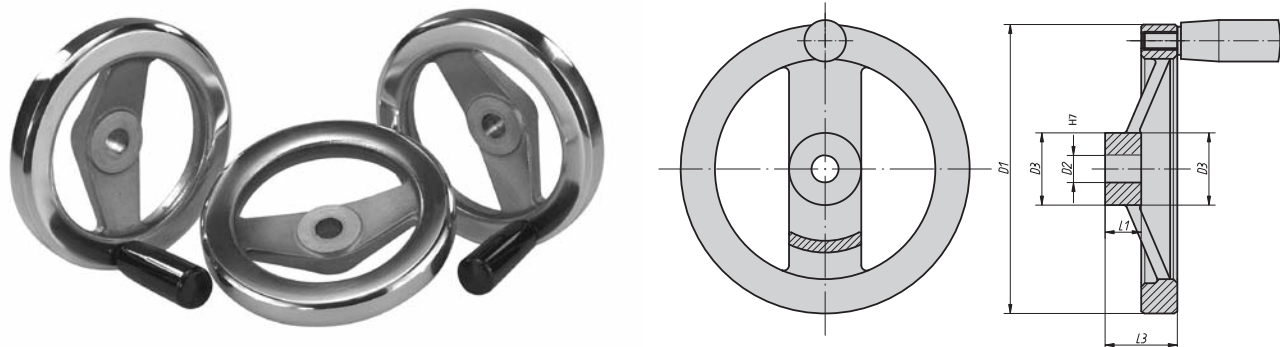
Part #	D2	Part #	D2	D1	D3	L1	L3
06277-0080XCN	.312	06277-0080XCO	.375	3.15	.94	.63	1.10
06277-0100XCO	.375	06277-0100XCP	.500	3.94	1.02	.67	1.30
06277-0125XCO	.375	06277-0125XCP	.500	4.92	1.22	.71	1.32
06277-0160XCP	.500	06277-0160XCQ	.625	6.30	1.42	.79	1.54
06277-0200XCQ	.625	06277-0200XCR	.750	7.87	1.65	0.94	1.77
06277-0250XCR	.750	06277-0250XCV	.875	9.84	1.89	1.10	2.01

METRIC

Part #	D2 mm	Part #	D2 mm	D1 mm	D3 mm	L1 mm	L3 mm
06277-0080X10	10	06277-0080X12	12	80	24	16	28
06277-0100X10	10	06277-0100X12	12	100	26	17	33
06277-0125X12	12	06277-0125X14	14	125	31	18	33.5
06277-0160X14	14	06277-0160X16	16	160	36	20	39
06277-0200X18	18	06277-0200X20	20	200	42	24	45
06277-0250X22	22	06277-0250X26	26	250	48	28	51

2-SPOKE HAND WHEELS

Aluminum | Fixed Machine Handle | Inch and Metric



These hand wheels are made from aluminum. The rim is turned and polished. The fixed handle is made from duroplast plastic. The axle part of the handle is galvanized steel.

INCH

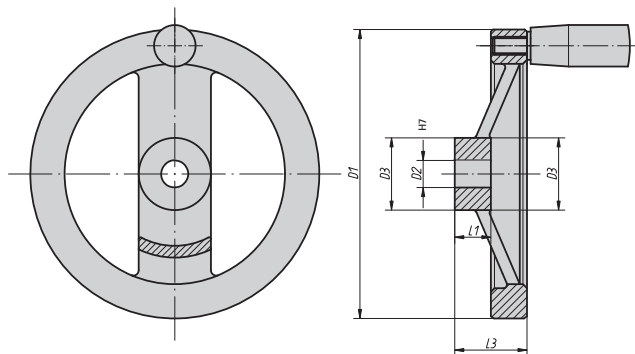
Part #	D2	Part #	D2	D1	D3	L1	L3	Handle Dia.	Handle Lgth
06277-2080XCN	.312	06277-2080XCO	.375	3.15	.94	.63	1.10	.71	1.57
06277-2100XCO	.375	06277-2100XCP	.500	3.94	1.02	.67	1.30	.71	1.57
06277-2125XCO	.375	06277-2125XCP	.500	4.92	1.22	.71	1.32	.83	1.97
06277-2160XCP	.500	06277-2160XCQ	.625	6.30	1.42	.79	1.54	1.02	3.15
06277-2200XCQ	.625	06277-2200XCR	.750	7.87	1.65	.94	1.77	1.02	3.15
06277-2250XCR	.750	06277-2250XCV	.875	9.84	1.89	1.10	2.01	1.10	3.54

METRIC

Part #	D2 mm	Part #	D2 mm	D1 mm	D3 mm	L1 mm	L3 mm	Handle Dia. mm	Handle Lgth mm
06277-2080X10	10	06277-2080X12	12	80	24	16	28	18	40
06277-2100X10	10	06277-2100X12	12	100	26	17	33	18	40
06277-2125X12	12	06277-2125X14	14	125	31	18	33.5	21	50
06277-2160X14	14	06277-2160X16	16	160	36	20	39	26	80
06277-2200X18	18	06277-2200X20	20	200	42	24	45	26	80
06277-2250X22	22	06277-2250X26	26	250	48	28	51	28	90

2-SPOKE HAND WHEELS

Aluminum | Revolving Machine Handle | Inch and Metric



These hand wheels are made from aluminum. The rim is turned and polished. The revolving handle is made from duroplast plastic. The axle part of the handle is galvanized steel.

INCH

Part #	D2	Part #	D2	D1	D3	L1	L3	Handle Dia.	Handle Lgth
06277-4080XCN	.312	06277-4080XCO	.375	3.15	.94	.63	1.10	.71	1.57
06277-4100XCO	.375	06277-4100XCP	.500	3.94	1.02	.67	1.30	.71	1.57
06277-4125XCO	.375	06277-4125XCP	.500	4.92	1.22	.71	1.32	.87	2.20
06277-4160XCP	.500	06277-4160XCQ	.625	6.30	1.42	.79	1.54	1.02	3.15
06277-4200XCQ	.625	06277-4200XCR	.750	7.87	1.65	.94	1.77	1.02	3.15
06277-4250XCR	.750	06277-4250XCV	.875	9.84	1.89	1.10	2.01	1.22	4.02

METRIC

Part #	D2 mm	Part #	D2 mm	D1 mm	D3 mm	L1 mm	L3 mm	Handle Dia. mm	Handle Lgth mm
06277-4080X10	10	06277-4080X12	12	80	24	16	28	18	40
06277-4100X10	10	06277-4100X12	12	100	26	17	33	18	40
06277-4125X12	12	06277-4125X14	14	125	31	18	33.5	22	56
06277-4160X14	14	06277-4160X16	16	160	36	20	39	26	80
06277-4200X18	18	06277-4200X20	20	200	42	24	45	26	80
06277-4250X22	22	06277-4250X26	26	250	48	28	51	31	102