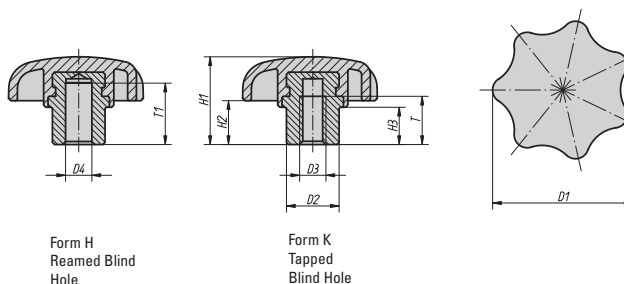


STAR GRIPS

Plastic | Inch and Metric



These black thermoplastic star grips have a projecting steel bushing for cross pin and set screw fastening. The steel parts have a blue chromate finish.

INCH

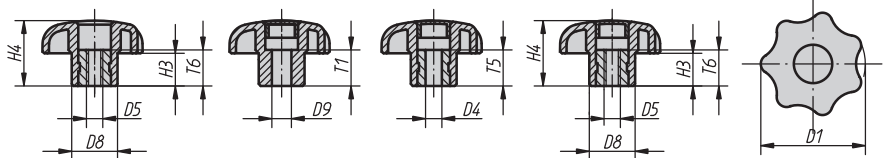
Part # Form H	Part # Form K	D3	D4	T	T1	D1	D2	H1	H2	H3
06210-1CL	06210-2A1	10-32	.188	.33	.37	.98	.39	.63	.31	.24
06210-1CM	06210-2A2	1/4-20	.250	.47	.47	1.26	.47	.79	.39	.33
06210-1CM1	06210-2A21	1/4-20	.250	.55	.55	1.57	.53	.98	.51	.39
06210-1CN	06210-2A3	5/16-18	.312	.55	.55	1.57	.53	.98	.51	.39
06210-1CN1	06210-2A31	5/16-18	.312	.71	.71	1.97	.75	1.26	.67	.47
06210-1CO	06210-2A4	3/8-16	.375	.71	.71	1.97	.75	1.26	.67	.47
06210-1CO1	06210-2A41	3/8-16	.375	.87	.87	2.48	.75	1.57	.83	.59
06210-1CP	06210-2A5	1/2-13	.500	.87	.87	2.48	.75	1.57	.83	.59
06210-1CQ	06210-2A6	5/8-11	.625	.87	.87	2.48	.91	1.57	.83	.59

METRIC

Part # Form H	Part # Form K	D3 mm	D4 mm	T mm	T1 mm	D1 mm	D2 mm	H1 mm	H2 mm	H3 mm
06210-105	06210-205	M5	5	8.5	9.5	25	10	16	8	6
06210-106	06210-206	M6	6	12	12	32	12	20	10	8.5
06210-1061	06210-2061	M6	6	14	14	40	13.5	25	13	10
06210-108	06210-208	M8	8	14	14	40	13.5	25	13	10
06210-1081	06210-2081	M8	8	18	18	50	19	32	17	12
06210-110	06210-210	M10	10	18	18	50	19	32	17	12
06210-1101	06210-2101	M10	10	22	22	63	19	40	21	15
06210-112	06210-212	M12	12	22	22	63	19	40	21	15
06210-116	06210-216	M16	16	22	22	63	23	40	21	15

STAR GRIPS

Plastic | Female Threads | Steel Inserts | Inch and Metric



Form D
Tapped Through
Hole w/o Cap

Form G
Reamed Blind
Hole - No
Bushing

Form H
Through Hole
Reamed w/
Counter Bore

Form K
Tapped
Blind Hole

Firm sure ergonomic gripping with an attractive appearance. Made from black thermoplastic. The insert is made from steel. They are available with black, light grey, traffic red and bright yellow caps. Please specify. See www.fixtureworks.net for colors.

INCH

Part # Form D	Part # Form G	Part # Form H	Part # Form K	D1	D4	D5	D8	D9	H3	H4	T1	T5	T6
06220-5AE	-	-	06220-2AE*	.98	-	8-32	.47	-	.31	.63	-	-	.39
06220-5A1	06220-3CL*	06220-1CL*	06220-2A1*	.98	.188	10-32	.47	.188	.31	.63	.39	.39	.39
06220-5A21	-	-	06220-2A21*	.98	-	1/4-20	.47	-	.31	.63	-	-	.39
06220-5A11	-	-	06220-2A11*	1.26	-	10-32	.55	-	.39	.79	-	-	.39
06220-5A2	06220-3CM*	06220-1CM*	06220-2A2*	1.26	.250	1/4-20	.55	.250	.39	.79	.39	.39	.39
06220-5A3	06220-3CN*	06220-1CN*	06220-2A3*	1.57	.312	5/16-18	.71	.312	.51	.98	.55	.55	.55
06220-5A41	-	-	06220-2A41*	1.57	-	3/8-16	.71	-	.51	.98	-	-	.55
06220-5A31	-	-	06220-2A31*	1.97	-	5/16-18	.87	-	.67	1.26	-	-	.55
06220-5A4	06220-3CO*	06220-1CO*	06220-2A4*	1.97	.375	3/8-16	.87	.375	.67	1.26	.55	.55	.55
06220-5A51	-	-	06220-2A51*	1.97	-	1/2-13	.87	-	.67	1.26	-	-	.71
06220-5A42	-	06220-1CO1*	06220-2A42*	2.48	.375	3/8-16	1.02	-	.83	1.57	-	.55	.55
06220-5A5	06220-3CP*	06220-1CP*	06220-2A5*	2.48	.500	1/2-13	1.02	.500	.83	1.57	.71	.71	.71
06220-5A6	-	-	06220-2A6*	2.48	-	5/8-11	1.02	-	.83	1.57	-	-	.71

* Add the desired cap color to the end of the part number. No color code is required for black. Light Grey = 5, Traffic Red = 6, Bright Yellow = 7

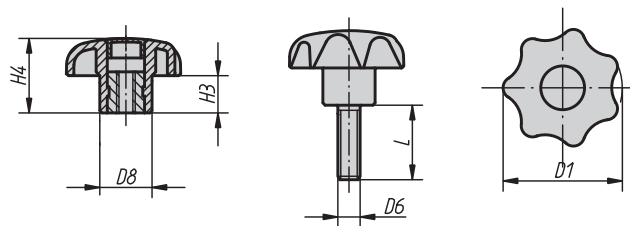
METRIC

Part # Form D	Part # Form G	Part # Form H	Part # Form K	D1 mm	D4 mm	D5 mm	D8 mm	D9 mm	H3 mm	H4 mm	T1 mm	T5 mm	T6 mm
06220-504	-	-	06220-204*	25	-	M4	12	-	8	16	-	-	10
06220-505	06220-305*	06220-105*	06220-205*	25	5	M5	12	5	8	16	10	10	10
06220-5061	-	-	06220-2061*	25	-	M6	12	-	8	16	-	-	10
06220-5051	-	-	06220-2051*	32	-	M5	14	-	10	20	-	-	10
06220-506	06220-306*	06220-106*	06220-206*	32	6	M6	14	6	10	20	10	10	10
06220-508	06220-308*	06220-108*	06220-208*	40	8	M8	18	8	13	25	14	14	14
06220-5101	-	-	06220-2101*	40	-	M10	18	-	13	25	-	-	14
06220-5081	-	-	06220-2081*	50	-	M8	22	-	17	32	-	-	14
06220-510	06220-310*	06220-110*	06220-210*	50	10	M10	22	10	17	32	14	14	14
06220-5121	-	-	06220-2121*	50	-	M12	22	-	17	32	-	-	18
06220-5102	-	06220-1101*	06220-2102*	63	10	M10	26	-	21	40	-	14	14
06220-512	06220-312*	06220-112*	06220-212*	63	12	M12	26	12	21	40	18	18	18
06220-516	-	-	06220-216*	63	-	M16	26	-	21	40	-	-	18

* Add the desired cap color to the end of the part number. No color code is required for black. Light Grey = 5, Traffic Red = 6, Bright Yellow = 7

STAR GRIPS

Plastic | Male Threads | Steel Studs | Inch



Form L External Threads

Firm sure ergonomic gripping with an attractive appearance. Made from black thermoplastic. The studs are made from steel. They are available with black, light grey, traffic red and bright yellow caps. Please specify. See www.fixtureworks.net for colors.

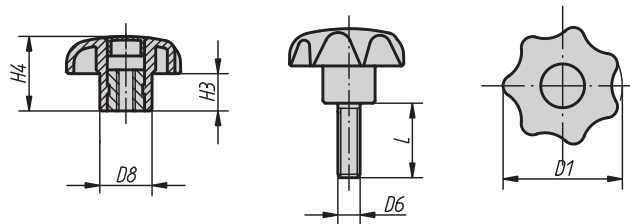
INCH

Part # Form L	D1	D6	L	D8	H3	H4
06220-4A1*X10	.98	10-32	.39	.47	.31	.63
06220-4A1*X20	.98	10-32	.79	.47	.31	.63
06220-4A2*X20	.98	1/4-20	.79	.47	.31	.63
06220-4A2*X30	.98	1/4-20	1.18	.47	.31	.63
06220-4A21*X20	1.26	1/4-20	.79	.55	.39	.79
06220-4A21*X30	1.26	1/4-20	1.18	.55	.39	.79
06220-4A3*X20	1.26	5/16-18	.79	.55	.39	.79
06220-4A3*X40	1.26	5/16-18	1.57	.55	.39	.79
06220-4A31*X20	1.57	5/16-18	.79	.71	.51	.98
06220-4A31*X40	1.57	5/16-18	1.57	.71	.51	.98
06220-4A4*X20	1.57	3/8-16	.79	.71	.51	.98
06220-4A4*X40	1.57	3/8-16	1.57	.71	.51	.98
06220-4A41*X20	1.97	3/8-16	.79	.87	.67	1.26
06220-4A41*X40	1.97	3/8-16	1.57	.87	.67	1.26
06220-4A5*X30	1.97	1/2-13	1.18	.87	.67	1.26
06220-4A5*X60	1.97	1/2-13	2.36	.87	.67	1.26
06220-4A42*X20	2.48	3/8-16	.79	1.02	.83	1.57
06220-4A42*X40	2.48	3/8-16	1.57	1.02	.83	1.57
06220-4A51*X30	2.48	1/2-13	1.18	1.02	.83	1.57
06220-4A51*X60	2.48	1/2-13	2.36	1.02	.83	1.57

* Add the desired cap color to the part number here. No color code is required for black. Light Grey = 5, Traffic Red = 6, Bright Yellow = 7

STAR GRIPS

Plastic | Male Threads | Steel Studs | Metric



Form L External Threads

Firm sure ergonomic gripping with an attractive appearance. Made from black thermoplastic. The studs are made from steel. They are available with black, light grey, traffic red and bright yellow caps. Please specify. See www.fixtureworks.net for colors.

METRIC

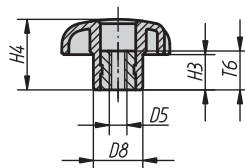
Part # Form L	D1 mm	D6 mm	L mm	D8 mm	H3 mm	H4 mm
06220-405*X10	25	M5	10	12	8	16
06220-405*X15	25	M5	15	12	8	16
06220-405*X20	25	M5	20	12	8	16
06220-405*X25	25	M5	25	12	8	16
06220-405*X30	25	M5	30	12	8	16
06220-405*X35	25	M5	35	12	8	16
06220-405*X40	25	M5	40	12	8	16
06220-405*X45	25	M5	45	12	8	16
06220-405*X50	25	M5	50	12	8	16
06220-405*X60	25	M5	60	12	8	16
06220-406*X10	25	M6	10	12	8	16
06220-406*X15	25	M6	15	12	8	16
06220-406*X20	25	M6	20	12	8	16
06220-406*X25	25	M6	25	12	8	16
06220-406*X30	25	M6	30	12	8	16
06220-406*X35	25	M6	35	12	8	16
06220-406*X40	25	M6	40	12	8	16
06220-406*X45	25	M6	45	12	8	16
06220-406*X50	25	M6	50	12	8	16
06220-406*X60	25	M6	60	12	8	16
06220-4061*X10	32	M6	10	14	10	20
06220-4061*X15	32	M6	15	14	10	20
06220-4061*X20	32	M6	20	14	10	20
06220-4061*X25	32	M6	25	14	10	20
06220-4061*X30	32	M6	30	14	10	20
06220-4061*X35	32	M6	35	14	10	20
06220-4061*X40	32	M6	40	14	10	20
06220-4061*X45	32	M6	45	14	10	20
06220-4061*X50	32	M6	50	14	10	20
06220-4061*X60	32	M6	60	14	10	20
06220-408*X15	32	M8	15	14	10	20
06220-408*X20	32	M8	20	14	10	20
06220-408*X25	32	M8	25	14	10	20
06220-408*X30	32	M8	30	14	10	20
06220-408*X35	32	M8	35	14	10	20
06220-408*X40	32	M8	40	14	10	20
06220-408*X45	32	M8	45	14	10	20
06220-408*X50	32	M8	50	14	10	20
06220-408*X60	32	M8	60	14	10	20
06220-4081*X15	40	M8	15	18	13	25
06220-4081*X20	40	M8	20	18	13	25
06220-4081*X25	40	M8	25	18	13	25
06220-4081*X30	40	M8	30	18	13	25
06220-4081*X35	40	M8	35	18	13	25
06220-4081*X40	40	M8	40	18	13	25
06220-4081*X45	40	M8	45	18	13	25
06220-4081*X50	40	M8	50	18	13	25
06220-4081*X60	40	M8	60	18	13	25

Part # Form L	D1 mm	D6 mm	L mm	D8 mm	H3 mm	H4 mm
06220-410*X15	40	M10	15	18	13	25
06220-410*X20	40	M10	20	18	13	25
06220-410*X25	40	M10	25	18	13	25
06220-410*X30	40	M10	30	18	13	25
06220-410*X35	40	M10	35	18	13	25
06220-410*X40	40	M10	40	18	13	25
06220-410*X45	40	M10	45	18	13	25
06220-410*X50	40	M10	50	18	13	25
06220-410*X60	40	M10	60	18	13	25
06220-4101*X15	50	M10	15	22	17	32
06220-4101*X20	50	M10	20	22	17	32
06220-4101*X25	50	M10	25	22	17	32
06220-4101*X30	50	M10	30	22	17	32
06220-4101*X35	50	M10	35	22	17	32
06220-4101*X40	50	M10	40	22	17	32
06220-4101*X45	50	M10	45	22	17	32
06220-4101*X50	50	M10	50	22	17	32
06220-4101*X60	50	M10	60	22	17	32
06220-412*X15	50	M12	15	22	17	32
06220-412*X20	50	M12	20	22	17	32
06220-412*X25	50	M12	25	22	17	32
06220-412*X30	50	M12	30	22	17	32
06220-412*X35	50	M12	35	22	17	32
06220-412*X40	50	M12	40	22	17	32
06220-412*X45	50	M12	45	22	17	32
06220-412*X50	50	M12	50	22	17	32
06220-412*X60	50	M12	60	22	17	32
06220-4102*X20	63	M10	20	26	21	40
06220-4102*X25	63	M10	25	26	21	40
06220-4102*X30	63	M10	30	26	21	40
06220-4102*X35	63	M10	35	26	21	40
06220-4102*X40	63	M10	40	26	21	40
06220-4102*X45	63	M10	45	26	21	40
06220-4102*X50	63	M10	50	26	21	40
06220-4102*X60	63	M10	60	26	21	40
06220-4121*X20	63	M12	20	26	21	40
06220-4121*X25	63	M12	25	26	21	40
06220-4121*X30	63	M12	30	26	21	40
06220-4121*X35	63	M12	35	26	21	40
06220-4121*X40	63	M12	40	26	21	40
06220-4121*X45	63	M12	45	26	21	40
06220-4121*X50	63	M12	50	26	21	40
06220-4121*X60	63	M12	60	26	21	40
06220-416*X30	63	M16	30	26	21	40
06220-416*X35	63	M16	35	26	21	40
06220-416*X40	63	M16	40	26	21	40
06220-416*X45	63	M16	45	26	21	40
06220-416*X50	63	M16	50	26	21	40
06220-416*X60	63	M16	60	26	21	40

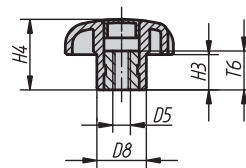
* Add the desired cap color to the part number here. No color code is required for black. Light Grey = 5, Traffic Red = 6, Bright Yellow = 7

STAR GRIPS

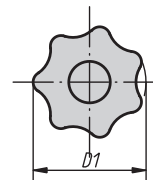
Plastic | Female Threads | Stainless Steel Inserts | Inch and Metric



Form D
Tapped Through
Hole w/o Cap



Form K
Tapped
Blind Hole



Firm sure ergonomic gripping with an attractive appearance. Made from black thermoplastic. The inserts are made from stainless steel. They are available with black, light grey, traffic red and bright yellow caps. Please specify. See www.fixtureworks.net for colors.

INCH

Part # Form D	Part # Form K	D1	D5	D8	H3	H4	T6
06212-5A1	06212-2A1*	.98	10-32	.47	.31	.63	.39
06212-5A2	06212-2A2*	1.26	1/4-20	.55	.39	.79	.39
06212-5A3	06212-2A3*	1.57	5/16-18	.71	.51	.98	.55
06212-5A4	06212-2A4*	1.97	3/8-16	.87	.67	1.26	.55
06212-5A5	06212-2A5*	2.48	1/2-13	1.02	.83	1.57	.71

* Add the desired cap color to the end of the part number. No color code is required for black. Light Grey = 5, Traffic Red = 6, Bright Yellow = 7

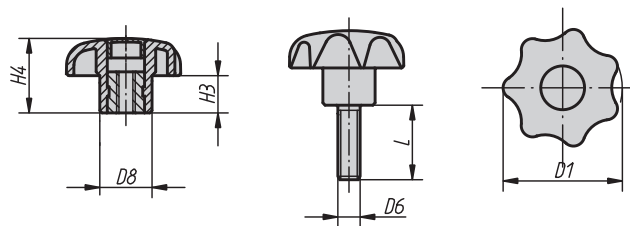
METRIC

Part # Form D	Part # Form K	D1 mm	D5 mm	D8 mm	H3 mm	H4 mm	T6 mm
06212-505	06212-205*	25	M5	12	8	16	10
06212-506	06212-206*	32	M6	14	10	20	10
06212-508	06212-208*	40	M8	18	13	25	14
06212-510	06212-210*	50	M10	22	17	32	14
06212-512	06212-212*	63	M12	26	21	40	18

* Add the desired cap color to the end of the part number. No color code is required for black. Light Grey = 5, Traffic Red = 6, Bright Yellow = 7

STAR GRIPS

Plastic | Male Threads | Stainless Steel Studs | Inch and Metric



Form L External Threads

Firm sure ergonomic gripping with an attractive appearance. Made from black thermoplastic. The studs are made from stainless steel. They are available with black, light grey, traffic red and bright yellow caps. Please specify. See www.fixtureworks.net for colors.

INCH

Part # Form L	D1	D6	L	D8	H3	H4
06212-4A1*X10	.98	10-32	.39	.47	.31	.63
06212-4A1*X20	.98	10-32	.79	.47	.31	.63
06212-4A2*X20	1.26	1/4-20	.79	.55	.39	.79
06212-4A2*X30	1.26	1/4-20	1.18	.55	.39	.79
06212-4A3*X20	1.57	5/16-18	.79	.71	.51	.98
06212-4A3*X40	1.57	5/16-18	1.57	.71	.51	.98
06212-4A4*X20	1.97	3/8-16	.79	.87	.67	1.26
06212-4A4*X40	1.97	3/8-16	1.57	.87	.67	1.26

* Add the desired cap color to the part number here. No color code is required for black. Light Grey = 5, Traffic Red = 6, Bright Yellow = 7

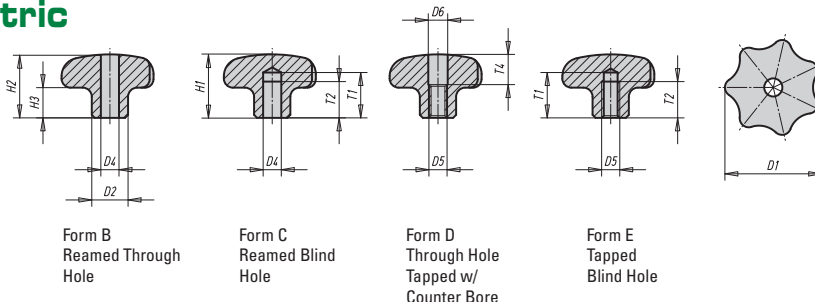
METRIC

Part # Form L	D1 mm	D6 mm	L mm	D8 mm	H3 mm	H4 mm
06212-405*X15	25	M5	15	12	8	16
06212-405*X20	25	M5	20	12	8	16
06212-406*X20	32	M6	20	14	10	20
06212-406*X30	32	M6	30	14	10	20
06212-408*X15	40	M8	15	18	13	25
06212-408*X20	40	M8	20	18	13	25
06212-408*X25	40	M8	25	18	13	25
06212-408*X30	40	M8	30	18	13	25
06212-408*X40	40	M8	40	18	13	25
06212-408*X60	40	M8	60	18	13	25
06212-410*X25	50	M10	25	22	17	32
06212-410*X30	50	M10	30	22	17	32
06212-410*X40	50	M10	40	22	17	32
06212-410*X50	50	M10	50	22	17	32
06212-410*X60	50	M10	60	22	17	32

* Add the desired cap color to the part number here. No color code is required for black. Light Grey = 5, Traffic Red = 6, Bright Yellow = 7

STAR GRIPS

Stainless Steel | Inch and Metric



These stainless steel star grips offer ergonomic design, good gripping and attractive appearance. They are offered with four mounting configurations as shown. The finish is ground and polished.

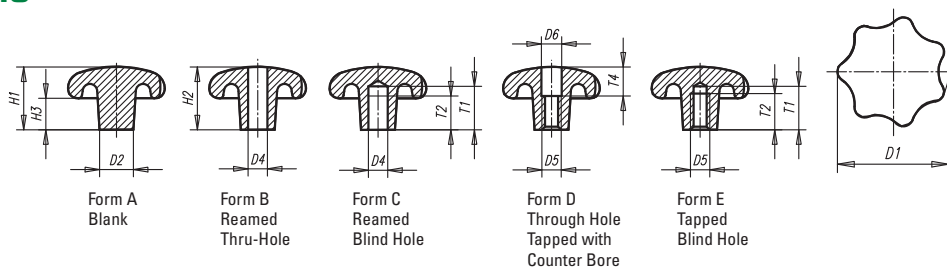
INCH

Part # Form B	Part # Form C	Part # Form D	Part # Form E	D1	D2	D4	D5	D6	H1	H2	H3	T1	T2	T4
06194-232CM2	06194-332CM2	06194-432A22	06194-532A22	1.26	.47	.250	1/4-20	.25	.83	.79	.39	.59	.47	.39
06194-240CN2	06194-340CN2	06194-440A32	06194-540A32	1.57	.55	.312	5/16-18	.33	1.02	.98	.51	.71	.59	.47
06194-250CO2	06194-350CO2	06194-450A42	06194-550A42	1.97	.71	.375	3/8-16	.41	1.34	1.26	.67	.83	.71	.63
06194-263CP2	06194-363CP2	06194-463A52	06194-563A52	2.48	.79	.500	1/2-13	.51	1.65	1.57	.83	.98	.87	.79

METRIC

Part # Form B	Part # Form C	Part # Form D	Part # Form E	D1 mm	D2 mm	D4 mm	D5 mm	D6 mm	H1 mm	H2 mm	H3 mm	T1 mm	T2 mm	T4 mm
06194-232062	06194-332062	06194-432062	06194-532062	32	12	6	M6	6.4	21	20	10	15	12	10
06194-240082	06194-340082	06194-440082	06194-540082	40	14	8	M8	8.4	26	25	13	18	15	12
06194-250102	06194-350102	06194-450102	06194-550102	50	18	10	M10	10.5	34	32	17	21	18	16
06194-263122	06194-363122	06194-463122	06194-563122	63	20	12	M12	13	42	40	21	25	22	20

Cast Iron | Inch and Metric



These grey cast iron star grips are offered with five mounting configurations as shown. All styles have a natural tumbled finish except form A, which is de-burred raw casting.

INCH

Part # Form A	Part # Form B	Part # Form C	Part # Form D	Part # Form E	D1	D2	D4	D5	D6	H1	H2	H3	T1	T2	T4
06200-106	06200-2CM	06200-3CM	06200-4A2	06200-5A2	1.26	.47	.250	1/4-20	.25	.83	.79	.39	.59	.47	.39
06200-108	06200-2CN	06200-3CN	06200-4A3	06200-5A3	1.57	.55	.312	5/16-18	.33	1.02	.98	.55	.71	.59	.47
06200-110	06200-2CO	06200-3CO	06200-4A4	06200-5A4	1.97	.71	.375	3/8-16	.41	1.34	1.26	.79	.83	.71	.63
06200-112	06200-2CP	06200-3CP	06200-4A5	06200-5A5	2.48	.79	.500	1/2-13	.51	1.65	1.57	.98	.98	.87	.79
06200-116	06200-2CQ	06200-3CQ	06200-4A6	06200-5A6	3.15	.98	.625	5/8-11	.67	2.05	1.97	1.18	1.26	1.10	1.18

METRIC

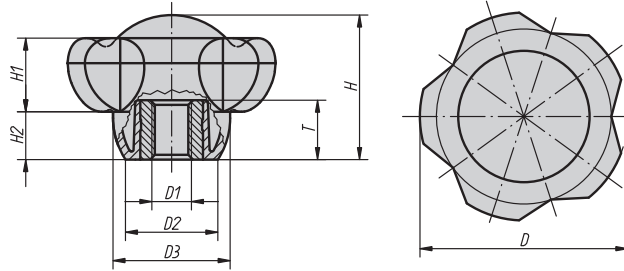
Part # Form A	Part # Form B	Part # Form C	Part # Form D	Part # Form E	D1 mm	D2 mm	D4 mm	D5 mm	D6 mm	H1 mm	H2 mm	H3 mm	T1 mm	T2 mm	T4 mm
06200-106	06200-206	06200-306	06200-406	06200-506	32	12	6	M6	6.4	21	20	10	15	12	10
06200-108	06200-208	06200-308	06200-408	06200-508	40	14	8	M8	8.4	26	25	14	18	15	12
06200-110	06200-210	06200-310	06200-410	06200-510	50	18	10	M10	10.5	34	32	20	21	18	16
06200-112	06200-212	06200-312	06200-412	06200-512	63	20	12	M12	13	42	40	25	25	22	20
06200-116	06200-216	06200-316	06200-416	06200-516	80	25	16	M16	17	52	50	30	32	28	30

CLAMP GRIPS

Plastic | Female Threads | Steel & Stainless Inserts | Inch and Metric



Novo-GRIP by Kipp



Firm sure ergonomic gripping with an attractive appearance. Made from dark grey thermoplastic. The inserts are available in steel or stainless steel. They are available with dark grey, light grey, traffic red and bright yellow caps. See www.fixtureworks.net for colors.

INCH

Part # Steel	Part # Stainless	D	D1	D2	D3	H	H1	H2	T
06253-50A3*	06253-50A31*	1.97	5/16-18	.87	1.11	1.37	.70	.45	.55
06253-50A4*	06253-50A41*	1.97	3/8-16	.87	1.11	1.37	.70	.45	.55
06253-50A5*	06253-50A51*	1.97	1/2-13	.87	1.11	1.37	.70	.45	.71
06253-63A4*	06253-63A41*	2.48	3/8-16	1.10	1.40	1.73	.89	.57	.55
06253-63A5*	06253-63A51*	2.48	1/2-13	1.10	1.40	1.73	.89	.57	.71
06253-63A6*	—	2.48	5/8-11	1.10	1.40	1.73	.89	.57	.71

* Add the desired cap color here. No color code is required for dark grey. Light Grey = 5, Traffic Red = 6, Bright Yellow = 7

METRIC

Part # Steel	Part # Stainless	D mm	D1 mm	D2 mm	D3 mm	H mm	H1 mm	H2 mm	T mm
06253-5008*	06253-50081*	50	M8	22.2	28.2	34.8	17.8	11.5	14
06253-5010*	06253-50101*	50	M10	22.2	28.2	34.8	17.8	11.5	14
06253-5012*	06253-50121*	50	M12	22.2	28.2	34.8	17.8	11.5	18
06253-6310*	06253-63101*	63	M10	28	35.5	44	22.5	14.5	14
06253-6312*	06253-63121*	63	M12	28	35.5	44	22.5	14.5	18
06253-6316*	—	63	M16	28	35.5	44	22.5	14.5	18

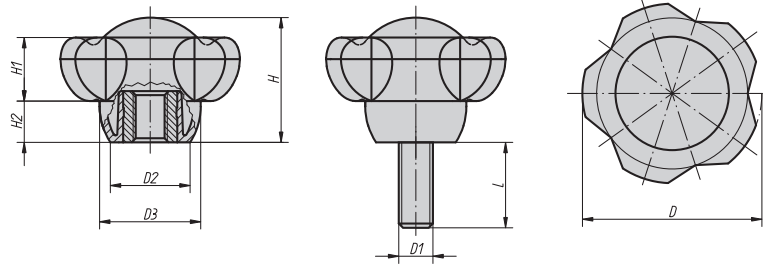
* Add the desired cap color here. No color code is required for dark grey. Light Grey = 5, Traffic Red = 6, Bright Yellow = 7

CLAMP GRIPS

Plastic | Male Threads | Steel & Stainless Studs | Inch and Metric



Novo-GRIP by



Firm sure ergonomic gripping with an attractive appearance. Made from dark grey thermoplastic. The studs are available in steel or stainless steel. They are available with dark grey, light grey, traffic red and bright yellow caps. See www.fixtureworks.net for colors.

INCH

Part # Steel	Part # Stainless	D1	L	D	D2	D3	H	H1	H2
06253-50A4*X20	06253-50A41*X20	3/8-16	.79	1.97	.87	1.11	1.37	.70	.45
06253-50A4*X40	06253-50A41*X40	3/8-16	1.57	1.97	.87	1.11	1.37	.70	.45
06253-50A5*X30	—	1/2-13	1.18	1.97	.87	1.11	1.37	.70	.45
06253-50A5*X60	—	1/2-13	2.36	1.97	.87	1.11	1.37	.70	.45
06253-63A4*X20	06253-63A41*X20	3/8-16	.79	2.48	1.10	1.40	1.73	.89	.57
06253-63A4*X40	06253-63A41*X40	3/8-16	1.57	2.48	1.10	1.40	1.73	.89	.57
06253-63A5*X30	—	1/2-13	1.18	2.48	1.10	1.40	1.73	.89	.57
06253-63A5*X60	—	1/2-13	2.36	2.48	1.10	1.40	1.73	.89	.57

* Add the desired cap color here. No color code is required for dark grey. Light Grey = 5, Traffic Red = 6, Bright Yellow = 7

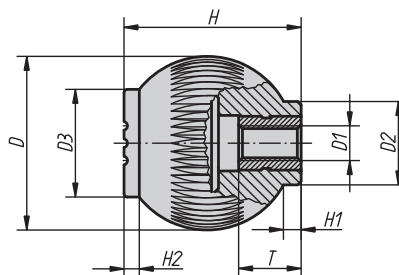
METRIC

Part # Steel	Part # Stainless	D1 mm	L mm	D mm	D2 mm	D3 mm	H mm	H1 mm	H2 mm
06253-5010*X15	—	M10	15	50	22.2	28.2	34.8	17.8	11.5
06253-5010*X20	06253-50101*X20	M10	20	50	22.2	28.2	34.8	17.8	11.5
06253-5010*X25	06253-50101*X25	M10	25	50	22.2	28.2	34.8	17.8	11.5
06253-5010*X30	06253-50101*X30	M10	30	50	22.2	28.2	34.8	17.8	11.5
06253-5010*X35	—	M10	35	50	22.2	28.2	34.8	17.8	11.5
06253-5010*X40	06253-50101*X40	M10	40	50	22.2	28.2	34.8	17.8	11.5
06253-5010*X45	—	M10	45	50	22.2	28.2	34.8	17.8	11.5
06253-5010*X50	06253-50101*X50	M10	50	50	22.2	28.2	34.8	17.8	11.5
06253-5010*X60	06253-50101*X60	M10	60	50	22.2	28.2	34.8	17.8	11.5
06253-5012*X15	—	M12	15	50	22.2	28.2	34.8	17.8	11.5
06253-5012*X20	—	M12	20	50	22.2	28.2	34.8	17.8	11.5
06253-5012*X25	—	M12	25	50	22.2	28.2	34.8	17.8	11.5
06253-5012*X30	—	M12	30	50	22.2	28.2	34.8	17.8	11.5
06253-5012*X35	—	M12	35	50	22.2	28.2	34.8	17.8	11.5
06253-5012*X40	—	M12	40	50	22.2	28.2	34.8	17.8	11.5
06253-5012*X45	—	M12	45	50	22.2	28.2	34.8	17.8	11.5
06253-5012*X50	—	M12	50	50	22.2	28.2	34.8	17.8	11.5
06253-5012*X60	—	M12	60	50	22.2	28.2	34.8	17.8	11.5
06253-6310*X20	06253-63101*X20	M10	20	63	28	35.5	44	22.5	14.5
06253-6310*X25	06253-63101*X25	M10	25	63	28	35.5	44	22.5	14.5
06253-6310*X30	06253-63101*X30	M10	30	63	28	35.5	44	22.5	14.5
06253-6310*X35	-	M10	35	63	28	35.5	44	22.5	14.5
06253-6310*X40	06253-63101*X40	M10	40	63	28	35.5	44	22.5	14.5
06253-6310*X45	-	M10	45	63	28	35.5	44	22.5	14.5
06253-6310*X50	06253-63101*X50	M10	50	63	28	35.5	44	22.5	14.5
06253-6310*X60	06253-63101*X60	M10	60	63	28	35.5	44	22.5	14.5
06253-6312*X20	-	M12	20	63	28	35.5	44	22.5	14.5
06253-6312*X25	-	M12	25	63	28	35.5	44	22.5	14.5
06253-6312*X30	-	M12	30	63	28	35.5	44	22.5	14.5
06253-6312*X35	-	M12	35	63	28	35.5	44	22.5	14.5
06253-6312*X40	-	M12	40	63	28	35.5	44	22.5	14.5
06253-6312*X45	-	M12	45	63	28	35.5	44	22.5	14.5
06253-6312*X50	-	M12	50	63	28	35.5	44	22.5	14.5
06253-6312*X60	-	M12	60	63	28	35.5	44	22.5	14.5

* Add the desired cap color here. No color code is required for dark grey. Light Grey = 5, Traffic Red = 6, Bright Yellow = 7

GRIP BALLS

Plastic | Female Threads | Steel & Stainless Inserts | Inch and Metric



Form sure ergonomic gripping with an attractive appearance. Made from dark grey thermoplastic. The inserts are available in steel or stainless steel. They are available with dark grey, light grey, traffic red and bright yellow caps. See www.fixtureworks.net for colors.

INCH

Part # Steel	Part # Stainless	D	D1	D2	D3	H	H1	H2	T
06245-1A2*	06245-01A2*	.98	1/4-20	.47	.67	.98	.10	.09	.39
06245-2A3*	06245-02A3*	1.26	5/16-18	.61	.75	1.30	.13	.11	.55
06245-3A4*	06245-03A4*	1.57	3/8-16	.75	.91	1.63	.16	.14	.55
06245-4A4*	06245-04A4*	1.97	3/8-16	.94	1.22	2.01	.20	.17	.55
06245-4A5*	06245-04A5*	1.97	1/2-13	.94	1.22	2.01	.20	.17	.71

* Add the desired cap color here. No color code is required for dark grey. Light Grey = 5, Traffic Red = 6, Bright Yellow = 7

METRIC

Part # Steel	Part # Stainless	D mm	D1 mm	D2 mm	D3 mm	H mm	H1 mm	H2 mm	T mm
06245-106*	06245-0106*	25	M6	12	17	25	2.5	2.2	10
06245-208*	06245-0208*	32	M8	15.5	19	33	3.2	2.8	14
06245-310*	06245-0310*	40	M10	19	23	41.5	4	3.5	14
06245-410*	06245-0410*	50	M10	24	31	51	5	4.4	14
06245-412*	06245-0412*	50	M12	24	31	51	5	4.4	18

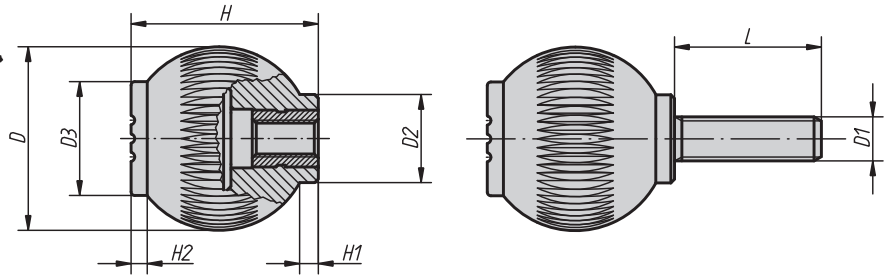
* Add the desired cap color here. No color code is required for dark grey. Light Grey = 5, Traffic Red = 6, Bright Yellow = 7

GRIP BALLS

Plastic | Male Threads | Steel & Stainless Studs | Inch and Metric



Novo-GRIP by



Form sure ergonomic gripping with an attractive appearance. Made from grey thermoplastic. The studs are available in steel or stainless steel. They are available with dark grey, light grey traffic red and bright yellow caps. See www.fixtureworks.net for colors.

INCH

Part # Steel	Part # Stainless	D1	L	D	D2	D3	H	H1	H2
06245-1A2*X20	06245-01A2*X20	1/4-20	.79	.98	.47	.67	.98	.10	.09
06245-1A2*X30	06245-01A2*X30	1/4-20	1.18	.98	.47	.67	.98	.10	.09
06245-2A3*X20	06245-02A3*X20	5/16-18	.79	1.26	.61	.75	1.30	.13	.11
06245-2A3*X40	06245-02A3*X40	5/16-18	1.57	1.26	.61	.75	1.30	.13	.11
06245-3A4*X20	06245-03A4*X20	3/8-16	.79	1.57	.75	.91	1.63	.16	.14
06245-3A4*X40	06245-03A4*X40	3/8-16	1.57	1.57	.75	.91	1.63	.16	.14
06245-4A4*X20	06245-04A4*X20	3/8-16	.79	1.97	.94	1.22	2.01	.20	.17
06245-4A4*X40	06245-04A4*X40	3/8-16	1.57	1.97	.94	1.22	2.01	.20	.17
06245-4A5*X30	—	1/2-13	1.18	1.97	.94	1.22	2.01	.20	.17
06245-4A5*X60	—	1/2-13	2.36	1.97	.94	1.22	2.01	.20	.17

* Add the desired cap color here. No color code is required for dark grey. Light Grey = 5, Traffic Red = 6, Bright Yellow = 7

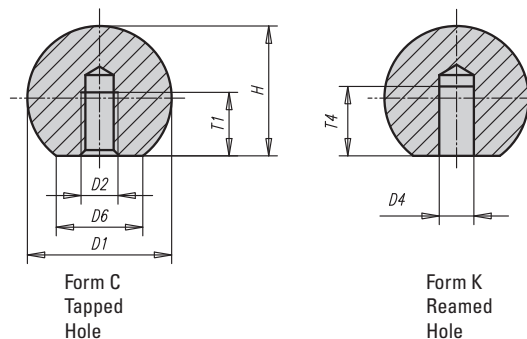
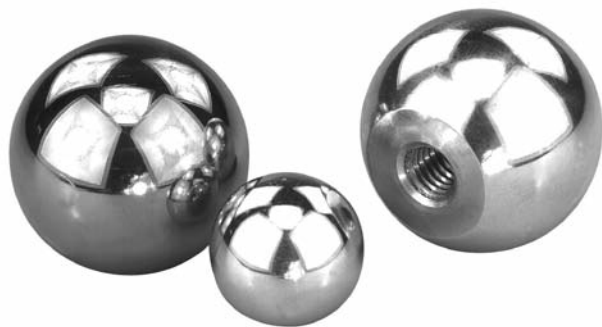
METRIC

Part # Steel	Part # Stainless	D1 mm	L mm	D mm	D2 mm	D3 mm	H mm	H1 mm	H2 mm
06245-106*X15	06245-0106*X15	M6	15	25	12	17	25	2.5	2.2
06245-106*X20	06245-0106*X20	M6	20	25	12	17	25	2.5	2.2
06245-106*X25	06245-0106*X25	M6	25	25	12	17	25	2.5	2.2
06245-106*X30	06245-0106*X30	M6	30	25	12	17	25	2.5	2.2
06245-208*X20	06245-0208*X20	M8	20	32	15.5	19	33	3.2	2.8
06245-208*X25	06245-0208*X25	M8	25	32	15.5	19	33	3.2	2.8
06245-208*X30	06245-0208*X30	M8	30	32	15.5	19	33	3.2	2.8
06245-208*X40	06245-0208*X40	M8	40	32	15.5	19	33	3.2	2.8
06245-310*X20	06245-0310*X20	M10	20	40	19	23	41.5	4	3.5
06245-310*X30	06245-0310*X30	M10	30	40	19	23	41.5	4	3.5
06245-310*X40	06245-0310*X40	M10	40	40	19	23	41.5	4	3.5
06245-410*X20	06245-0410*X20	M10	20	50	24	31	51	5	4.4
06245-410*X30	06245-0410*X30	M10	30	50	24	31	51	5	4.4
06245-410*X40	06245-0410*X40	M10	40	50	24	31	51	5	4.4
06245-412*X20	06245-0412*X20	M12	20	50	24	31	51	5	4.4
06245-412*X30	—	M12	30	50	24	31	51	5	4.4
06245-412*X40	—	M12	40	50	24	31	51	5	4.4

* Add the desired cap color here. No color code is required for dark grey. Light Grey = 5, Traffic Red = 6, Bright Yellow = 7

BALL KNOBS

Steel and Aluminum | Inch and Metric



These ball knobs are available in aluminum with inch threads and steel or aluminum in metric threads or metric reamed hole. Polished finish.

INCH

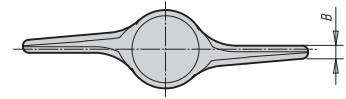
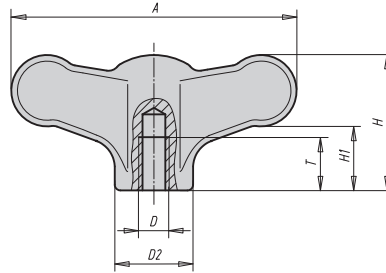
Part # Aluminum Form C	D1	D2	D6	H	Min T1
06247-116AE3	.63	8-32	.31	.59	.28
06247-120A13	.79	10-32	.47	.71	.36
06247-125A23	.98	1/4-20	.59	.89	.43
06247-132A33	1.26	5/16-18	.71	1.14	.57
06247-140A43	1.57	3/8-16	.87	1.46	.71
06247-150A53	1.97	1/2-13	1.10	1.81	.83

METRIC

Part # Steel Form C	Part # Aluminum Form C	Part # Steel Form K	Part # Aluminum Form K	D1 mm	D2 mm	D4 mm	D6 mm	H mm	Min T1 mm	Min T4 mm
06247-116041	06247-116043	06247-316041	06247-316043	16	M4	6	8	15	7.2	10
06247-120051	06247-120053	06247-320051	06247-320053	20	M5	8	12	18	9.1	12
06247-125061	06247-125063	06247-325061	06247-325063	25	M6	10	15	22.5	11	16
06247-132081	06247-132083	06247-332081	06247-332083	32	M8	12	18	29	14.5	20
06247-140101	06247-140103	06247-340101	06247-340103	40	M10	16	22	37	18	25
06247-150121	06247-150123	06247-350121	06247-350123	50	M12	20	28	46	21	32

WING GRIPS

Stainless Steel | Inch and Metric



Made from stainless steel. Ground and polished. Ideal for food or medical applications.

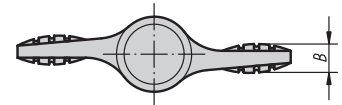
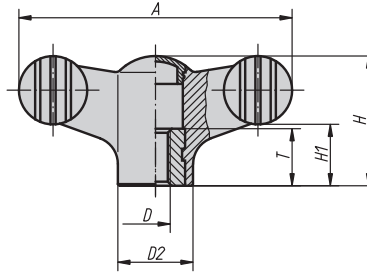
INCH															
Part #	D	D2	A	B	H	H1	T	Part #	D	D2	A	B	H	H1	T
06651-9AE	8-32	.41	1.5	.07	.71	.33	.35	06651-1A1	10-32	.55	1.97	.09	.94	.45	.47
06651-9A1	10-32	.41	1.5	.07	.71	.33	.35	06651-1A2	1/4-20	.55	1.97	.09	.94	.45	.39
06651-9A2	1/4-20	.41	1.5	.07	.71	.33	.35	06651-2A3	5/16-18	.83	2.95	.13	1.38	.65	.55
06651-1A0	10-24	.55	1.97	.09	.94	.45	.39	06651-2A4	3/8-16	.83	2.95	.13	1.38	.65	.55

METRIC															
Part #	D mm	D2 mm	A mm	B mm	H mm	H1 mm	T mm	Part #	D mm	D2 mm	A mm	B mm	H mm	H1 mm	T mm
06651-904	M4	10.5	38	1.7	18	8.5	9	06651-106	M6	14	50	2.3	24	11.5	12
06651-905	M5	10.5	38	1.7	18	8.5	9	06651-208	M8	21	75	3.4	35	16.5	15
06651-906	M6	10.5	38	1.7	18	8.5	9	06651-210	M10	21	75	3.4	35	16.5	15
06651-105	M5	14	50	2.3	24	11.5	12								

Plastic | Female Threads | Steel and Stainless Inserts | Inch and Metric



Novo-GRIP by



Firm sure ergonomic gripping with an attractive appearance. Made from dark grey thermoplastic. Inserts are available in steel or stainless steel. They are available with dark grey, light grey, traffic red and bright yellow caps. See www.fixtureworks.net for colors.

INCH									
Part # Steel	Part # Stainless	D	D2	A	B	H	H1	T	
06652-1A1*	06652-01A1*	10-32	.55	1.97	.20	.94	.45	.39	
06652-1A2*	06652-01A2*	1/4-20	.55	1.97	.20	.94	.45	.39	
06652-2A3*	06652-02A3*	5/16-18	.83	2.95	.28	1.38	.65	.55	
06652-2A4*	06652-02A4*	3/8-16	.83	2.95	.28	1.38	.65	.55	

* Add the desired cap color here. No color code is required for dark grey. Light Grey = 5, Traffic Red = 6, Bright Yellow = 7

METRIC									
Part # Steel	Part # Stainless	D mm	D2 mm	A mm	B mm	H mm	H1 mm	T mm	
06652-105*	06652-0105*	M5	14	50	5	24	11.5	10	
06652-106*	06652-0106*	M6	14	50	5	24	11.5	10	
06652-208*	06652-0208*	M8	21	75	7	35	16.5	14	
06652-210*	06652-0210*	M10	21	75	7	35	16.5	14	

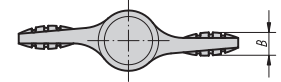
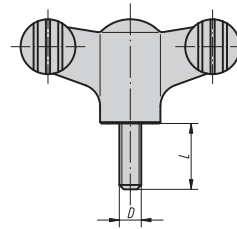
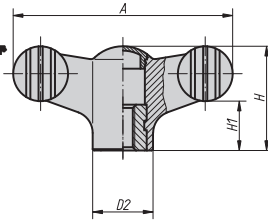
* Add the desired cap color here. No color code is required for dark grey. Light Grey = 5, Traffic Red = 6, Bright Yellow = 7

WING GRIPS

Plastic | Male Threads | Steel and Stainless Studs | Inch and Metric



Novo-GRIP by



Firm sure ergonomic gripping with an attractive appearance. Made from dark grey thermoplastic. Studs are available in steel or stainless steel. They are available with dark grey, light grey, traffic red and bright yellow caps. See www.fixtureworks.net for colors.

INCH

Part # Steel	Part # Stainless	D	L	D2	A	B	H	H1
06652-1A1*X10	06652-01A1*X10	10-32	.39	.55	1.97	.20	.94	.45
06652-1A1*X20	06652-01A1*X20	10-32	.79	.55	1.97	.20	.94	.45
06652-1A2*X20	06652-01A2*X20	1/4-20	.79	.55	1.97	.20	.94	.45
06652-1A2*X30	06652-01A2*X30	1/4-20	1.18	.55	1.97	.20	.94	.45
06652-1A3*X20	06652-01A3*X20	5/16-18	.79	.55	1.97	.20	.94	.45
06652-1A3*X40	06652-01A3*X40	5/16-18	1.57	.55	1.97	.20	.94	.45
06652-2A3*X20	06652-02A3*X20	5/16-18	.79	.83	2.95	.28	1.38	.65
06652-2A3*X40	06652-02A3*X40	5/16-18	1.57	.83	2.95	.28	1.38	.65
06652-2A4*X20	06652-02A4*X20	3/8-16	.79	.83	2.95	.28	1.38	.65
06652-2A4*X40	06652-02A4*X40	3/8-16	1.57	.83	2.95	.28	1.38	.65

* Add the desired cap color here. No color code is required for dark grey. Light Grey = 5, Traffic Red = 6, Bright Yellow = 7

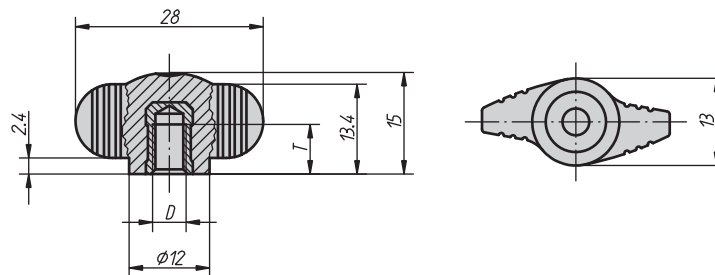
METRIC

Part # Steel	Part # Stainless	D mm	L mm	D2 mm	A mm	B mm	H mm	H1 mm
06652-105*X15	06652-0105*X15	M5	15	14	50	5	24	11.5
06652-105*X20	06652-0105*X20	M5	20	14	50	5	24	11.5
06652-106*X20	06652-0106*X20	M6	20	14	50	5	24	11.5
06652-106*X30	06652-0106*X30	M6	30	14	50	5	24	11.5
06652-106*X40	06652-0106*X40	M6	40	14	50	5	24	11.5
06652-108*X20	06652-0108*X20	M8	20	14	50	5	24	11.5
06652-108*X30	06652-0108*X30	M8	30	14	50	5	24	11.5
06652-108*X40	06652-0108*X40	M8	40	14	50	5	24	11.5
06652-208*X20	06652-0208*X20	M8	20	21	75	7	35	16.5
06652-208*X30	06652-0208*X30	M8	30	21	75	7	35	16.5
06652-208*X40	06652-0208*X40	M8	40	21	75	7	35	16.5
06652-210*X20	06652-0210*X20	M10	20	21	75	7	35	16.5
06652-210*X30	06652-0210*X30	M10	30	21	75	7	35	16.5
06652-210*X40	06652-0210*X40	M10	40	21	75	7	35	16.5
06652-210*X50	06652-0210*X50	M10	50	21	75	7	35	16.5

* Add the desired cap color here. No color code is required for dark grey. Light Grey = 5, Traffic Red = 6, Bright Yellow = 7

MINI-WING GRIPS

Plastic | Female Threads | Brass and Stainless Inserts | Inch and Metric



Firm sure ergonomic gripping with an attractive appearance. Made from dark grey thermoplastic. Inserts are available in brass or stainless steel.

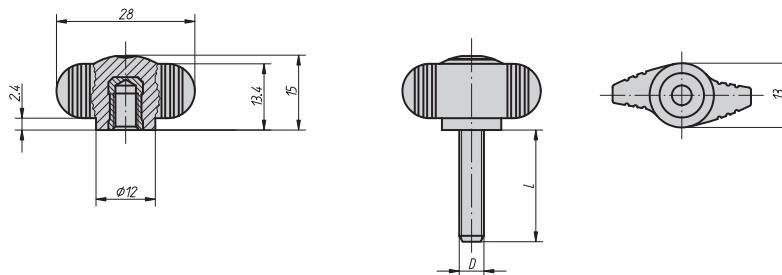
INCH

Part # Brass	Part # Stainless	D	T
06652-0AE	06652-00AE	8-32	.24
06652-0A1	06652-00A1	10-32	.30
06652-0A2	06652-00A2	1/4-20	.35

METRIC

Part # Brass	Part # Stainless	D mm	T mm
06652-004	06652-0004	M4	6
06652-005	06652-0005	M5	7.5
06652-006	06652-0006	M6	9

Plastic | Male Threads | Steel and Stainless Studs | Inch and Metric



Firm sure ergonomic gripping with an attractive appearance. Made from dark grey thermoplastic. Studs are available in steel or stainless steel.

INCH

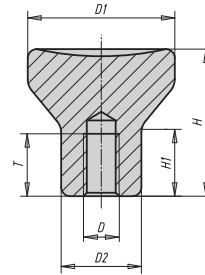
Part # Steel	Part # Stainless	D	L
06652-0AEX10	06652-00AEX10	8-32	.39
06652-0AEX20	06652-00AEX20	8-32	.79
06652-0A1X10	06652-00A1X10	10-32	.39
06652-0A1X20	06652-00A1X20	10-32	.79
06652-0A2X20	06652-00A2X20	1/4-20	.79
06652-0A2X30	06652-00A2X30	1/4-20	1.18
06652-0A3X20	06652-00A3X20	5/16-18	.79
06652-0A3X40	06652-00A3X40	5/16-18	1.57

METRIC

Part # Steel	Part # Stainless	D mm	L mm
06652-004X8	06652-0004X8	M4	8
06652-005X10	06652-0005X10	M5	10
06652-005X15	06652-0005X15	M5	15
06652-005X20	06652-0005X20	M5	20
06652-006X10	06652-0006X10	M6	10
06652-006X15	06652-0006X15	M6	15
06652-006X20	06652-0006X20	M6	20
06652-006X25	06652-0006X25	M6	25
06652-006X30	06652-0006X30	M6	30
06652-008X20	06652-0008X20	M8	20
06652-008X25	06652-0008X25	M8	25
06652-008X30	06652-0008X30	M8	30
06652-008X40	06652-0008X40	M8	40

MUSHROOM KNOBS

Stainless Steel | Inch and Metric



Made from stainless steel with an electrolytic-polish finish. Ideal for food or medical applications.

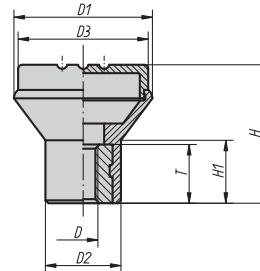
INCH

Part #	D	D1	D2	H	H1	T
06240-1AE	8-32	.83	.47	.83	.39	.39
06240-1A0	10-24	.83	.47	.83	.39	.39
06240-2A2	1/4-20	.98	.55	.98	.47	.39
06240-3A3	5/16-18	1.30	.71	1.30	.59	.55

METRIC

Part #	D mm	D1 mm	D2 mm	H mm	H1 mm	T mm
06240-104	M4	21	12	21	10	10
06240-105	M5	21	12	21	10	10
06240-206	M6	25	14	25	12	10
06240-308	M8	33	18	33	15	14

Plastic | Female Threads | Steel & Stainless Inserts | Inch and Metric



Firm sure ergonomic gripping with an attractive appearance. Made from dark grey thermoplastic. The inserts are available in steel or stainless steel. They are available with dark grey, light grey, traffic red and bright yellow caps. See www.fixtureworks.net for colors.

INCH

Part # Steel	Part # Stainless	D	D1	D2	D3	H	H1	T
06241-AE*	06241-0AE*	8-32	.83	.51	.75	.83	.39	.39
06241-A1*	06241-0A1*	10-32	.83	.51	.75	.83	.39	.39
06241-A2*	06241-0A2*	1/4-20	.98	.55	.91	.98	.47	.39
06241-A3*	06241-0A3*	5/16-18	1.30	.75	1.22	1.30	.59	.55

* Add the desired cap color here. No color code is required for dark grey. Light Grey = 5, Traffic Red = 6, Bright Yellow = 7

METRIC

Part # Steel	Part # Stainless	D mm	D1 mm	D2 mm	D3 mm	H mm	H1 mm	T mm
06241-04*	06241-004*	M4	21	13	19	21	10	10
06241-05*	06241-005*	M5	21	13	19	21	10	10
06241-06*	06241-006*	M6	25	14	23	25	12	10
06241-08*	06241-008*	M8	33	19	31	33	15	14

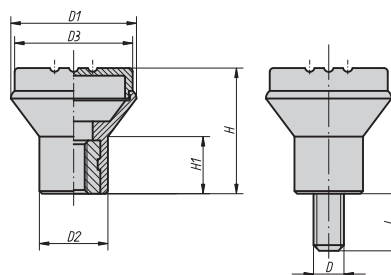
* Add the desired cap color here. No color code is required for dark grey. Light Grey = 5, Traffic Red = 6, Bright Yellow = 7

MUSHROOM KNOBS

Plastic | Male Threads | Steel & Stainless Studs | Inch and Metric



Novo-GRIP by



Firm sure ergonomic gripping with an attractive appearance. Made from dark grey thermoplastic. The studs are available in steel or stainless steel. They are available with dark grey, light grey, traffic red and bright yellow caps. See www.fixtureworks.net for colors.

INCH

Part # Steel	Part # Stainless	D	L	D1	D2	D3	H	H1
06242-AE*X10	06242-0AE*X10	8-32	.39	.83	.51	.75	.83	.39
06242-AE*X20	06242-0AE*X20	8-32	.79	.83	.51	.75	.83	.39
06242-A1*X10	06242-0A1*X10	10-32	.39	.83	.51	.75	.83	.39
06242-A1*X20	06242-0A1*X20	10-32	.79	.83	.51	.75	.83	.39
06242-A2*X20	06242-0A2*X20	1/4-20	.79	.98	.55	.91	.98	.47
06242-A2*X30	06242-0A2*X30	1/4-20	1.18	.98	.55	.91	.98	.47
06242-A3*X20	06242-0A3*X20	5/16-18	.79	1.30	.75	1.22	1.30	.59
06242-A3*X40	06242-0A3*X40	5/16-18	1.57	1.30	.75	1.22	1.30	.59

* Add the desired cap color here. No color code is required for dark grey. Light Grey = 5, Traffic Red = 6, Bright Yellow = 7

METRIC

Part # Steel	Part # Stainless	D mm	L mm	D1 mm	D2 mm	D3 mm	H mm	H1 mm
06242-04*X10	06242-004*X10	M4	10	21	13	19	21	10
06242-05*X10	06242-005*X10	M5	10	21	13	19	21	10
06242-06*X15	06242-006*X15	M6	15	25	14	23	25	12
06242-08*X15	06242-008*X15	M8	15	33	19	31	33	15

* Add the desired cap color here. No color code is required for dark grey. Light Grey = 5, Traffic Red = 6, Bright Yellow = 7

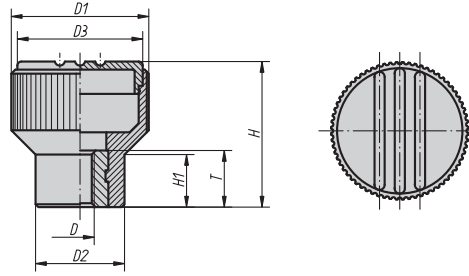


KNURLED KNOBS

Plastic | Female Threads | Steel and Stainless Inserts | Inch and Metric



NOVO-GRIP® by Kipp



Form sure ergonomic gripping with an attractive appearance. Made from dark grey thermoplastic. The insert is available in steel or stainless steel. They are available with dark grey, light grey, traffic red and bright yellow caps. See www.fixtureworks.net for colors.

INCH

Part # Steel	Part # Stainless	D	D1	D2	D3	H	H1	T
06092-1AE*	06092-01AE*	8-32	.83	.55	.75	.87	.31	.39
06092-1A1*	06092-01A1*	10-32	.83	.55	.75	.87	.31	.39
06092-1A2*	06092-01A2*	1/4-20	.83	.55	.75	.87	.31	.39
06092-2A3*	06092-02A3*	5/16-18	1.02	.71	.91	1.02	.37	.55
06092-3A3*	06092-03A3*	5/16-18	1.34	.87	1.22	1.42	.51	.55
06092-3A4*	06092-03A4*	3/8-16	1.34	.87	1.22	1.42	.51	.55

* Add the desired cap color to the end of the part number. No color code is required for dark grey. Light Grey = 5, Traffic Red = 6, Bright Yellow = 7

METRIC

Part # Steel	Part # Stainless	D mm	D1 mm	D2 mm	D3 mm	H mm	H1 mm	T mm
06092-104*	06092-0104*	M4	21	14	19	22	8	10
06092-105*	06092-0105*	M5	21	14	19	22	8	10
06092-106*	06092-0106*	M6	21	14	19	22	8	10
06092-208*	06092-0208*	M8	26	18	23	26	9.5	14
06092-308*	06092-0308*	M8	34	22	31	36	13	14
06092-310*	06092-0310*	M10	34	22	31	36	13	14

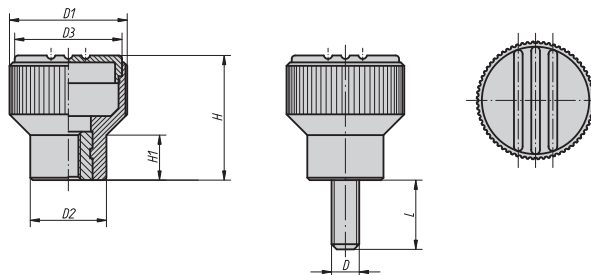
*Add the desired cap color to the end of the part number. No color code is required for dark grey. Light Grey = 5, Traffic Red = 6, Bright Yellow = 7

KNURLED KNOBS

Plastic | Male Threads | Steel and Stainless Studs | Inch and Metric



NOVO-GRIP by



Form sure ergonomic gripping with an attractive appearance. Made from dark grey thermoplastic. The studs are available in steel or stainless steel. They are available with dark grey, light grey, traffic red and bright yellow caps. See www.fixtureworks.net for colors.

INCH

Part # Steel	Part # Stainless	D	L	D1	D2	D3	H	H1
06092-1A1*X10	06092-01A1*X10	10-32	.39	.83	.55	.75	.87	.31
06092-1A1*X20	06092-01A1*X20	10-32	.79	.83	.55	.75	.87	.31
06092-1A2*X20	06092-01A2*X20	1/4-20	.79	.83	.55	.75	.87	.31
06092-1A2*X30	06092-01A2*X30	1/4-20	1.18	.83	.55	.75	.87	.31
06092-2A3*X20	06092-02A3*X20	5/16-18	.79	1.02	.71	.91	1.02	.37
06092-2A3*X40	06092-02A3*X40	5/16-18	1.57	1.02	.71	.91	1.02	.37
06092-3A4*X20	06092-03A4*X20	3/8-16	.79	1.34	.87	1.22	1.42	.51
06092-3A4*X40	06092-03A4*X40	3/8-16	1.57	1.34	.87	1.22	1.42	.51

* Add the desired cap color here. No color code is required for dark grey. Light Grey = 5, Traffic Red = 6, Bright Yellow = 7

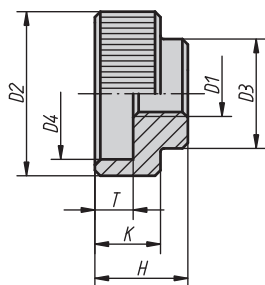
METRIC

Part # Steel	Part # Stainless	D mm	L mm	D1 mm	D2 mm	D3 mm	H mm	H1 mm
06092-105*X10	06092-0105*X10	M5	10	21	14	19	22	8
06092-105*X15	06092-0105*X15	M5	15	21	14	19	22	8
06092-105*X20	06092-0105*X20	M5	20	21	14	19	22	8
06092-105*X25	06092-0105*X25	M5	25	21	14	19	22	8
06092-106*X15	06092-0106*X15	M6	15	21	14	19	22	8
06092-106*X20	06092-0106*X20	M6	20	21	14	19	22	8
06092-106*X25	06092-0106*X25	M6	25	21	14	19	22	8
06092-106*X30	06092-0106*X30	M6	30	21	14	19	22	8
06092-208*X20	06092-0208*X20	M8	20	26	18	23	26	9.5
06092-208*X25	06092-0208*X25	M8	25	26	18	23	26	9.5
06092-208*X30	06092-0208*X30	M8	30	26	18	23	26	9.5
06092-208*X40	06092-0208*X40	M8	40	26	18	23	26	9.5
06092-310*X20	06092-0310*X20	M10	20	34	22	31	36	13
06092-310*X30	06092-0310*X30	M10	30	34	22	31	36	13
06092-310*X40	06092-0310*X40	M10	40	34	22	31	36	13

* Add the desired cap color here. No color code is required for dark grey. Light Grey = 5, Traffic Red = 6, Bright Yellow = 7

KNURLED KNOBS

Steel and Stainless Steel | Inch and Metric



Knurled for easy gripping. Steel parts have a black oxide finish. Stainless is natural finish. Inch threads are only available in stainless. Thread through hole mounting.

INCH

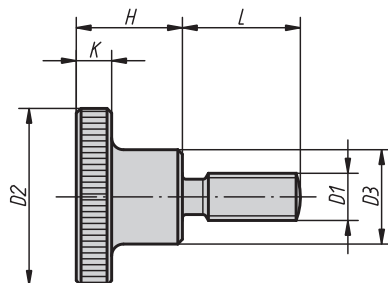
Part # Stainless	D1 Thread	D2	D3	D4	H	K	T
06010-1A02	10-24	.79	.55	.59	.47	.31	.20
06010-1A22	1/4-20	.94	.63	.71	.55	.39	.24
06010-1A32	5/16-18	1.18	.79	.94	.67	.47	.28
06010-1A42	3/8-16	1.42	1.10	1.18	.79	.55	.31
06010-1A52	1/2-13	1.57	1.26	1.34	.94	.63	.39

METRIC

Part # Steel	Part # Stainless	D1 Thread	D2 mm	D3 mm	D4 mm	H mm	K mm	T mm
06010-105	06010-1052	M5	20	14	15	12	8	5
06010-106	06010-1062	M6	24	16	18	14	10	6
06010-108	06010-1082	M8	30	20	24	17	12	7
06010-110	06010-1102	M10	36	28	30	20	14	8
06010-112	06010-1122	M12	40	32	34	24	16	10

KNURLED THUMB SCREWS

Steel and Stainless Steel | Inch and Metric



Knurled for easy gripping. Steel parts have a black oxide finish. Stainless is natural finish. Inch threads are only available in stainless.

INCH

Part # Stainless	D1 Thread	D2	D3	L	H	K
06090-AE2X10	8-32	.63	.31	.39	.37	.14
06090-AE2X16	8-32	.63	.31	.63	.37	.14
06090-AE2X20*	8-32	.63	.31	.79	.37	.14
06090-A02X10	10-24	.79	.39	.39	.45	.16
06090-A02X16	10-24	.79	.39	.63	.45	.16
06090-A02X20*	10-24	.79	.39	.79	.45	.16
06090-A22X10	1/4-20	.94	.47	.39	.59	.20
06090-A22X16	1/4-20	.94	.47	.63	.59	.20
06090-A22X20	1/4-20	.94	.47	.79	.59	.20
06090-A22X25*	1/4-20	.94	.47	.98	.59	.20
06090-A32X16	5/16-18	1.18	.63	.63	.71	.24
06090-A32X20	5/16-18	1.18	.63	.79	.71	.24
06090-A32X25	5/16-18	1.18	.63	.98	.71	.24
06090-A42X20	3/8-16	1.42	.79	.79	.91	.31
06090-A42X25	3/8-16	1.42	.79	.98	.91	.31

* The screw does not have an undercut.

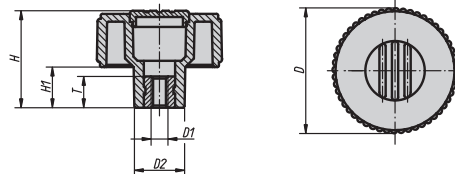
METRIC

Part # Steel	Part # Stainless	D1 Thread	D2 mm	D3 mm	L mm	H mm	K mm
06090-04X10	06090-042X10	M4	16	8	10	9.5	3.5
06090-04X16	06090-042X16	M4	16	8	16	9.5	3.5
06090-04X20*	06090-042X20*	M4	16	8	20	9.5	3.5
06090-05X10	06090-052X10	M5	20	10	10	11.5	4
06090-05X16	06090-052X16	M5	20	10	16	11.5	4
06090-05X20*	06090-052X20*	M5	20	10	20	11.5	4
06090-06X10	06090-062X10	M6	24	12	10	15	5
06090-06X16	06090-062X16	M6	24	12	16	15	5
06090-06X20	06090-062X20	M6	24	12	20	15	5
06090-06X25*	06090-062X25*	M6	24	12	25	15	5
06090-08X16	06090-082X16	M8	30	16	16	18	6
06090-08X20	06090-082X20	M8	30	16	20	18	6
06090-08X25	06090-082X25	M8	30	16	25	18	6
06090-08X30*	06090-082X30*	M8	30	16	30	18	6
06090-10X20	06090-102X20	M10	36	20	20	23	8
06090-10X25	06090-102X25	M10	36	20	25	23	8
06090-10X30	06090-102X30	M10	36	20	30	23	8
06090-10X40*	06090-102X40*	M10	36	20	40	23	8

* The screw does not have an undercut.

KNURLED WHEELS

Plastic | Female Threads | Stainless Steel Inserts | Inch and Metric



Form D
Tapped Through
Hole Without Cap
Form K
Tapped Through
Hole With Cap

Firm sure ergonomic gripping with an attractive appearance. Made from dark grey thermoplastic. Inserts are stainless steel. They are available with dark grey, light grey, traffic red and bright yellow caps. See www.fixtureworks.net for colors.

INCH

Part # Form D	Part # Form K	D	D1	D2	H	H1	T
06267-11A1	06267-21A1*	1.57	10-32	.65	1.22	.51	.39
06267-11A2	06267-21A2*	1.57	1/4-20	.65	1.22	.51	.39
06267-11A3	06267-21A3*	1.57	5/16-18	.65	1.22	.51	.55
06267-12A3	06267-22A3*	1.97	5/16-18	.71	1.42	.59	.55
06267-12A4	06267-22A4*	1.97	3/8-16	.71	1.42	.59	.55
06267-13A4	06267-23A4*	2.48	3/8-16	.87	1.61	.67	.55
06267-13A5	06267-23A5*	2.48	1/2-13	.87	1.61	.67	.71

* Add the desired cap color here. No color code is required for dark grey. Light Grey = 5, Traffic Red = 6, Bright Yellow = 7

METRIC

Part # Form D	Part # Form K	D mm	D1 mm	D2 mm	H mm	H1 mm	T mm
06267-1105	06267-2105*	40	M5	16.5	31	13	10
06267-1106	06267-2106*	40	M6	16.5	31	13	10
06267-1108	06267-2108*	40	M8	16.5	31	13	14
06267-1208	06267-2208*	50	M8	18	36	15	14
06267-1210	06267-2210*	50	M10	18	36	15	14
06267-1310	06267-2310*	63	M10	22	41	17	14
06267-1312	06267-2312*	63	M12	22	41	17	18

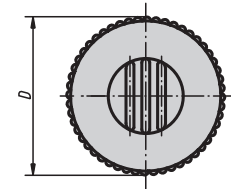
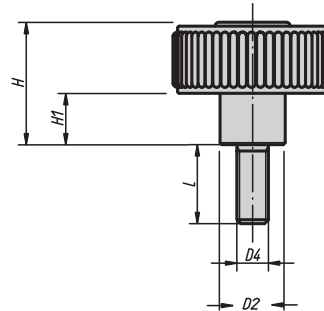
* Add the desired cap color here. No color code is required for dark grey. Light Grey = 5, Traffic Red = 6, Bright Yellow = 7

KNURLED WHEELS

Plastic | Male Threads | Steel Studs | Inch and Metric



Novo-GRIP by Kipp



Form sure ergonomic gripping with an attractive appearance. Made from dark grey thermoplastic. Studs are steel. They are available with dark grey, light grey, traffic red and bright yellow caps. See www.fixtureworks.net for colors.

INCH

Part # Form L	D4	L	D	D2	H	H1
06266-51A1*X10	10-32	.39	1.57	.65	1.22	.51
06266-51A1*X20	10-32	.79	1.57	.65	1.22	.51
06266-51A2*X20	1/4-20	.79	1.57	.65	1.22	.51
06266-51A2*X30	1/4-20	1.18	1.57	.65	1.22	.51
06266-51A3*X20	5/16-18	.79	1.57	.65	1.22	.51
06266-51A3*X40	5/16-18	1.57	1.57	.65	1.22	.51
06266-52A3*X20	5/16-18	.79	1.97	.71	1.42	.59
06266-52A3*X40	5/16-18	1.57	1.97	.71	1.42	.59
06266-52A4*X20	3/8-16	.79	1.97	.71	1.42	.59
06266-52A4*X40	3/8-16	1.57	1.97	.71	1.42	.59
06266-53A4*X20	3/8-16	.79	2.48	.87	1.61	.67
06266-53A4*X40	3/8-16	1.57	2.48	.87	1.61	.67
06266-53A5*X30	1/2-13	1.18	2.48	.87	1.61	.67
06266-53A5*X60	1/2-13	2.36	2.48	.87	1.61	.67

* Add the desired cap color here. No color code is required for dark grey. Light Grey = 5, Traffic Red = 6, Bright Yellow = 7

METRIC

Part # Form L	D4 mm	L mm	D mm	D2 mm	H mm	H1 mm
06266-5105*X10	M5	10	40	16.5	31	13
06266-5105*X20	M5	20	40	16.5	31	13
06266-5105*X40	M5	40	40	16.5	31	13
06266-5106*X10	M6	10	40	16.5	31	13
06266-5106*X20	M6	20	40	16.5	31	13
06266-5106*X40	M6	40	40	16.5	31	13
06266-5108*X15	M8	15	40	16.5	31	13
06266-5108*X30	M8	30	40	16.5	31	13
06266-5108*X60	M8	60	40	16.5	31	13
06266-5208*X15	M8	15	50	18	36	15
06266-5208*X30	M8	30	50	18	36	15
06266-5208*X60	M8	60	50	18	36	15
06266-5210*X20	M10	20	50	18	36	15
06266-5210*X30	M10	30	50	18	36	15
06266-5210*X60	M10	60	50	18	36	15
06266-5310*X20	M10	20	63	22	41	17
06266-5310*X30	M10	30	63	22	41	17
06266-5310*X60	M10	60	63	22	41	17
06266-5312*X30	M12	30	63	22	41	17
06266-5312*X60	M12	60	63	22	41	17

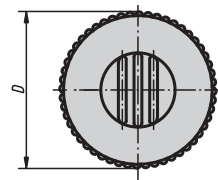
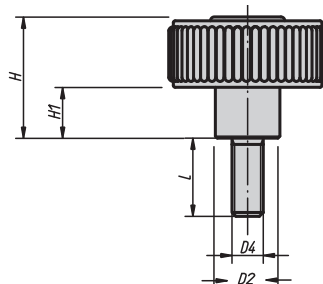
* Add the desired cap color here. No color code is required for dark grey. Light Grey = 5, Traffic Red = 6, Bright Yellow = 7

KNURLED WHEELS

Plastic | Male Threads | Stainless Steel Studs | Inch and Metric



Novo-GRIP by



Firm sure ergonomic gripping with an attractive appearance. Made from grey thermoplastic. Studs are stainless steel. They are available with dark grey, light grey, traffic red and bright yellow caps. See www.fixtureworks.net for colors.

INCH

Part #	D	D2	D4	L	H	H1
06267-51A1*X10	1.57	.65	10-32	.39	1.22	.51
06267-51A1*X20	1.57	.65	10-32	.79	1.22	.51
06267-51A2*X20	1.57	.65	1/4-20	.79	1.22	.51
06267-51A2*X30	1.57	.65	1/4-20	1.18	1.22	.51
06267-51A3*X20	1.57	.65	5/16-18	.79	1.22	.51
06267-51A3*X40	1.57	.65	5/16-18	1.57	1.22	.51
06267-52A3*X20	1.97	.71	5/16-18	.79	1.42	.59
06267-52A3*X40	1.97	.71	5/16-18	1.57	1.42	.59
06267-52A4*X20	1.97	.71	3/8-16	.79	1.42	.59
06267-52A4*X40	1.97	.71	3/8-16	1.57	1.42	.59
06267-53A4*X20	2.48	.87	3/8-16	.79	1.61	.67
06267-53A4*X40	2.48	.87	3/8-16	1.57	1.61	.67

* Add the desired cap color here. No color code is required for dark grey. Light Grey = 5, Traffic Red = 6, Bright Yellow = 7

METRIC

Part #	D mm	D2 mm	D4 mm	L mm	H mm	H1 mm
06267-5105*X10	40	16.5	M5	10	31	13
06267-5105*X20	40	16.5	M5	20	31	13
06267-5106*X10	40	16.5	M6	10	31	13
06267-5106*X20	40	16.5	M6	20	31	13
06267-5106*X40	40	16.5	M6	40	31	13
06267-5108*X15	40	16.5	M8	15	31	13
06267-5108*X30	40	16.5	M8	30	31	13
06267-5108*X60	40	16.5	M8	60	31	13
06267-5208*X15	50	18	M8	15	36	15
06267-5208*X30	50	18	M8	30	36	15
06267-5208*X60	50	18	M8	60	36	15
06267-5210*X20	50	18	M10	20	36	15
06267-5210*X30	50	18	M10	30	36	15
06267-5210*X60	50	18	M10	60	36	15
06267-5310*X20	63	22	M10	20	41	17
06267-5310*X30	63	22	M10	30	41	17
06267-5310*X60	63	22	M10	60	41	17

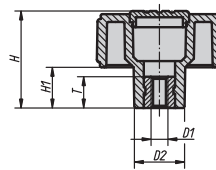
* Add the desired cap color here. No color code is required for dark grey. Light Grey = 5, Traffic Red = 6, Bright Yellow = 7

KNURLED WHEELS

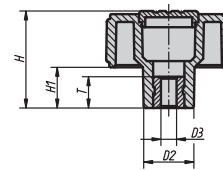
Plastic | Female Threads | Steel Inserts | Inch and Metric



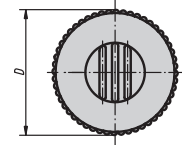
NOVO-GRIP by



Form D
Tapped Through
Hole Without Cap
Form K
Tapped Through
Hole With Cap



Form E
Reamed Through
Hole Without Cap
Form H
Reamed Through
Hole With Cap



Firm sure ergonomic gripping with an attractive appearance. Made from dark grey thermoplastic. Inserts are steel. They are available with dark grey, light grey, traffic red and bright yellow caps. See www.fixtureworks.net for colors.

INCH

Part # Form D	Part # Form E	Part # Form H	Part # Form K	D	D1	D2	D3	H	H1	T
06266-11A1	—	—	06266-21A1*	1.57	10-32	.65	—	1.22	.51	.39
06266-11A2	06266-31CM	06266-41CM*	06266-21A2*	1.57	1/4-20	.65	.250	1.22	.51	.39
06266-11A3	—	—	06266-21A3*	1.57	5/16-18	.65	—	1.22	.51	.55
06266-12A3	06266-32CN	06266-42CN*	06266-22A3*	1.97	5/16-18	.71	.312	1.42	.59	.55
06266-12A4	—	—	06266-22A4*	1.97	3/8-16	.71	—	1.42	.59	.55
06266-13A4	06266-33CO	06266-43CO*	06266-23A4*	2.48	3/8-16	.87	.375	1.61	.67	.55
06266-13A5	—	—	06266-23A5*	2.48	1/2-13	.87	—	1.61	.67	.71

* Add the desired cap color here. No color code is required for dark grey. Light Grey = 5, Traffic Red = 6, Bright Yellow = 7

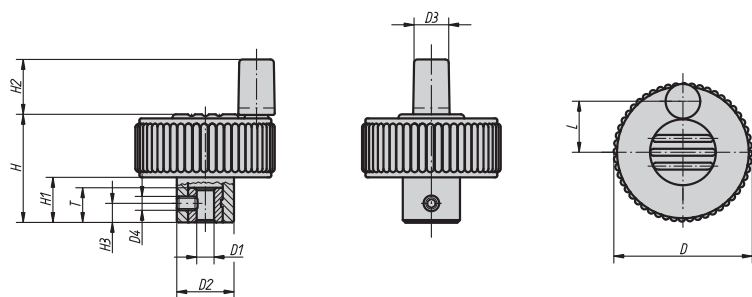
METRIC

Part # Form D	Part # Form E	Part # Form H	Part # Form K	D mm	D1 mm	D2 mm	D3 mm	H mm	H1 mm	T mm
06266-1105	—	—	06266-2105*	40	M5	16.5	—	31	13	10
06266-1106	06266-3106	06266-4106*	06266-2106*	40	M6	16.5	6	31	13	10
06266-1108	—	—	06266-2108*	40	M8	16.5	—	31	13	14
06266-1208	06266-3208	06266-4208*	06266-2208*	50	M8	18	8	36	15	14
06266-1210	—	—	06266-2210*	50	M10	18	—	36	15	14
06266-1310	06266-3310	06266-4310*	06266-2310*	63	M10	22	10	41	17	14
06266-1312	—	—	06266-2312*	63	M12	22	—	41	17	18

* Add the desired cap color here. No color code is required for dark grey. Light Grey = 5, Traffic Red = 6, Bright Yellow = 7

POSITIONING WHEELS

Plastic | Inch & Metric



The attractive design and ergonomic features offer firm safe gripping. Made from dark grey thermoplastic. The insert is made from steel. They are available with dark grey, light grey, traffic red and bright yellow caps. See www.fixtureworks.net for colors. The set screw style has a crossed tapped hole and set screw for tightening onto a shaft.

INCH

Part # w/o Set Screw	Part # w/ Set Screw	D	D1	D2	D3	D4	H	H1	H2	H3	L	T
06268-21CM*	06268-11CM*	1.57	.250	.65	.39	M4	1.22	.51	.63	.22	.59	.39
06268-22CM*	06268-12CM*	1.97	.250	.71	.39	M4	1.42	.59	.63	.22	.73	.39
06268-23CN*	06268-13CN*	2.48	.312	.87	.39	M4	1.61	.67	.63	.31	.98	.55

* Add the desired cap color to the end of the part number. No color code is required for dark grey. Light Grey = 5, Traffic Red = 6, Bright Yellow = 7

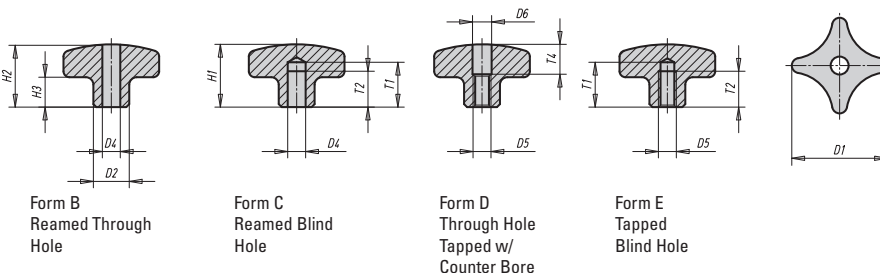
METRIC

Part # w/o Set Screw	Part # w/ Set Screw	D mm	D1 mm	D2 mm	D3 mm	D4 mm	H mm	H1 mm	H2 mm	H3 mm	L mm	T mm
06268-2106*	06268-1106*	40	6	16.5	10	M4	31	13	16	5.5	15	10
06268-2206*	06268-1206*	50	6	18	10	M4	36	15	16	5.5	18.5	10
06268-2308*	06268-1308*	63	8	22	10	M4	41	17	16	8	25	14

* Add the desired cap color to the end of the part number. No color code is required for dark grey. Light Grey = 5, Traffic Red = 6, Bright Yellow = 7

PALM GRIPS

Stainless Steel | Inch and Metric



These stainless steel palm grips offer ergonomic design, good gripping and attractive appearance. They are offered with four mounting configurations as shown. The finish is ground and polished.

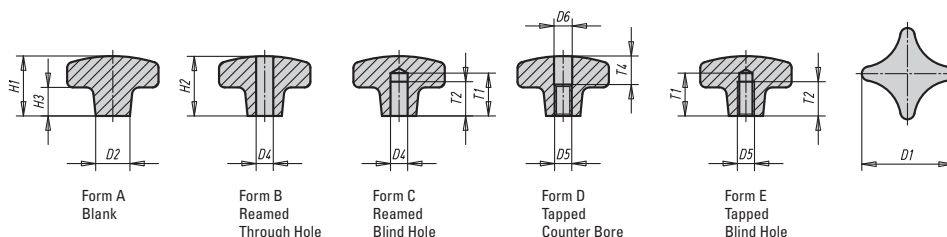
INCH

Part # Form B	Part # Form C	Part # Form D	Part # Form E	D1	D2	D4	D5	D6	H1	H2	H3	T1	T2	T4
06158-2032CM2	06158-3032CM2	06158-4032A22	06158-5032A22	1.26	.47	.250	1/4-20	.25	.83	.79	.39	.59	.47	.39
06158-2040CN2	06158-3040CN2	06158-4040A32	06158-5040A32	1.57	.55	.312	5/16-18	.33	1.02	.98	.51	.71	.59	.47
06158-2050CO2	06158-3050CO2	06158-4050A42	06158-5050A42	1.97	.71	.375	3/8-16	.41	1.34	1.26	.67	.83	.71	.63
06158-2063CP2	06158-3063CP2	06158-4063A52	06158-5063A52	2.48	.79	.500	1/2-13	.51	1.65	1.57	.83	.98	.87	.79

METRIC

Part # Form B	Part # Form C	Part # Form D	Part # Form E	D1 mm	D2 mm	D4 mm	D5 mm	D6 mm	H1 mm	H2 mm	H3 mm	T1 mm	T2 mm	T4 mm
06158-2032062	06158-3032062	06158-4032062	06158-5032062	32	12	6	M6	6.4	21	20	10	15	12	10
06158-2040082	06158-3040082	06158-4040082	06158-5040082	40	14	8	M8	8.4	26	25	13	18	15	12
06158-2050102	06158-3050102	06158-4050102	06158-5050102	50	18	10	M10	10.5	34	32	17	21	18	16
06158-2063122	06158-3063122	06158-4063122	06158-5063122	63	20	12	M12	13	42	40	21	25	22	20

Cast Iron | Inch and Metric



These grey cast iron palm grips are offered with five mounting configurations as shown. All styles have a natural tumbled finish except form A, which is de-burred raw casting.

INCH

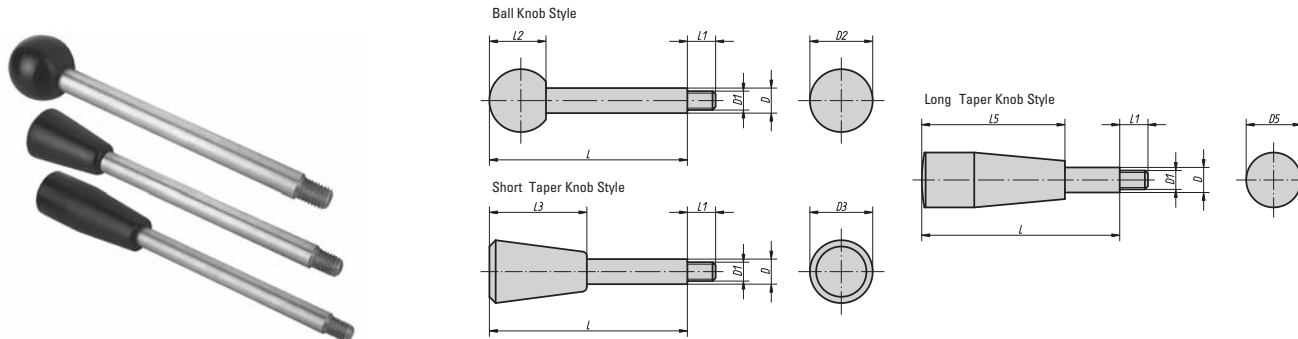
Part # Form A	Part # Form B	Part # Form C	Part # Form D	Part # Form E	D1	D2	D4	D5	D6	H1	H2	H3	T1	T2	T4
06160-106	06160-2CM	06160-3CM	06160-4A2	06160-5A2	1.26	.47	.250	1/4-20	.25	.83	.79	.39	.59	.47	.39
06160-108	06160-2CN	06160-3CN	06160-4A3	06160-5A3	1.57	.55	.312	5/16-18	.33	1.02	.98	.55	.71	.59	.47
06160-110	06160-2CO	06160-3CO	06160-4A4	06160-5A4	1.97	.71	.375	3/8-16	.41	1.34	1.26	.79	.83	.71	.63
06160-112	06160-2CP	06160-3CP	06160-4A5	06160-5A5	2.48	.79	.500	1/2-13	.51	1.65	1.57	.98	.98	.87	.79
06160-116	06160-2CQ	06160-3CQ	06160-4A6	06160-5A6	3.15	.98	.625	5/8-11	.67	2.05	1.97	1.18	1.26	1.10	1.18
06160-120	06160-2CR	06160-3CR	06160-4A7	06160-5A7	3.94	1.26	.750	3/4-10	.83	2.56	2.48	1.50	1.57	1.42	1.50

METRIC

Part # Form A	Part # Form B	Part # Form C	Part # Form D	Part # Form E	D1 mm	D2 mm	D4 mm	D5 mm	D6 mm	H1 mm	H2 mm	H3 mm	T1 mm	T2 mm	T4 mm
06160-106	06160-206	06160-306	06160-406	06160-506	32	12	6	M6	6.4	21	20	10	15	12	10
06160-108	06160-208	06160-308	06160-408	06160-508	40	14	8	M8	8.4	26	25	14	18	15	12
06160-110	06160-210	06160-310	06160-410	06160-510	50	18	10	M10	10.5	34	32	20	21	18	16
06160-112	06160-212	06160-312	06160-412	06160-512	63	20	12	M12	13	42	40	25	25	22	20
06160-116	06160-216	06160-316	06160-416	06160-516	80	25	16	M16	17	52	50	30	32	28	30
06160-120	06160-220	06160-320	06160-420	06160-520	100	32	20	M20	21	65	63	38	40	36	38

GEAR LEVERS

Steel and Stainless Steel | Inch and Metric



These gear levers have a wide variety of uses on machines, fixtures and other equipment. They provide good gripping and leverage for positioning, tightening, adjusting, etc. The steel shafts have a black oxide finish. The stainless shafts have a natural finish. The knob is made from black plastic.

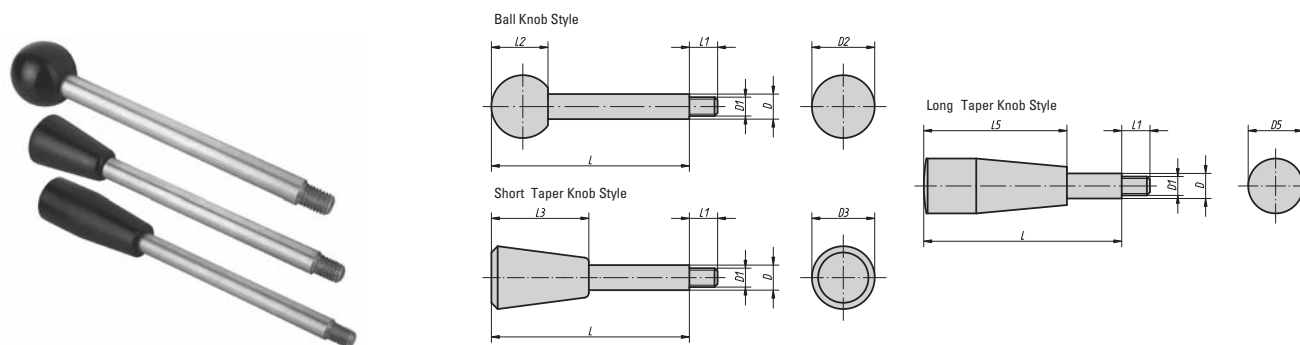
Ball Knob Style

INCH							
Part # Steel	Part # Stainless	D	D1	D2	L	L1	L2
06360-2A2X35	06360-12A2X35	.31	1/4-20	.79	1.38	.35	.71
06360-2A2X50	06360-12A2X50	.31	1/4-20	.79	1.97	.35	.71
06360-2A2X65	06360-12A2X65	.31	1/4-20	.79	2.56	.35	.71
06360-2A3X50	06360-12A3X50	.39	5/16-18	.98	1.97	.51	.89
06360-2A3X65	06360-12A3X65	.39	5/16-18	.98	2.56	.51	.89
06360-2A3X80	06360-12A3X80	.39	5/16-18	.98	3.15	.51	.89
06360-2A3X100	06360-12A3X100	.39	5/16-18	.98	3.94	.51	.89
06360-2A4X65	06360-12A4X65	.47	3/8-16	1.26	2.56	.59	1.14
06360-2A4X80	06360-12A4X80	.47	3/8-16	1.26	3.15	.59	1.14
06360-2A4X100	06360-12A4X100	.47	3/8-16	1.26	3.94	.59	1.14
06360-2A4X125	06360-12A4X125	.47	3/8-16	1.26	4.92	.59	1.14
06360-2A5X80	06360-12A5X80	.55	1/2-13	1.38	3.15	.63	1.28
06360-2A5X100	06360-12A5X100	.55	1/2-13	1.38	3.94	.63	1.28
06360-2A5X125	06360-12A5X125	.55	1/2-13	1.38	4.92	.63	1.28
06360-2A5X160	06360-12A5X160	.55	1/2-13	1.38	6.30	.63	1.28

METRIC							
Part # Steel	Part # Stainless	D mm	D1 mm	D2 mm	L mm	L1 mm	L2 mm
06360-208X35	06360-1208X35	8	M6	20	35	9	18
06360-208X50	06360-1208X50	8	M6	20	50	9	18
06360-208X65	06360-1208X65	8	M6	20	65	9	18
06360-210X50	06360-1210X50	10	M8	25	50	13	22.5
06360-210X65	06360-1210X65	10	M8	25	65	13	22.5
06360-210X80	06360-1210X80	10	M8	25	80	13	22.5
06360-210X100	06360-1210X100	10	M8	25	100	13	22.5
06360-212X65	06360-1212X65	12	M10	32	65	15	29
06360-212X80	06360-1212X80	12	M10	32	80	15	29
06360-212X100	06360-1212X100	12	M10	32	100	15	29
06360-212X125	06360-1212X125	12	M10	32	125	15	29
06360-214X80	06360-1214X80	14	M12	35	80	16	32.5
06360-214X100	06360-1214X100	14	M12	35	100	16	32.5
06360-214X125	06360-1214X125	14	M12	35	125	16	32.5
06360-214X160	06360-1214X160	14	M12	35	160	16	32.5

GEAR LEVERS

Steel and Stainless Steel | Inch and Metric (continued)



Short Taper Knob Style

INCH

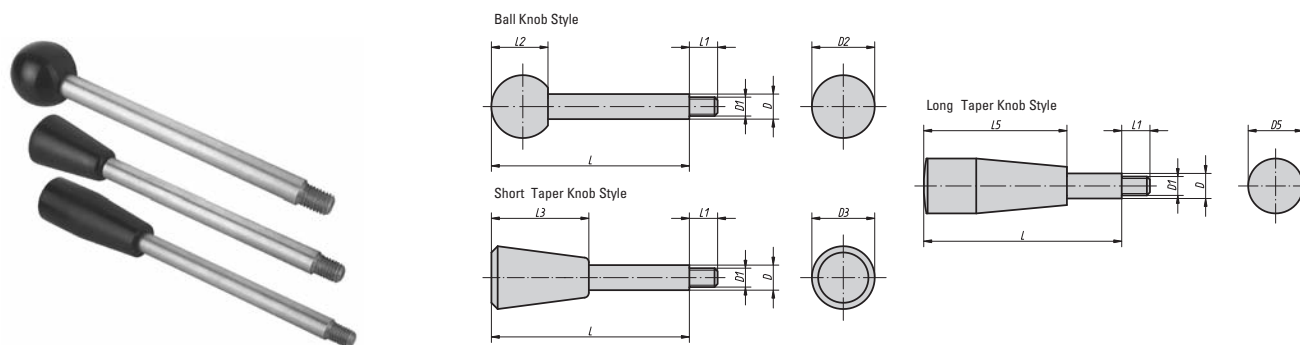
Part # Steel	Part # Stainless	D	D1	D3	L	L1	L3
06360-4A2X35	06360-14A2X35	.31	1/4-20	.79	1.38	.35	1.18
06360-4A2X50	06360-14A2X50	.31	1/4-20	.79	1.97	.35	1.18
06360-4A2X65	06360-14A2X65	.31	1/4-20	.79	2.56	.35	1.18
06360-4A3X50	06360-14A3X50	.39	5/16-18	.98	1.97	.51	1.50
06360-4A3X65	06360-14A3X65	.39	5/16-18	.98	2.56	.51	1.50
06360-4A3X80	06360-14A3X80	.39	5/16-18	.98	3.15	.51	1.50
06360-4A3X100	06360-14A3X100	.39	5/16-18	.98	3.94	.51	1.50
06360-4A4X65	06360-14A4X65	.47	3/8-16	1.18	2.56	.59	1.81
06360-4A4X80	06360-14A4X80	.47	3/8-16	1.18	3.15	.59	1.81
06360-4A4X100	06360-14A4X100	.47	3/8-16	1.18	3.94	.59	1.81
06360-4A4X125	06360-14A4X125	.47	3/8-16	1.18	4.92	.59	1.81
06360-4A5X80	06360-14A5X80	.55	1/2-13	1.38	3.15	.63	2.09
06360-4A5X100	06360-14A5X100	.55	1/2-13	1.38	3.94	.63	2.09
06360-4A5X125	06360-14A5X125	.55	1/2-13	1.38	4.92	.63	2.09
06360-4A5X160	06360-14A5X160	.55	1/2-13	1.38	6.30	.63	2.09

METRIC

Part # Steel	Part # Stainless	D mm	D1 mm	D3 mm	L mm	L1 mm	L3 mm
06360-408X35	06360-1408X35	8	M6	20	35	9	30
06360-408X50	06360-1408X50	8	M6	20	50	9	30
06360-408X65	06360-1408X65	8	M6	20	65	9	30
06360-410X50	06360-1410X50	10	M8	25	50	13	38
06360-410X65	06360-1410X65	10	M8	25	65	13	38
06360-410X80	06360-1410X80	10	M8	25	80	13	38
06360-410X100	06360-1410X100	10	M8	25	100	13	38
06360-412X65	06360-1412X65	12	M10	30	65	15	46
06360-412X80	06360-1412X80	12	M10	30	80	15	46
06360-412X100	06360-1412X100	12	M10	30	100	15	46
06360-412X125	06360-1412X125	12	M10	30	125	15	46
06360-414X80	06360-1414X80	14	M12	35	80	16	53
06360-414X100	06360-1414X100	14	M12	35	100	16	53
06360-414X125	06360-1414X125	14	M12	35	125	16	53
06360-414X160	06360-1414X160	14	M12	35	160	16	53

GEAR LEVERS

Steel and Stainless Steel | Inch and Metric (continued)



Long Taper Knob Style

INCH

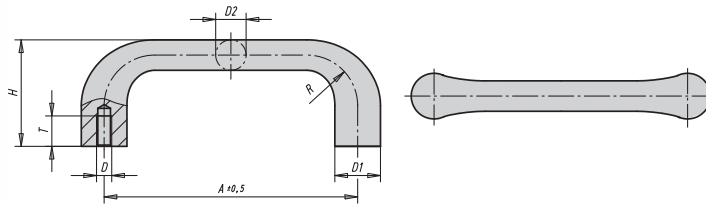
Part # Steel	Part # Stainless	D	D1	D5	L	L1	L5
06360-6A2X35	06360-16A2X35	.31	1/4-20	.67	1.38	.35	1.77
06360-6A2X50	06360-16A2X50	.31	1/4-20	.67	1.97	.35	1.77
06360-6A2X65	06360-16A2X65	.31	1/4-20	.67	2.56	.35	1.77
06360-6A3X50	06360-16A3X50	.39	5/16-18	.91	1.97	.51	2.36
06360-6A3X65	06360-16A3X65	.39	5/16-18	.91	2.56	.51	2.36
06360-6A3X80	06360-16A3X80	.39	5/16-18	.91	3.15	.51	2.36
06360-6A3X100	06360-16A3X100	.39	5/16-18	.91	3.94	.51	2.36
06360-6A4X65	06360-16A4X65	.47	3/8-16	1.10	2.56	.59	2.76
06360-6A4X80	06360-16A4X80	.47	3/8-16	1.10	3.15	.59	2.76
06360-6A4X100	06360-16A4X100	.47	3/8-16	1.10	3.94	.59	2.76
06360-6A4X125	06360-16A4X125	.47	3/8-16	1.10	4.92	.59	2.76
06360-6A5X80	06360-16A5X80	.55	1/2-13	1.10	3.15	.63	2.76
06360-6A5X100	06360-16A5X100	.55	1/2-13	1.10	3.94	.63	2.76
06360-6A5X125	06360-16A5X125	.55	1/2-13	1.10	4.92	.63	2.76
06360-6A5X160	06360-16A5X160	.55	1/2-13	1.10	6.30	.63	2.76

METRIC

Part # Steel	Part # Stainless	D mm	D1 mm	D5 mm	L mm	L1 mm	L5 mm
06360-608X35	06360-1608X35	8	M6	17	35	9	45
06360-608X50	06360-1608X50	8	M6	17	50	9	45
06360-608X65	06360-1608X65	8	M6	17	65	9	45
06360-610X50	06360-1610X50	10	M8	23	50	13	60
06360-610X65	06360-1610X65	10	M8	23	65	13	60
06360-610X80	06360-1610X80	10	M8	23	80	13	60
06360-610X100	06360-1610X100	10	M8	23	100	13	60
06360-612X65	06360-1612X65	12	M10	28	65	15	70
06360-612X80	06360-1612X80	12	M10	28	80	15	70
06360-612X100	06360-1612X100	12	M10	28	100	15	70
06360-612X125	06360-1612X125	12	M10	28	125	15	70
06360-614X80	06360-1614X80	14	M12	28	80	16	70
06360-614X100	06360-1614X100	14	M12	28	100	16	70
06360-614X125	06360-1614X125	14	M12	28	125	16	70
06360-614X160	06360-1614X160	14	M12	28	160	16	70

STIRRUP-SHAPED PULL HANDLES

Cast Iron | Metric

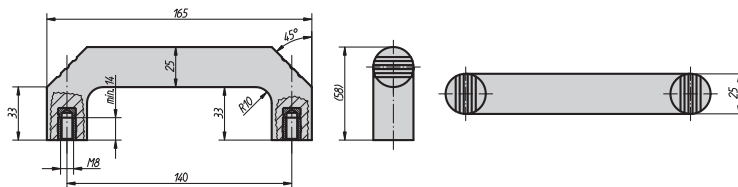


Made from cast iron. Available in natural tumbled finish or black powder coating.

METRIC

Part # Tumbled	Part # Black	A mm	D mm	D1 mm	D2 mm	H mm	R mm	T mm	Max Load N
06895-10006	06895-100061	100	M6	18	12	42	20	12	1000
06895-11208	06895-112081	112	M8	20	14	47	22	15	1000
06895-12510	06895-125101	125	M10	22	16	53	24	18	1000
06895-14012	06895-140121	140	M12	25	18	59	26	20	1000

Plastic | Brass and Steel Bushings | Metric



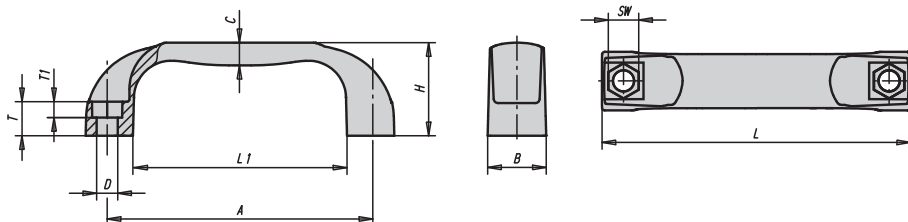
Made from black duroplast plastic. High polish finish. Bushings in brass or galvanized steel.

METRIC

Part #	Bushing Type
06901-114008	Brass
06901-214008	Steel

STIRRUP-SHAPED PULL HANDLES

Thermoplastic | Metric



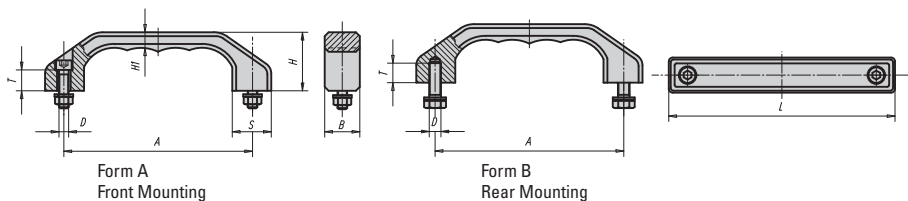
Made from anthracite grey thermoplastic. The fastening holes are designed so the handles can be secured from the top side with socket head screw or with a hex nut.

METRIC

Part #	+/-0.5 A mm	B mm	C mm	D mm	H mm	L mm	L1 mm	T mm	T1 mm	SW mm	Max Load N
06903-109406	94	21	8	6.6	36	109	76	13	6	10	1000
06903-111708	117	26	10	9	41	136	94	15	8	13	1500
06903-113208	132	27	11	9	44	154	112	16	8	13	1500
06903-117908*	179	28	11	9	50	197	156	17	8	13	1500

* A tolerance is +/-1.0

Stainless Steel | Metric



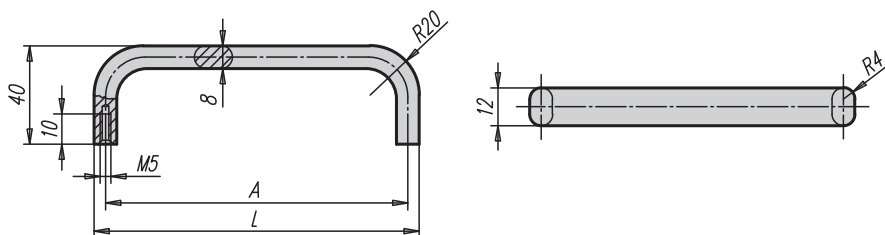
Made from precision cast stainless steel. Blasted and electro-polished with matte gloss finish. Front or rear mounting styles.

METRIC

Part # Form A	Part # Form B	A mm	B mm	Form A D mm	Form B D mm	H mm	H1 mm	L mm	S mm	T mm	Max Load N
06914-140081	06914-140082	140	25	M8 x 30	M8 x 18	45	12	170	28	15	1000
06914-180101	06914-180102	180	32	M10 x 40	M10 x 20	58	15	218	36	18	1000

STIRRUP-SHAPED PULL HANDLES

Aluminum | Metric

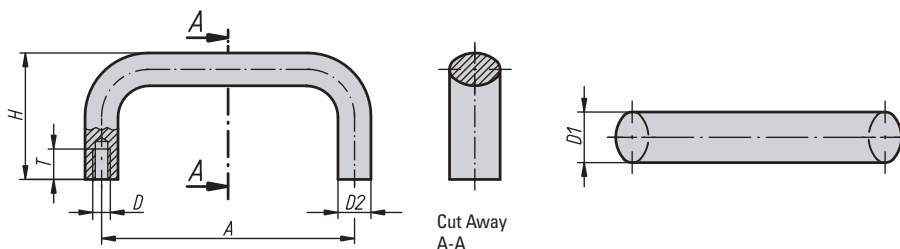


Made from aluminum with matte finish. Available with either natural or black anodized finish.

METRIC

Part # Black	Part # Natural	A mm	L mm	Max Load N
06918-055051	06918-055053	55	63	500
06918-088051	06918-088053	88	96	500
06918-100051	06918-100053	100	108	500
06918-120051	06918-120053	120	128	500
06918-180051	06918-180053	180	188	500
06918-200051	06918-200053	200	208	500
06918-235051	06918-235053	235	243	500
06918-250051	06918-250053	250	258	500

Aluminum | Metric



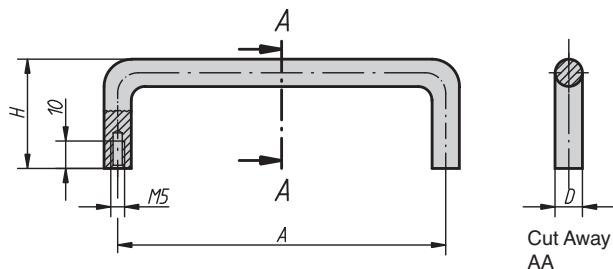
Made from aluminum with matte finish. Available with either natural anodized or black powder coat finish.

METRIC

Part # Black	Part # Natural	A mm	D mm	D1 mm	D2 mm	H mm	T mm	Max Load N
06920-10001	06920-10003	100	M6	20	13	50	12	1000
06920-11201	06920-11203	112	M6	20	13	50	12	1000
06920-12001	06920-12003	120	M6	20	13	50	12	1000
06920-12801	06920-12803	128	M6	20	13	50	12	1000
06920-1600106	06920-1600306	160	M6	20	13	50	12	1000
06920-1120108	06920-1120308	112	M8	26	17	55	14	1000
06920-1200108	06920-1200308	120	M8	26	17	55	14	1000
06920-1280108	06920-1280308	128	M8	26	17	55	14	1000
06920-16001	06920-16003	160	M8	26	17	55	14	1000
06920-18001	06920-18003	180	M8	26	17	55	14	1000
06920-19201	06920-19203	192	M8	26	17	55	14	1000
06920-35001	06920-35003	350	M8	26	17	55	14	1000

STIRRUP-SHAPED PULL HANDLES

Stainless Steel | Metric

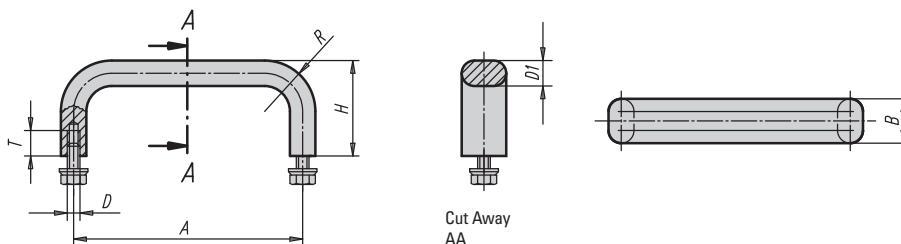


Made from stainless steel with an electrolytic-polish finish. Ideal for food or medical applications.

METRIC

Part #	A mm	D mm	H mm	Max Load N
06922-100	100	8	35	1000
06922-120	120	10	40	1000
06922-250	250	10	40	1000
06922-350	350	10	40	1000

Stainless Steel | Metric



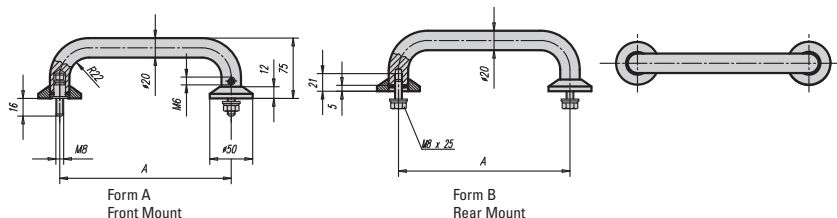
Made from stainless steel with semi-matte finish. Back side mounting. Stainless mounting hardware included.

METRIC

Part #	A mm	B mm	D mm	D1 mm	H mm	R mm	T mm	Max Load N
06924-10005	100	12	M5 x 10	8	40	22	10	1000
06924-12005	120	12	M5 x 10	8	40	22	10	1000
06924-15005	150	12	M5 x 10	8	40	22	10	1000
06924-18005	180	12	M5 x 10	8	40	22	10	1000
06924-25005	250	12	M5 x 10	8	40	22	10	1000
06924-10006	100	19.5	M6 x 12	10	45	24	12	1000
06924-12006	120	19.5	M6 x 12	10	45	24	12	1000
06924-15006	150	19.5	M6 x 12	10	45	24	12	1000
06924-18006	180	19.5	M6 x 12	10	45	24	12	1000
06924-25006	250	19.5	M6 x 12	10	45	24	12	1000

STIRRUP-SHAPED PULL HANDLES

Stainless Steel | Metric



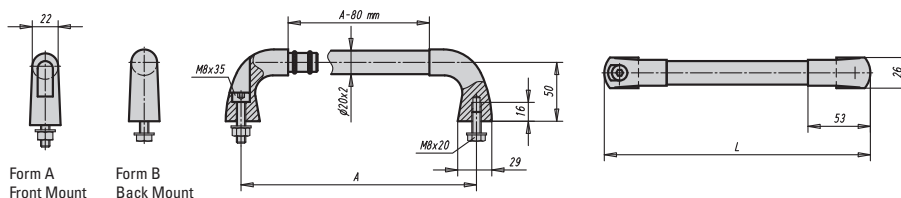
Made from stainless steel with matte-polish brush finish. Flange provides finished look. Front or back side mounting. Stainless mounting hardware included.

METRIC

Part # Form A	Part # Form B	A mm	Max Load N
06931-2001	06931-2002	200	1000
06931-2501	06931-2502	250	1000

TUBE PULL HANDLES

Stainless Steel | Metric



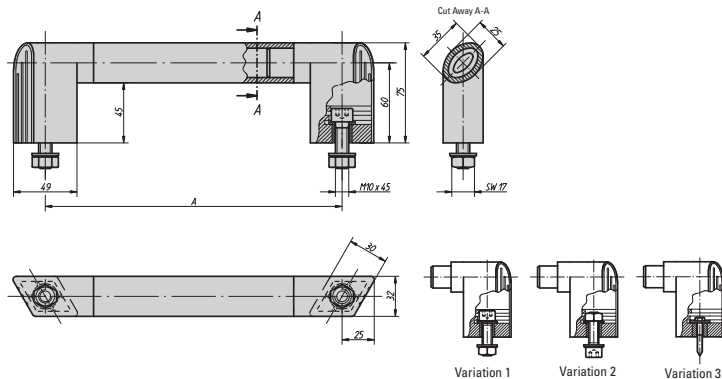
The connecting tubes and mounting hardware are made from stainless steel. The connecting tube is available with ground finish or with a plastic cover. The mounting legs have a matte-finish. Front or back mounting options available. Hardware included.

METRIC

Part # Form A Uncovered	Part # Form A Plastic Cover	Part # Form B Uncovered	Part # Form B Plastic Cover	A mm	L mm	Max Load N
06943-200081	06943-200082	06943-200083	06943-200084	200	226	1000
06943-300081	06943-300082	06943-300083	06943-300084	300	326	1000
06943-400081	06943-400082	06943-400083	06943-400084	400	426	1000

BIG HAND TUBE PULL HANDLES

Aluminum | Metric



Durable and attractive appearance. The corner covers are made from grey thermoplastic. The oval tube is aluminum and available either coated or anodized. The corner covers are supplied unassembled. M10 bolts supplied with variations 1 and 2. 5mm wood screws, dowels, drill template and assembly tool are supplied with variation 3. Available in dark grey, ruby red, raspberry red and ocean blue coating. The black and natural colors are anodized. See www.fixtureworks.net for colors.

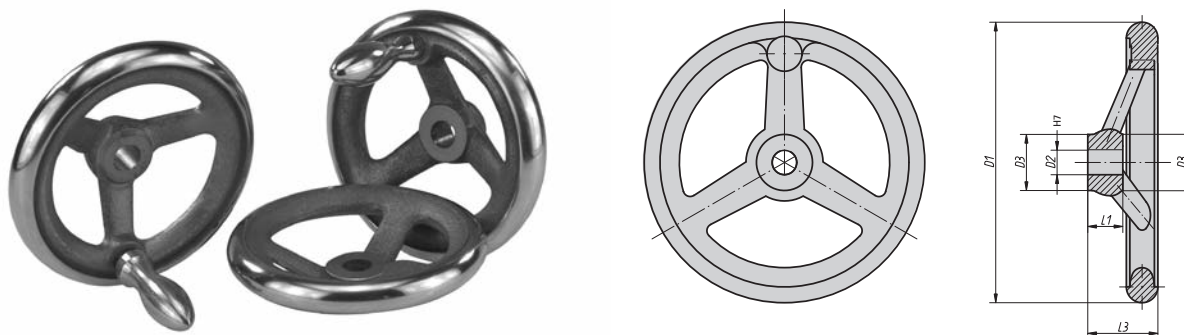
METRIC

Grey Variations 1 & 2	Grey Variation 3	Black Variations 1 & 2	Black Variation 3	Natural Variations 1 & 2	Natural Variation 3	A mm
06948-1180	06948-118011	06948-118001	06948-11801101	06948-118003	06948-11801103	180
06948-1200	06948-120011	06948-120001	06948-12001101	06948-120003	06948-12001103	200
06948-1250	06948-125011	06948-125001	06948-12501101	06948-125003	06948-12501103	250
06948-1300	06948-130011	06948-130001	06948-13001101	06948-130003	06948-13001103	300
06948-1350	06948-135011	06948-135001	06948-13501101	06948-135003	06948-13501103	350
06948-1400	06948-140011	06948-140001	06948-14001101	06948-140003	06948-14001103	400
06948-1500	06948-150011	06948-150001	06948-15001101	06948-150003	06948-15001103	500
06948-1600	06948-160011	06948-160001	06948-16001101	06948-160003	06948-16001103	600

Ruby Variations 1 & 2	Ruby Variation 3	Raspberry Variations 1 & 2	Raspberry Variation 3	Blue Variations 1 & 2	Blue Variation 3	A mm
06948-118027	06948-11801127	06948-118070	06948-11801170	06948-118073	06948-11801173	180
06948-120027	06948-12001127	06948-120070	06948-12001170	06948-120073	06948-12001173	200
06948-125027	06948-12501127	06948-125070	06948-12501170	06948-125073	06948-12501173	250
06948-130027	06948-13001127	06948-130070	06948-13001170	06948-130073	06948-13001173	300
06948-135027	06948-13501127	06948-135070	06948-13501170	06948-135073	06948-13501173	350
06948-140027	06948-14001127	06948-140070	06948-14001170	06948-140073	06948-14001173	400
06948-150027	06948-15001127	06948-150070	06948-15001170	06948-150073	06948-15001173	500
06948-160027	06948-16001127	06948-160070	06948-16001170	06948-160073	06948-16001173	600

SPOKED HAND WHEELS

Cast Iron | Without Machine Handle | Inch and Metric



These hand wheels are made from grey cast iron. The wheel rim is turned and polished.

INCH

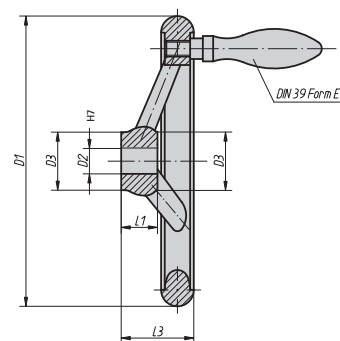
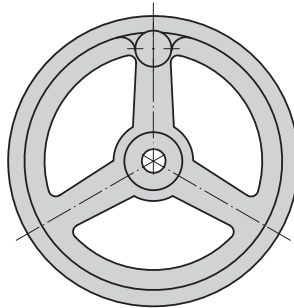
Part #	D2	Part #	D2	D1	D3	L1	L3	No. of Spokes
06271-0080XCN	.312	06271-0080XCO	.375	3.15	.94	.63	1.14	3
06271-0100XCO	.375	06271-0100XCP	.500	3.94	1.02	.67	1.30	3
06271-0125XCO	.375	06271-0125XCP	.500	4.92	1.10	.71	1.42	3
06271-0140XCP	.500	06271-0140XCQ	.625	5.51	1.18	.75	1.54	3
06271-0160XCP	.500	06271-0160XCQ	.625	6.30	1.26	.79	1.57	3
06271-0180XCP	.500	06271-0180XCQ	.625	7.09	1.38	.87	1.69	3
06271-0200XCQ	.625	06271-0200XCR	.750	7.87	1.50	.94	1.77	3
06271-0250XCR	.750	06271-0250XCV	.875	9.84	1.77	1.10	1.97	5
06271-0315XCV	.875	06271-0315XCS	1.00	12.40	2.09	1.30	2.20	5
06271-0400XCS	1.00	—	—	15.75	2.56	1.50	2.48	5
06271-0500XCS	1.00	—	—	19.69	3.07	1.77	2.83	5

METRIC

Part #	D2 mm	Part #	D2 mm	D1 mm	D3 mm	L1 mm	L3 mm	No. of Spokes
06271-0080X10	10	06271-0080X12	12	80	24	16	29	3
06271-0100X10	10	06271-0100X12	12	100	26	17	33	3
06271-0125X12	12	06271-0125X14	14	125	28	18	36	3
06271-0140X14	14	06271-0140X16	16	140	30	19	39	3
06271-0160X14	14	06271-0160X16	16	160	32	20	40	3
06271-0180X16	16	06271-0180X18	18	180	35	22	43	3
06271-0200X18	18	06271-0200X22	22	200	38	24	45	3
06271-0250X22	22	06271-0250X26	26	250	45	28	50	5
06271-0315X26	26	06271-0315X30	30	315	53	33	56	5
06271-0400X30	30	06271-0400X34	34	400	65	38	63	5
06271-0500X34	34	06271-0500X40	40	500	78	45	72	5

SPOKED HAND WHEELS

Cast Iron | Fixed Machine Handle | Inch and Metric



These hand wheels are made from grey cast iron. The wheel rim is turned and polished. The fixed handle is made from steel.

INCH

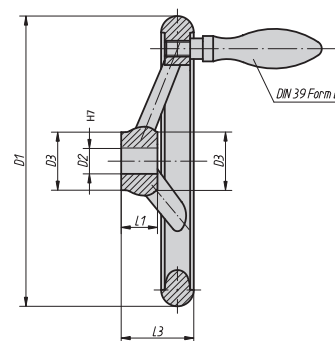
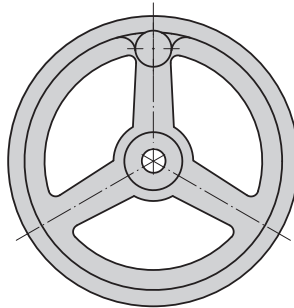
Part #	D2	Part #	D2	D1	D3	L1	L3	No. of Spokes	Handle Dia.	Handle Lgth
06271-2080XCN	.312	06271-2080XCO	.375	3.15	.94	.63	1.14	3	.63	1.97
06271-2100XCO	.375	06271-2100XCP	.500	3.94	1.02	.67	1.30	3	.63	1.97
06271-2125XCO	.375	06271-2125XCP	.500	4.92	1.10	.71	1.42	3	.79	2.52
06271-2140XCP	.500	06271-2140XCQ	.625	5.51	1.18	.75	1.54	3	.79	2.52
06271-2160XCP	.500	06271-2160XCQ	.625	6.30	1.26	.79	1.57	3	.98	3.15
06271-2180XCP	.500	06271-2180XCQ	.625	7.09	1.38	.87	1.69	3	.98	3.15
06271-2200XCP	.625	06271-2200XCR	.750	7.87	1.50	.94	1.77	3	.98	3.15
06271-2250XCR	.750	06271-2250XCV	.875	9.84	1.77	1.10	1.97	5	1.26	3.94
06271-2315XCV	.875	06271-2315XCS	1.00	12.40	2.09	1.30	2.20	5	1.26	3.94
06271-2400XCS	1.00	—	—	15.75	2.56	1.50	2.48	5	1.42	4.41
06271-2500XCS	1.00	—	—	19.69	3.07	1.77	2.83	5	1.42	4.41

METRIC

Part #	D2 mm	Part #	D2 mm	D1 mm	D3 mm	L1 mm	L3 mm	No. of Spokes	Handle Dia. mm	Handle Lgth mm
06271-2080X10	10	06271-2080X12	12	80	24	16	29	3	16	50
06271-2100X10	10	06271-2100X12	12	100	26	17	33	3	16	50
06271-2125X12	12	06271-2125X14	14	125	28	18	36	3	20	64
06271-2140X14	14	06271-2140X16	16	140	30	19	39	3	20	64
06271-2160X14	14	06271-2160X16	16	160	32	20	40	3	25	80
06271-2180X16	16	06271-2180X18	18	180	35	22	43	3	25	80
06271-2200X18	18	06271-2200X22	22	200	38	24	45	3	25	80
06271-2250X22	22	06271-2250X26	26	250	45	28	50	5	32	100
06271-2315X26	26	06271-2315X30	30	315	53	33	56	5	32	100
06271-2400X30	30	06271-2400X34	34	400	65	38	63	5	36	112
06271-2500X34	34	06271-2500X40	40	500	78	45	72	5	36	112

SPOKED HAND WHEELS

Cast Iron | Revolving Handle | Inch and Metric



These hand wheels are made from grey cast iron. The wheel rim is turned and polished. The revolving handle is made from steel.

INCH

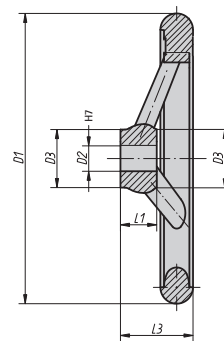
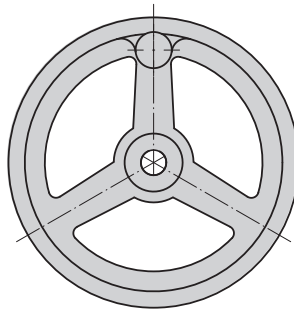
Part #	D2	Part #	D2	D1	D3	L1	L3	No. of Spokes	Handle Dia.	Handle Lgth
06271-4080XCN	.312	06271-4080XCO	.375	3.15	.94	.63	1.14	3	.63	2.15
06271-4100XCO	.375	06271-4100XCP	.500	3.94	1.02	.67	1.30	3	.63	2.15
06271-4125XCO	.375	06271-4125XCP	.500	4.92	1.10	.71	1.42	3	.79	2.64
06271-4140XCP	.500	06271-4140XCQ	.625	5.51	1.18	.75	1.54	3	.79	2.64
06271-4160XCP	.500	06271-4160XCQ	.625	6.30	1.26	.79	1.57	3	.98	3.27
06271-4180XCP	.500	06271-4180XCQ	.625	7.09	1.38	.87	1.69	3	.98	3.27
06271-4200XCQ	.625	06271-4200XCR	.750	7.87	1.50	.94	1.77	3	.98	3.27
06271-4250XCR	.750	06271-4250XCV	.875	9.84	1.77	1.10	1.97	5	1.26	4.15
06271-4315XCV	.875	06271-4315XCS	1.00	12.40	2.09	1.30	2.20	5	1.26	4.15
06271-4400XCS	1.00	—	—	15.75	2.56	1.50	2.48	5	1.42	4.61
06271-4500XCS	1.00	—	—	19.69	3.07	1.77	2.83	5	1.42	4.61

METRIC

Part #	D2 mm	Part #	D2 mm	D1 mm	D3 mm	L1 mm	L3 mm	No. of Spokes	Handle Dia. mm	Handle Lgth mm
06271-4080X10	10	06271-4080X12	12	80	24	16	29	3	16	54.5
06271-4100X10	10	06271-4100X12	12	100	26	17	33	3	16	54.5
06271-4125X12	12	06271-4125X14	14	125	28	18	36	3	20	67
06271-4140X14	14	06271-4140X16	16	140	30	19	39	3	20	67
06271-4160X14	14	06271-4160X16	16	160	32	20	40	3	25	83
06271-4180X16	16	06271-4180X18	18	180	35	22	43	3	25	83
06271-4200X18	18	06271-4200X22	22	200	38	24	45	3	25	83
06271-4250X22	22	06271-4250X26	26	250	45	28	50	5	32	105.5
06271-4315X26	26	06271-4315X30	30	315	53	33	56	5	32	105.5
06271-4400X30	30	06271-4400X34	34	400	65	38	63	5	36	117
06271-4500X34	34	06271-4500X40	40	500	78	45	72	5	36	117

SPOKED HAND WHEELS

Aluminum | Without Machine Handle | Inch and Metric



These hand wheels are made from aluminum. The wheel rim is turned and polished.

INCH

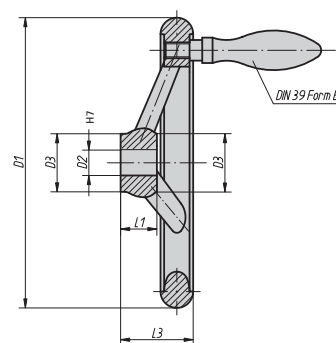
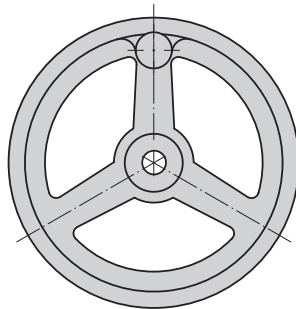
Part #	D2	Part #	D2	D1	D3	L1	L3	No. of Spokes
06273-0080XCN	.312	06273-0080XCO	.375	3.15	.94	.63	1.14	3
06273-0100XCO	.375	06273-0100XCP	.500	3.94	1.02	.67	1.30	3
06273-0125XCO	.375	06273-0125XCP	.500	4.92	1.10	.71	1.42	3
06273-0140XCP	.500	06273-0140XCQ	.625	5.51	1.18	.75	1.54	3
06273-0160XCP	.500	06273-0160XCQ	.625	6.30	1.26	.79	1.57	3
06273-0180XCP	.500	06273-0180XCQ	.625	7.09	1.38	.87	1.69	3
06273-0200XCQ	.625	06273-0200XCR	.750	7.87	1.50	.94	1.77	3
06273-0250XCR	.750	06273-0250XCV	.875	9.84	1.77	1.10	1.97	5
06273-0315XCV	.875	06273-0315XCS	1.00	12.40	2.09	1.30	2.20	5
06273-0400XCS	1.00	—	—	15.75	2.56	1.50	2.48	5
06273-0500XCS	1.00	—	—	19.69	3.07	1.77	2.83	5

METRIC

Part #	D2 mm	Part #	D2 mm	D1 mm	D3 mm	L1 mm	L3 mm	No. of Spokes
06273-0080X10	10	06273-0080X12	12	80	24	16	29	3
06273-0100X10	10	06273-0100X12	12	100	26	17	33	3
06273-0125X12	12	06273-0125X14	14	125	28	18	36	3
06273-0140X14	14	06273-0140X16	16	140	30	19	39	3
06273-0160X14	14	06273-0160X16	16	160	32	20	40	3
06273-0180X16	16	06273-0180X18	18	180	35	22	43	3
06273-0200X18	18	06273-0200X22	22	200	38	24	45	3
06273-0250X22	22	06273-0250X26	26	250	45	28	50	5
06273-0315X26	26	06273-0315X30	30	315	53	33	56	5
06273-0400X30	30	06273-0400X34	34	400	65	38	63	5
06273-0500X34	34	06273-0500X40	40	500	78	45	72	5

SPOKED HAND WHEELS

Aluminum | Fixed Machine Handle | Inch and Metric



These hand wheels are made from aluminum. The wheel rim is turned and polished. The fixed handle is made from aluminum. The axle part of the handle is steel with black oxide finish.

INCH

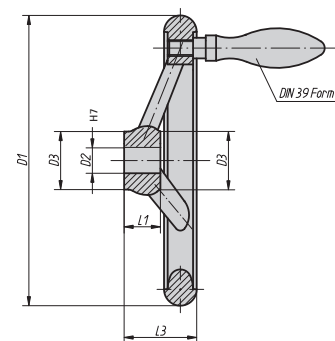
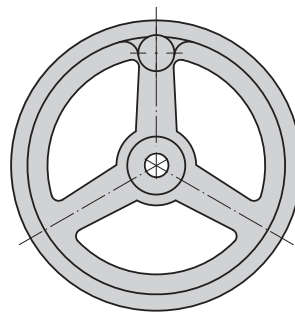
Part #	D2	Part #	D2	D1	D3	L1	L3	No. of Spokes	Handle Dia.	Handle Lgth
06273-2080XCN	.312	06273-2080XCO	.375	3.15	.94	.63	1.14	3	.63	1.97
06273-2100XCO	.375	06273-2100XCP	.500	3.94	1.02	.67	1.30	3	.63	1.97
06273-2125XCO	.375	06273-2125XCP	.500	4.92	1.10	.71	1.42	3	.79	2.52
06273-2140XCP	.500	06273-2140XCQ	.625	5.51	1.18	.75	1.54	3	.79	2.52
06273-2160XCP	.500	06273-2160XCQ	.625	6.30	1.26	.79	1.57	3	.98	3.15
06273-2180XCP	.500	06273-2180XCQ	.625	7.09	1.38	.87	1.69	3	.98	3.15
06273-2200XCQ	.625	06273-2200XCR	.750	7.87	1.50	.94	1.77	3	.98	3.15
06273-2250XCR	.750	06273-2250XCV	.875	9.84	1.77	1.10	1.97	5	1.26	3.94
06273-2315XCV	.875	06273-2315XCS	1.00	12.40	2.09	1.30	2.20	5	1.26	3.94
06273-2400XCS	1.00	—	—	15.75	2.56	1.50	2.48	5	1.42	4.41
06273-2500XCS	1.00	—	—	19.69	3.07	1.77	2.83	5	1.42	4.41

METRIC

Part #	D2 mm	Part #	D2 mm	D1 mm	D3 mm	L1 mm	L3 mm	No. of Spokes	Handle Dia. mm	Handle Lgth mm
06273-2080X10	10	06273-2080X12	12	80	24	16	29	3	16	50
06273-2100X10	10	06273-2100X12	12	100	26	17	33	3	16	50
06273-2125X12	12	06273-2125X14	14	125	28	18	36	3	20	64
06273-2140X14	14	06273-2140X16	16	140	30	19	39	3	20	64
06273-2160X14	14	06273-2160X16	16	160	32	20	40	3	25	80
06273-2180X16	16	06273-2180X18	18	180	35	22	43	3	25	80
06273-2200X18	18	06273-2200X22	22	200	38	24	45	3	25	80
06273-2250X22	22	06273-2250X26	26	250	45	28	50	5	32	100
06273-2315X26	26	06273-2315X30	30	315	53	33	56	5	32	100
06273-2400X30	30	06273-2400X34	34	400	65	38	63	5	36	112
06273-2500X34	34	06273-2500X40	40	500	78	45	72	5	36	112

SPOKED HAND WHEELS

Aluminum | Revolving Machine Handle | Inch and Metric



These hand wheels are made from aluminum. The wheel rim is turned and polished. The revolving handle is made from aluminum. The axle part of the handle is steel with black oxide finish.

INCH

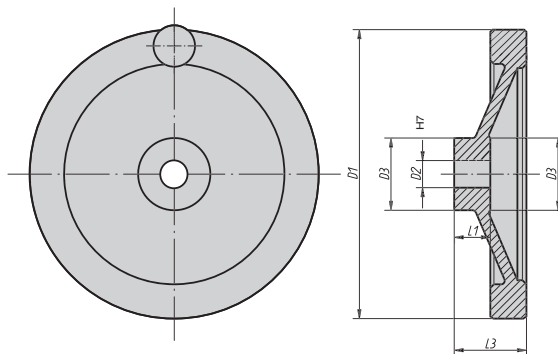
Part #	D2	Part #	D2	D1	D3	L1	L3	No. of Spokes	Handle Dia.	Handle Lgth
06273-4080XCN	.312	06273-4080XCO	.375	3.15	0.94	0.63	1.14	3	0.63	2.15
06273-4100XCO	.375	06273-4100XCP	.500	3.94	1.02	0.67	1.30	3	0.63	2.15
06273-4125XCO	.375	06273-4125XCP	.500	4.92	1.10	0.71	1.42	3	0.79	2.64
06273-4140XCP	.500	06273-4140XCQ	.625	5.51	1.18	0.75	1.54	3	0.79	2.64
06273-4160XCP	.500	06273-4160XCQ	.625	6.30	1.26	0.79	1.57	3	0.98	3.27
06273-4180XCP	.500	06273-4180XCQ	.625	7.09	1.38	0.87	1.69	3	0.98	3.27
06273-4200XCQ	.625	06273-4200XCR	.750	7.87	1.50	0.94	1.77	3	0.98	3.27
06273-4250XCR	.750	06273-4250XCV	.875	9.84	1.77	1.10	1.97	5	1.26	4.15
06273-4315XCV	.875	06273-4315XCS	1.00	12.40	2.09	1.30	2.20	5	1.26	4.15
06273-4400XCS	1.00	—	—	15.75	2.56	1.50	2.48	5	1.42	4.61
06273-4500XCS	1.00	—	—	19.69	3.07	1.77	2.83	5	1.42	4.61

METRIC

Part #	D2 mm	Part #	D2 mm	D1 mm	D3 mm	L1 mm	L3 mm	No. of Spokes	Handle Dia. mm	Handle Lgth mm
06273-4080X10	10	06273-4080X12	12	80	24	16	29	3	16	54.5
06273-4100X10	10	06273-4100X12	12	100	26	17	33	3	16	54.5
06273-4125X12	12	06273-4125X14	14	125	28	18	36	3	20	67
06273-4140X14	14	06273-4140X16	16	140	30	19	39	3	20	67
06273-4160X14	14	06273-4160X16	16	160	32	20	40	3	25	83
06273-4180X16	16	06273-4180X18	18	180	35	22	43	3	25	83
06273-4200X18	18	06273-4200X22	22	200	38	24	45	3	25	83
06273-4250X22	22	06273-4250X26	26	250	45	28	50	5	32	105.5
06273-4315X26	26	06273-4315X30	30	315	53	33	56	5	32	105.5
06273-4400X30	30	06273-4400X34	34	400	65	38	63	5	36	117
06273-4500X34	34	06273-4500X40	40	500	78	45	72	5	36	117

DISC HAND WHEELS

Aluminum | Without Machine Handle | Inch and Metric



These hand wheels are made from aluminum. The rim is turned and polished.

INCH

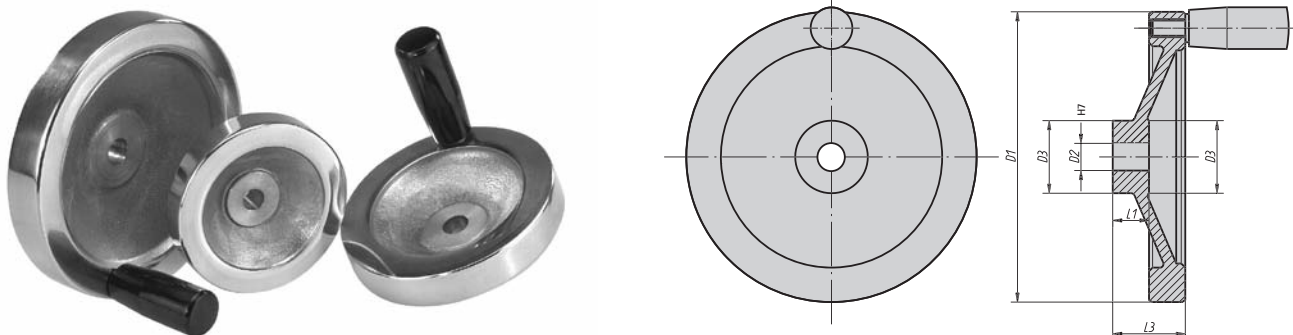
Part #	D2	Part #	D2	D1	D3	L1	L3
06275-0080XCN	.312	06275-0080XCO	.375	3.15	.98	.63	1.22
06275-0100XCO	.375	06275-0100XCP	.500	3.94	1.22	.67	1.34
06275-0125XCO	.375	06275-0125XCP	.500	4.92	1.18	.71	1.46
06275-0140XCP	.500	06275-0140XCQ	.625	5.51	1.34	.75	1.34
06275-0160XCP	.500	06275-0160XCQ	.625	6.30	1.57	.79	1.57
06275-0200XCQ	.625	06275-0200XCR	.750	7.87	1.97	.94	1.81
06275-0250XCR	.750	06275-0250XCV	.875	9.84	1.97	1.10	1.93

METRIC

Part #	D2 mm	Part #	D2 mm	D1 mm	D3 mm	L1 mm	L3 mm
06275-0080X10	10	06275-0080X12	12	80	25	16	31
06275-0100X10	10	06275-0100X12	12	100	31	17	34
06275-0125X12	12	06275-0125X14	14	125	30	18	37
06275-0140X14	14	06275-0140X15	15	140	34	19	34
06275-0160X15	15	06275-0160X16	16	160	40	20	40
06275-0200X18	18	06275-0200X20	20	200	50	24	46
06275-0250X22	22	06275-0250X24	24	250	50	28	49

DISC HAND WHEELS

Aluminum | Fixed Machine Handle | Inch and Metric



These hand wheels are made from aluminum. The rim is turned and polished. The fixed handle is made from duroplast plastic. The axle part of the handle is steel with black oxide finish.

INCH

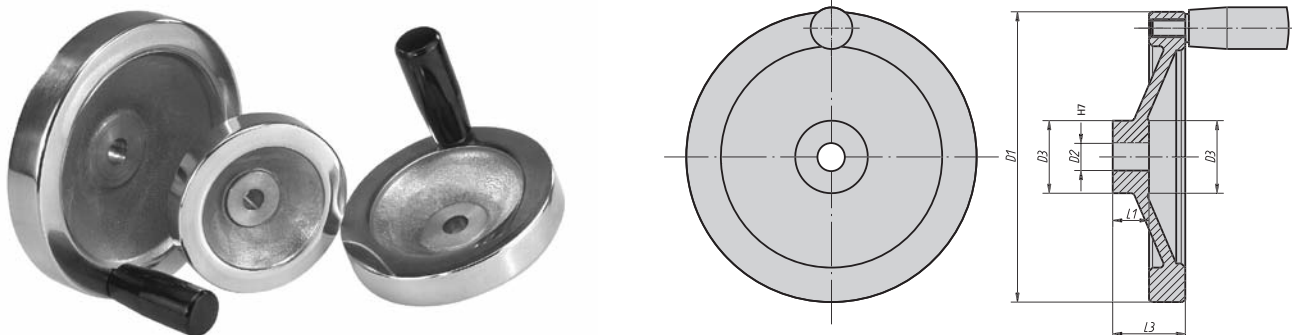
Part #	D2	Part #	D2	D1	D3	L1	L3	Handle Dia.	Handle Lgth
06275-2080XCN	.312	06275-2080XCO	.375	3.15	.98	.63	1.22	.71	1.57
06275-2100XCO	.375	06275-2100XCP	.500	3.94	1.22	.67	1.34	.71	1.57
06275-2125XCO	.375	06275-2125XCP	.500	4.92	1.18	.71	1.46	.83	1.97
06275-2140XCP	.500	06275-2140XCQ	.625	5.51	1.34	.75	1.34	.83	1.97
06275-2160XCP	.500	06275-2160XCQ	.625	6.30	1.57	.79	1.57	1.02	3.15
06275-2200XCQ	.625	06275-2200XCR	.750	7.87	1.97	.94	1.81	1.02	3.15
06275-2250XCR	.750	06275-2250XCV	.875	9.84	1.97	1.10	1.93	1.10	3.54

METRIC

Part #	D2 mm	Part #	D2 mm	D1 mm	D3 mm	L1 mm	L3 mm	Handle Dia. mm	Handle Lgth mm
06275-2080X10	10	06275-2080X12	12	80	25	16	31	18	40
06275-2100X10	10	06275-2100X12	12	100	31	17	34	18	40
06275-2125X12	12	06275-2125X14	14	125	30	18	37	21	50
06275-2140X14	14	06275-2140X15	15	140	34	19	34	21	50
06275-2160X15	15	06275-2160X16	16	160	40	20	40	26	80
06275-2200X18	18	06275-2200X20	20	200	50	24	46	26	80
06275-2250X22	22	06275-2250X24	24	250	50	28	49	28	90

DISC HAND WHEELS

Aluminum | Revolving Machine Handle | Inch and Metric



These hand wheels are made from aluminum. The rim is turned and polished. The revolving handle is made from duroplast plastic. The axle part of the handle is galvanized steel.

INCH

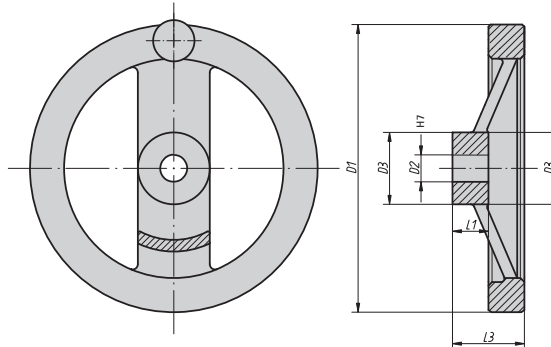
Part #	D2	Part #	D2	D1	D3	L1	L3	Handle Dia.	Handle Lgth
06275-4080XCN	.312	06275-4080XCO	.375	3.15	.98	.63	1.22	.71	1.57
06275-4100XCO	.375	06275-4100XCP	.500	3.94	1.22	.67	1.34	.71	1.57
06275-4125XCO	.375	06275-4125XCP	.500	4.92	1.18	.71	1.46	.87	2.20
06275-4140XCP	.500	06275-4140XCQ	.625	5.51	1.34	.75	1.34	.87	2.20
06275-4160XCP	.500	06275-4160XCQ	.625	6.30	1.57	.79	1.57	1.02	3.15
06275-4200XCQ	.625	06275-4200XCR	.750	7.87	1.97	.94	1.81	1.02	3.15
06275-4250XCR	.750	06275-4250XCV	.875	9.84	1.97	1.10	1.93	1.22	4.02

METRIC

Part #	D2 mm	Part #	D2 mm	D1 mm	D3 mm	L1 mm	L3 mm	Handle Dia. mm	Handle Lgth mm
06275-4080X10	10	06275-4080X12	12	80	25	16	31	18	40
06275-4100X10	10	06275-4100X12	12	100	31	17	34	18	40
06275-4125X12	12	06275-4125X14	14	125	30	18	37	22	56
06275-4140X14	14	06275-4140X15	15	140	34	19	34	22	56
06275-4160X15	15	06275-4160X16	16	160	40	20	40	26	80
06275-4200X18	18	06275-4200X20	20	200	50	24	46	26	80
06275-4250X22	22	06275-4250X24	24	250	50	28	49	31	102

2-SPOKE HAND WHEELS

Aluminum | Without Machine Handle | Inch and Metric



These hand wheels are made from aluminum. The rim is turned and polished.

INCH

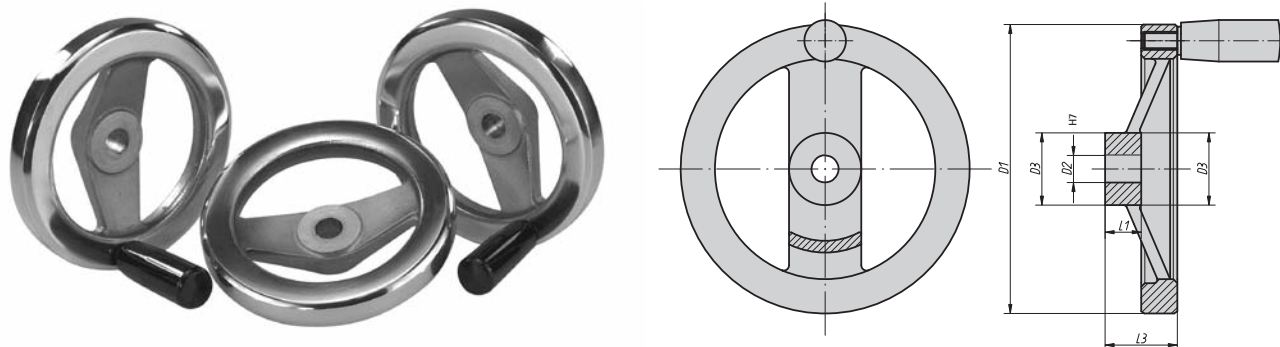
Part #	D2	Part #	D2	D1	D3	L1	L3
06277-0080XCN	.312	06277-0080XCO	.375	3.15	.94	.63	1.10
06277-0100XCO	.375	06277-0100XCP	.500	3.94	1.02	.67	1.30
06277-0125XCO	.375	06277-0125XCP	.500	4.92	1.22	.71	1.32
06277-0160XCP	.500	06277-0160XCQ	.625	6.30	1.42	.79	1.54
06277-0200XCQ	.625	06277-0200XCR	.750	7.87	1.65	0.94	1.77
06277-0250XCR	.750	06277-0250XCV	.875	9.84	1.89	1.10	2.01

METRIC

Part #	D2 mm	Part #	D2 mm	D1 mm	D3 mm	L1 mm	L3 mm
06277-0080X10	10	06277-0080X12	12	80	24	16	28
06277-0100X10	10	06277-0100X12	12	100	26	17	33
06277-0125X12	12	06277-0125X14	14	125	31	18	33.5
06277-0160X14	14	06277-0160X16	16	160	36	20	39
06277-0200X18	18	06277-0200X20	20	200	42	24	45
06277-0250X22	22	06277-0250X26	26	250	48	28	51

2-SPOKE HAND WHEELS

Aluminum | Fixed Machine Handle | Inch and Metric



These hand wheels are made from aluminum. The rim is turned and polished. The fixed handle is made from duroplast plastic. The axle part of the handle is galvanized steel.

INCH

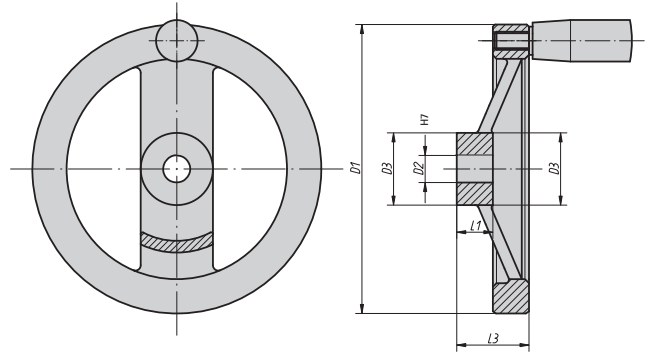
Part #	D2	Part #	D2	D1	D3	L1	L3	Handle Dia.	Handle Lgth
06277-2080XCN	.312	06277-2080XCO	.375	3.15	.94	.63	1.10	.71	1.57
06277-2100XCO	.375	06277-2100XCP	.500	3.94	1.02	.67	1.30	.71	1.57
06277-2125XCO	.375	06277-2125XCP	.500	4.92	1.22	.71	1.32	.83	1.97
06277-2160XCP	.500	06277-2160XCQ	.625	6.30	1.42	.79	1.54	1.02	3.15
06277-2200XCQ	.625	06277-2200XCR	.750	7.87	1.65	.94	1.77	1.02	3.15
06277-2250XCR	.750	06277-2250XCV	.875	9.84	1.89	1.10	2.01	1.10	3.54

METRIC

Part #	D2 mm	Part #	D2 mm	D1 mm	D3 mm	L1 mm	L3 mm	Handle Dia. mm	Handle Lgth mm
06277-2080X10	10	06277-2080X12	12	80	24	16	28	18	40
06277-2100X10	10	06277-2100X12	12	100	26	17	33	18	40
06277-2125X12	12	06277-2125X14	14	125	31	18	33.5	21	50
06277-2160X14	14	06277-2160X16	16	160	36	20	39	26	80
06277-2200X18	18	06277-2200X20	20	200	42	24	45	26	80
06277-2250X22	22	06277-2250X26	26	250	48	28	51	28	90

2-SPOKE HAND WHEELS

Aluminum | Revolving Machine Handle | Inch and Metric



These hand wheels are made from aluminum. The rim is turned and polished. The revolving handle is made from duroplast plastic. The axle part of the handle is galvanized steel.

INCH

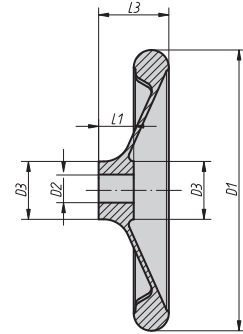
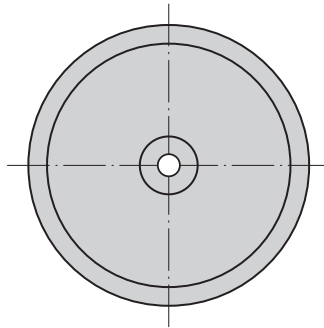
Part #	D2	Part #	D2	D1	D3	L1	L3	Handle Dia.	Handle Lgth
06277-4080XCN	.312	06277-4080XCO	.375	3.15	.94	.63	1.10	.71	1.57
06277-4100XCO	.375	06277-4100XCP	.500	3.94	1.02	.67	1.30	.71	1.57
06277-4125XCO	.375	06277-4125XCP	.500	4.92	1.22	.71	1.32	.87	2.20
06277-4160XCP	.500	06277-4160XCQ	.625	6.30	1.42	.79	1.54	1.02	3.15
06277-4200XCQ	.625	06277-4200XCR	.750	7.87	1.65	.94	1.77	1.02	3.15
06277-4250XCR	.750	06277-4250XCV	.875	9.84	1.89	1.10	2.01	1.22	4.02

METRIC

Part #	D2 mm	Part #	D2 mm	D1 mm	D3 mm	L1 mm	L3 mm	Handle Dia. mm	Handle Lgth mm
06277-4080X10	10	06277-4080X12	12	80	24	16	28	18	40
06277-4100X10	10	06277-4100X12	12	100	26	17	33	18	40
06277-4125X12	12	06277-4125X14	14	125	31	18	33.5	22	56
06277-4160X14	14	06277-4160X16	16	160	36	20	39	26	80
06277-4200X18	18	06277-4200X20	20	200	42	24	45	26	80
06277-4250X22	22	06277-4250X26	26	250	48	28	51	31	102

DISC HAND WHEELS

Aluminum | Without Machine Handle | Inch and Metric



These Hand Wheels are made from aluminum. The rim is turned and polished. The center bore is concentric and parallel with the outside of the handle.

INCH

Part #	D2	Part #	D2	D1	D3	L1	L3
06279-0080XCN	.312	06279-0080XCO	.375	3.15	.94	.63	1.18
06279-0100XCO	.375	06279-0100XCP	.500	3.94	.98	.67	1.22
06279-0120XCO	.375	06279-0120XCP	.500	4.72	1.02	.71	1.26
06279-0160XCP	.500	06279-0160XCQ	.625	6.30	1.30	.79	1.57
06279-0200XCQ	.625	06279-0200XCR	.750	7.87	1.54	.94	1.65
06279-0250XCR	.750	06279-0250XCV	.875	9.84	1.89	1.10	2.36
06279-0280XCR	.750	06279-0280XCV	.875	11.02	1.93	1.18	2.52
06279-0360XCV	.875	06279-0360XCS	1.00	14.17	2.48	1.38	2.83

METRIC

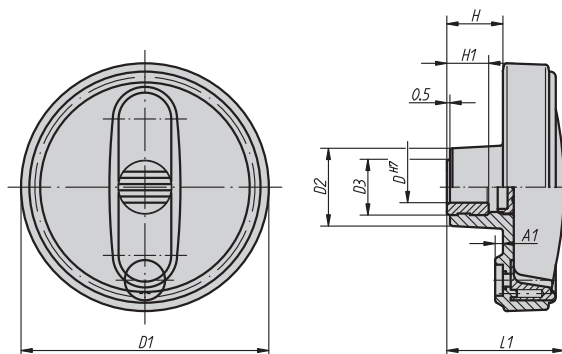
Part #	D2 mm	Part #	D2 mm	D1 mm	D3 mm	L1 mm	L3 mm
06279-0080X10	10	06279-0080X12	12	80	24	16	30
06279-0100X10	10	06279-0100X12	12	100	25	17	31
06279-0120X12	12	06279-0120X14	14	120	26	18	32
06279-0160X14	14	06279-0160X16	16	160	33	20	40
06279-0200X18	18	06279-0200X22	22	200	39	24	42
06279-0250X22	22	06279-0250X26	26	250	48	28	60
06279-0280X24	24	06279-0280X28	28	280	49	30	64
06279-0360X28	28	06279-0360X32	32	360	63	35	72

HAND WHEELS

Plastic | Without Handle | Inch and Metric



NOVO-GRIP by



Solid design with no spokes for safety. Firm sure ergonomic gripping with an attractive appearance. Made from dark grey thermoplastic. Steel parts have black oxide finish. Hub cover supplied to hide hub mounting.

INCH

Part # Without Handle	D	D1	D2	D3	A1	H	H1	L1
06262-1080CO	.375	3.15	.98	.75	.10	.69	.51	1.48
06262-2100CO	.375	3.94	1.10	.75	.12	.79	.51	1.73
06262-2100CP	.500	3.94	1.10	.75	.12	.79	.51	1.73
06262-3125CP	.500	4.92	1.38	.98	.16	.93	.73	2.09
06262-4160CP	.500	6.30	1.77	.98	.22	1.10	.73	2.54
06262-4160CQ	.625	6.30	1.77	.98	.22	1.10	.73	2.54

METRIC

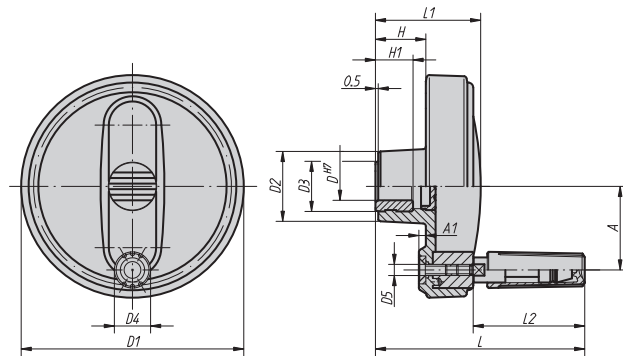
Part # Without Handle	D mm	D1 mm	D2 mm	D3 mm	A1 mm	H mm	H1 mm	L1 mm
06262-108008	8	80	25	19	2.5	17.5	13	37.5
06262-210010	10	100	28	19	3	20	13	44
06262-210012	12	100	28	19	3	20	13	44
06262-312512	12	125	35	25	4	23.5	18.5	53
06262-416014	14	160	45	25	5.6	28	18.5	64.5
06262-416016	16	160	45	25	5.6	28	18.5	64.5

HAND WHEELS

Plastic | With Revolving Handle | Inch and Metric



Novo-GRIP by



Solid design with no spokes for safety. Firm sure ergonomic gripping with an attractive appearance. Made from dark grey thermoplastic. Steel parts have black oxide finish. Hub cover supplied to hide hub mounting. The revolving handle comes unassembled.

INCH

Part #	D	D1	D2	D3	D4	D5	A	A1	H	H1	L	L1	L2
06263-1080CO	.375	3.15	.98	.75	.51	M4	1.18	.10	.69	.51	2.95	1.48	1.57
06263-2100CO	.375	3.94	1.10	.75	.63	M5	1.50	.12	.79	.51	3.54	1.73	1.95
06263-2100CP	.500	3.94	1.10	.75	.63	M5	1.50	.12	.79	.51	3.54	1.73	1.95
06263-3125CP	.500	4.92	1.38	.98	.79	M6	1.87	.16	.93	.73	4.29	2.09	2.36
06263-4160CP	.500	6.30	1.77	.98	.98	M8	2.44	.22	1.10	.73	5.67	2.54	3.29
06263-4160CQ	.625	6.30	1.77	.98	.98	M8	2.44	.22	1.10	.73	5.67	2.54	3.29

METRIC

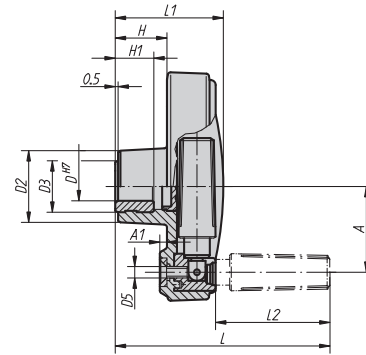
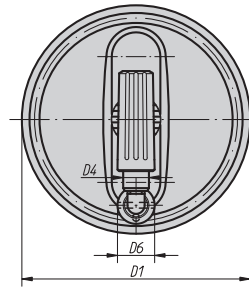
Part #	D mm	D1 mm	D2 mm	D3 mm	D4 mm	D5 mm	A mm	A1 mm	H mm	H1 mm	L mm	L1 mm	L2 mm
06263-108008	8	80	25	19	13	M4	30	2.5	17.5	13	75	37.5	40
06263-210010	10	100	28	19	16	M5	38	3	20	13	90	44	49.5
06263-210012	12	100	28	19	16	M5	38	3	20	13	90	44	49.5
06263-312512	12	125	35	25	20	M6	47.5	4	23.5	18.5	109	53	60
06263-416014	14	160	45	25	25	M8	62	5.6	28	18.5	144	64.5	83.5
06263-416016	16	160	45	25	25	M8	62	5.6	28	18.5	144	64.5	83.5

HAND WHEELS

Plastic | With Fold-Away Handle | Inch and Metric



Novo-GRIP by



Solid design with no spokes for safety. Firm sure ergonomic gripping with an attractive appearance. Made from dark grey thermoplastic. Steel parts have black oxide finish. Hub cover supplied to hide hub mounting. Handle folds away for safety.

INCH

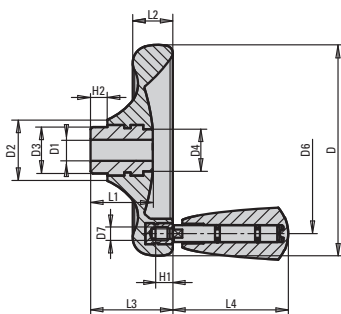
Part #	D	D1	D2	D3	D4	D5	D6	A	A1	H	H1	L	L1	L2
06264-1080CO	.375	3.15	.98	.75	.51	M4	.51	1.18	.10	.69	.51	2.95	1.48	1.57
06264-2100CO	.375	3.94	1.10	.75	.63	M5	.63	1.50	.12	.79	.51	3.54	1.73	1.93
06264-2100CP	.500	3.94	1.10	.75	.63	M5	.63	1.50	.12	.79	.51	3.54	1.73	1.93
06264-3125CP	.500	4.92	1.38	.98	.79	M6	.79	1.87	.16	.93	.73	4.29	2.09	2.34
06264-4160CP	.500	6.30	1.77	.98	.98	M8	1.02	2.44	.22	1.10	.73	5.67	2.54	3.29
06264-4160CQ	.625	6.30	1.77	.98	.98	M8	1.02	2.44	.22	1.10	.73	5.67	2.54	3.29

METRIC

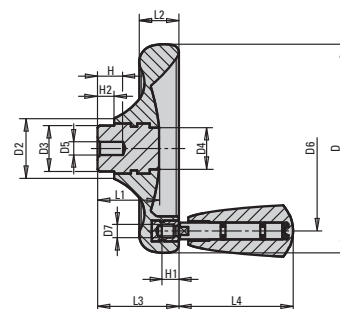
Part #	D mm	D1 mm	D2 mm	D3 mm	D4 mm	D5 mm	D6 mm	A mm	A1 mm	H mm	H1 mm	L mm	L1 mm	L2 mm
06264-108008	8	80	25	19	13	M4	13	30	2.5	17.5	13	75	37.5	40
06264-210010	10	100	28	19	16	M5	16	38	3	20	13	90	44	49
06264-210012	12	100	28	19	16	M5	16	38	3	20	13	90	44	49
06264-312512	12	125	35	25	20	M6	20	47.5	4	23.5	18.5	109	53	59.5
06264-416014	14	160	45	25	25	M8	26	62	5.6	28	18.5	144	64.5	83.5
06264-416016	16	160	45	25	25	M8	26	62	5.6	28	18.5	144	64.5	83.5

DISC HAND WHEELS

Duroplastic | With Revolving Machine Handle | Steel & Stainless Hubs | Inch & Metric



Through Hole Style



Pilot Hole Style

Made from black duroplastic, these solid disc hand wheels offer strength, durability and attractive appearance. The surface finish is deburred and has a high polish finish. They are furnished with a black duroplastic revolving machine handle. The hand wheels with steel hubs have a nickel plated finish on both the hand wheel and the machine handle. The stainless hub styles have a natural finish on both the hand wheel and machine handle. The pilot hole style provides a centered hole allowing the user to create different mounting configurations.

Through Hole Style

INCH

Part # Steel Hub	Part # Stainless Hub	D	D1	D2	D3	D4	D6	D7	H1	H2	L1	L2	L3	L4
06287-1100XCM	06287-3100XCM	3.94	.250	1.14	.87	.79	3.11	M6	0.35	.31	1.16	.75	1.54	2.15
06287-1125XCO	06287-3125XCO	4.92	.375	1.34	1.02	.83	3.98	M6	0.35	.31	1.34	.94	1.81	2.15
06287-1140XCP	06287-3140XCP	5.51	.500	1.54	1.18	.98	4.33	M8	0.47	.31	1.52	1.06	2.05	3.24
06287-1160XCQ	06287-3160XCQ	6.30	.625	1.69	1.30	1.18	5.04	M8	0.47	.31	1.63	1.19	2.24	3.24
06287-1160XCR	06287-3160XCR	6.30	.750	1.69	1.30	1.18	5.04	M8	0.47	.31	1.63	1.19	2.24	3.24

METRIC

Part # Steel Hub	Part # Stainless Hub	D mm	D1 mm	D2 mm	D3 mm	D4 mm	D6 mm	D7	H1 mm	H2 mm	L1 mm	L2 mm	L3 mm	L4 mm
06287-1100X10	06287-3100X10	100	10	29	22	20	79	M6	9	8	29.5	19	39	54.7
06287-1125X12	06287-3125X12	125	12	34	26	21	101	M6	9	8	34	24	46	54.7
06287-1140X14	06287-3140X14	140	14	39	30	25	110	M8	12	8	38.5	27	52	82.2
06287-1160X16	06287-3160X16	160	16	43	33	30	128	M8	12	8	41.3	30.1	57	82.2
06287-1160X18	06287-3160X18	160	18	43	33	30	128	M8	12	8	41.3	30.1	57	82.2

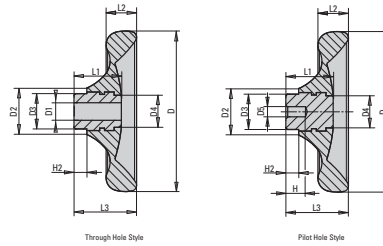
Pilot Hole Style

METRIC

Part # Steel Hub	Part # Stainless Hub	D mm	D2 mm	D3 mm	D4 mm	D5 mm	D6 mm	D7	H mm	H1 mm	H2 mm	L1 mm	L2 mm	L3 mm	L4 mm
06287-0100X06	06287-2100X06	100	29	22	20	6	79	M6	12	9	8	29.5	19	39	54.7
06287-0125X08	06287-2125X08	125	34	26	21	8	101	M6	15	9	8	34	24	46	54.7
06287-0140X08	06287-2140X08	140	39	30	25	8	110	M8	16	12	8	38.5	27	52	82.2
06287-0160X10	06287-2160X10	160	43	33	30	10	128	M8	20	12	8	41.3	30.1	57	82.2

DISC HAND WHEELS

Duroplastic | Without Handle | Steel & Stainless Hubs | Inch & Metric



Made from black duroplastic, these solid disc hand wheels offer strength, durability and attractive appearance. The surface finish is deburred and has a high polish finish. The hand wheels with steel hubs have a nickel plated finish. The stainless hub styles have a natural finish. The pilot hole style provides a centered hole allowing the user to create different mountings configurations.

Through Hole Style

INCH										
Part # Steel Hub	Part # Stainless Hub	D	D1	D2	D3	D4	H2	L1	L2	L3
06288-1100XCM	06288-3100XCM	3.94	.250	1.14	.87	.79	.31	1.16	.75	1.54
06288-1125XCO	06288-3125XCO	4.92	.375	1.34	1.02	.83	.31	1.34	.94	1.81
06288-1140XCP	06288-3140XCP	5.51	.500	1.54	1.18	.98	.31	1.52	1.06	2.05
06288-1160XCQ	06288-3160XCQ	6.30	.625	1.69	1.30	1.18	.31	1.63	1.19	2.24
06288-1160XCR	06288-3160XCR	6.30	.750	1.69	1.30	1.18	.31	1.63	1.19	2.24

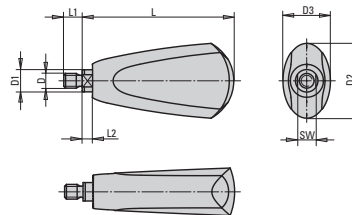
METRIC										
Part # Steel Hub	Part # Stainless Hub	D mm	D1 mm	D2 mm	D3 mm	D4 mm	H2 mm	L1 mm	L2 mm	L3 mm
06288-1100X10	06288-3100X10	100	10	29	22	20	8	29.5	19	39
06288-1125X12	06288-3125X12	125	12	34	26	21	8	34	24	46
06288-1140X14	06288-3140X14	140	14	39	30	25	8	38.5	27	52
06288-1160X16	06288-3160X16	160	16	43	33	30	8	41.3	30.1	57

Pilot Hole Style

METRIC											
Part # Steel Hub	Part # Stainless Hub	D mm	D2 mm	D3 mm	D4 mm	D5 mm	H mm	H2 mm	L1 mm	L2 mm	L3 mm
06288-0100X06	06288-2100X06	100	29	22	20	6	12	8	29.5	19	39
06288-0125X08	06288-2125X08	125	34	26	21	8	15	8	34	24	46
06288-0140X08	06288-2140X08	140	39	30	25	8	16	8	38.5	27	52
06288-0160X10	06288-2160X10	160	43	33	30	10	10	8	41.3	30.1	57

MACHINE HANDLES

Duroplastic | Revolving | Steel & Stainless Stud | Inch & Metric



Made from black duroplastic, these revolving machine handles offer strength, durability and attractive appearance. The surface finish is deburred and has a high polish finish. The steel style has a nickel plated alloy steel stud. The stainless style has a stainless stud with a natural finish.

INCH										
Part # Steel	Part # Stainless	D	D1	D2	D3	L	L1	L2	SW	
06316-1A2009	06316-11A2009	1/4-20	.31	.98	.71	2.15	.35	.18	.28	
06316-2A3010	06316-12A3010	5/16-18	.47	1.61	1.02	3.24	.39	.22	.39	

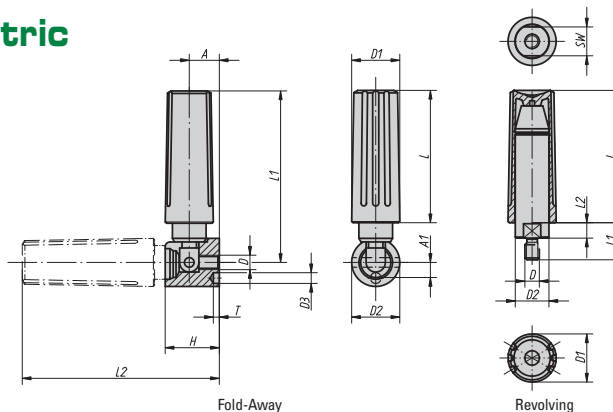
METRIC										
Part # Steel	Part # Stainless	D mm	D1 mm	D2 mm	D3 mm	L mm	L1 mm	L2 mm	SW mm	
06316-106009	06316-1106009	M6	8	25	18	54.7	9	4.5	7	
06316-208010	06316-1208010	M8	12	41	26	82.2	10	5.5	10	

REVOLVING AND FOLD-AWAY HANDLES

Plastic | Steel Inserts | Inch and Metric



Novo-GRIP by Kipp



Firm sure ergonomic gripping with an attractive appearance. Made from dark grey thermoplastic. Steel parts have black oxide finish.

INCH

Part # Revolving	D	D1	D2	L	L1	L2	SW
06325-1AE	8-32	.51	.35	1.38	.43	.20	.31
06325-2A1	10-32	.63	.43	1.73	.51	.22	.39
06325-3A2	1/4-20	.79	.55	2.17	.55	.20	.47
06325-4A3	5/16-18	.98	.71	2.78	.98	.51	.59

Part # Fold-Away	D	D1	D2	D3	A	A1	H	L	L1	L2	T
06326-1AE	8-32	.51	.51	.10	.31	.17	.57	1.38	1.85	2.15	.18
06326-2A1	10-32	.63	.63	.14	.39	.21	.71	1.73	2.28	2.64	.18
06326-3A2	1/4-20	.79	.79	.18	.49	.26	.89	2.17	2.81	3.23	.24
06326-4A3	5/16-18	.98	1.02	.22	.63	.35	1.14	2.78	3.88	4.43	.26

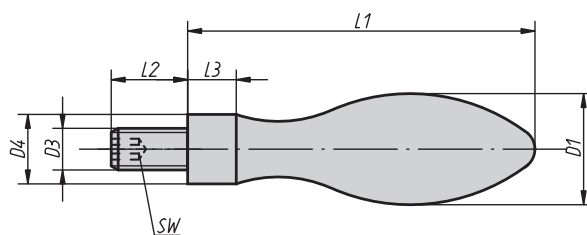
METRIC

Part # Revolving	D mm	D1 mm	D2 mm	L mm	L1 mm	L2 mm	SW mm
06325-104	M4	13	9	35	11	5	8
06325-205	M5	16	11	44	13	5.5	10
06325-306	M6	20	14	55	14	5	12
06325-408	M8	25	18	70.5	25	13	15

Part # Fold-Away	D mm	D1 mm	D2 mm	D3 mm	A mm	A1 mm	H mm	L mm	L1 mm	L2 mm	T mm
06326-104	M4	13	13	2.5	8	4.3	14.5	35	47	54.5	4.5
06326-205	M5	16	16	3.5	10	5.3	18	44	58	67	4.5
06326-306	M6	20	20	4.5	12.5	6.5	22.5	55	71.5	82	6
06326-408	M8	25	26	5.5	16	9	29	70.5	98.5	112.5	6.5

MACHINE HANDLES

Steel and Aluminum | Fixed | Metric

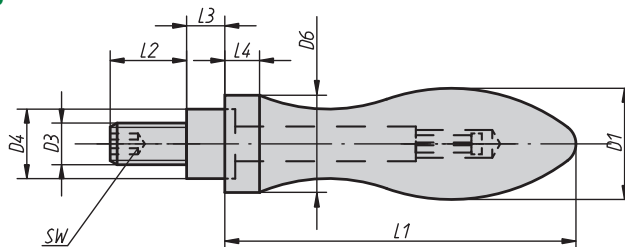


Machined in either steel or aluminum. Polished finish.

METRIC

Part # Steel	Part # Aluminum	D1 mm	D3 mm	D4 mm	L1 mm	L2 mm	L3 mm	SW mm
06291-0616050	06292-0616050	16	M6	10	50	11	7	3
06291-0820064	06292-0820064	20	M8	13	64	13	8	4
06291-1025080	06292-1025080	25	M10	16	80	14	10	5
06291-1232100	06292-1232100	32	M12	20	100	21	13	6
06291-1636112	06292-1636112	36	M16	22	112	26	14	8

Steel and Aluminum | Revolving | Metric

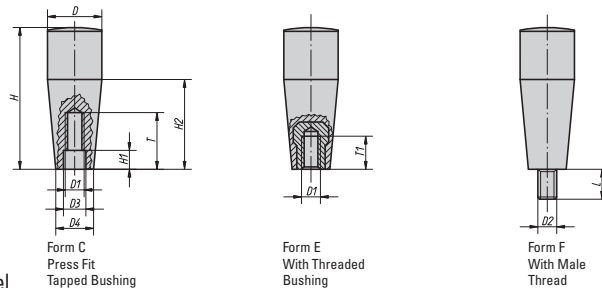


Machined in either steel or aluminum. Polished finish.

METRIC

Part # Steel	Part # Aluminum	D1 mm	D3 mm	D4 mm	D6 mm	L1 mm	L2 mm	L3 mm	L4 mm	SW mm
06308-0616055	06309-0616055	16	M6	10	14	49	11	5.5	5	3
06308-0820067	06309-0820067	20	M8	13	18	61	13	6	6	4
06308-1025083	06309-1025083	25	M10	16	21	75	14	8	6.5	5
06308-1232105	06309-1232105	32	M12	20	26	95	21	10.5	8	6
06308-1636117	06309-1636117	36	M16	22	29	106	26	11	9	8

Plastic | Fixed | Press Fit, Female and Male Threads | Metric



Made from black duroplast plastic. High polish finish. The collar and threads are galvanized steel.

METRIC

Part # Form C	Part # Form E	Part # Form F	D mm	D1 mm	D2 mm	D3 mm	D4 mm	H mm	H1 mm	H2 mm	T mm	T1 mm	L mm
—	06320-205**	—	17	M5	—	—	15	45	—	26	—	10	—
06320-106	06320-206**	06320-306	17	M6	M6	6.2	15	45	2	26	14	9	18
06320-108	—	—	17	M8	—	8.2	13	45	2	26	16	—	—
06320-1081	06320-208*	06320-308	23	M8	M8	8.5	18	60	8	38	24	14	12
—	06320-2081*	—	28	M8	—	—	21	70	—	42	—	14	—
06320-110	—	06320-310	29	M10	M10	10.5	21	70	10	42	28	—	20

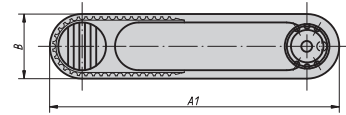
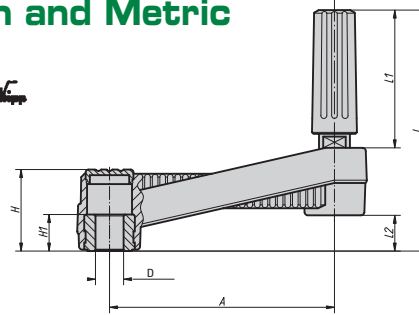
* Bushing is copper plated steel. ** Bushing is brass

CRANK HANDLES

Plastic | Revolving Handle | Inch and Metric



Novo-GRIP by



Made from dark grey thermoplastic. Steel parts are black oxidized. Hub cover is supplied to conceal shaft mounting.

INCH

Part #	A	A1	B	D	H	H1	L	L1	L2
06500-31CO	3.15	4.09	.94	.375	1.14	.51	3.37	1.93	.51
06500-32CO	3.94	5.08	1.14	.375	1.42	.51	4.13	2.34	.63
06500-32CP	3.94	5.08	1.14	.500	1.42	.51	4.13	2.34	.63
06500-33CP	4.92	6.34	1.42	.500	1.73	.73	5.51	3.29	.77

METRIC

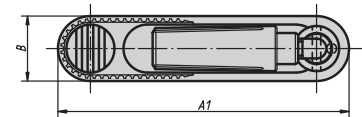
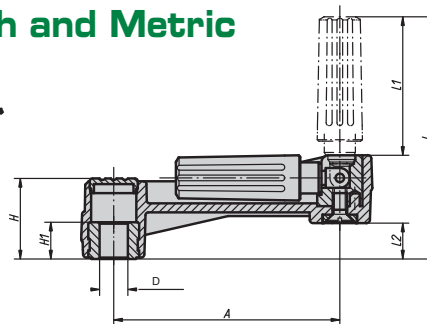
Part #	A mm	A1 mm	B mm	D mm	H mm	H1 mm	L mm	L1 mm	L2 mm
06500-3108	80	104	24	8	29	13	85.5	49	13
06500-3210	100	129	29	10	36	13	105	59.5	16
06500-3212	100	129	29	12	36	13	105	59.5	16
06500-3312	125	161	36	12	44	18.5	140	83.5	19.5

CRANK HANDLES

Plastic | Fold-Away Handle | Inch and Metric



Novo-GRIP by



Made from dark grey thermoplastic. Steel parts are black oxidized. Hub cover is supplied to conceal shaft mounting.

INCH

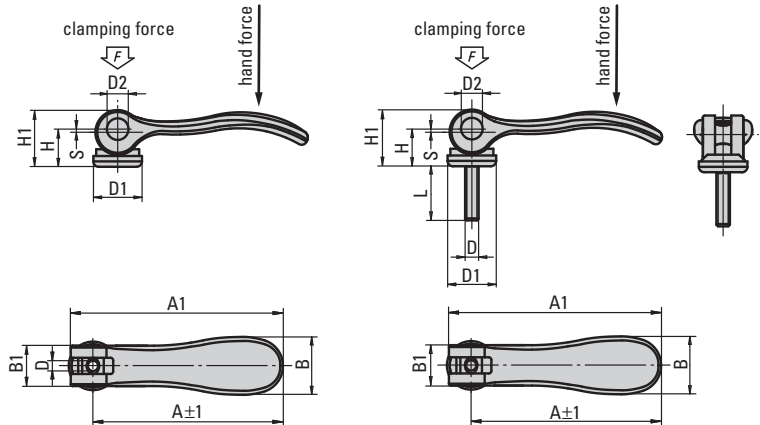
Part #	A	A1	B	D	H	H1	L	L1	L2
06500-11CO	3.15	4.09	.94	.375	1.14	.51	3.37	1.93	.51
06500-12CO	3.94	5.08	1.14	.375	1.42	.51	4.13	2.34	.63
06500-12CP	3.94	5.08	1.14	.500	1.42	.51	4.13	2.34	.63
06500-13CP	4.92	6.34	1.42	.500	1.73	.73	5.51	3.29	.77

METRIC

Part #	A mm	A1 mm	B mm	D mm	H mm	H1 mm	L mm	L1 mm	L2 mm
06500-1108	80	104	24	8	29	13	85.5	49	13
06500-1210	100	129	29	10	36	13	105	59.5	16
06500-1212	100	129	29	12	36	13	105	59.5	16
06500-1312	125	161	36	12	44	18.5	140	83.5	19.5

STANDARD CAM LEVERS

Male and Female Threads | Inch and Metric | Steel and Stainless Steel



These cam action lever fasteners allow for quick fastening and unfastening without the use of tools. They allow the user to tighten by threading like a traditional fastener however, for final tightening the cam lever is pushed downward. To unfasten, the cam lever is pulled up releasing clamping force and allowing the fastener to be unthreaded. They are ideal for quick change operations where parts only have to be loosened and not completely unassembled. The aluminum handles have a black powder coat finish. The steel studs have a blue chromate finish. The stainless handles have an electrolytic polish finish. The thrust washers are made from fiberglass reinforced plastic.

INCH - ALUMINUM HANDLE - STEEL COMPONENTS - FEMALE THREADS

Part #	D Thread	D1	D2	B	B1	H	H1	A	A1	Clamping Force Lbs.	Hand Force Lbs.	Throw S
04232-1011A1	10-32	.71	.35	.85	.59	.57	.87	2.77	3.12	899	27	.05
04232-1011A2	1/4-20	.71	.35	.85	.59	.57	.87	2.77	3.12	899	27	.05
04232-2011A3	5/16-18	1.06	.43	1.31	.94	.71	1.12	3.78	4.25	1,798	78	.06

INCH - ALUMINUM HANDLE - STAINLESS COMPONENTS - FEMALE THREADS

Part #	D Thread	D1	D2	B	B1	H	H1	A	A1	Clamping Force Lbs.	Hand Force Lbs.	Throw S
04232-1111A1	10-32	.71	.35	.85	.59	.57	.87	2.77	3.12	899	27	.05
04232-1111A2	1/4-20	.71	.35	.85	.59	.57	.87	2.77	3.12	899	27	.05
04232-2111A3	5/16-18	1.06	.43	1.31	.94	.71	1.12	3.78	4.25	1,798	78	.06

INCH - STAINLESS HANDLE - STAINLESS COMPONENTS - FEMALE THREADS

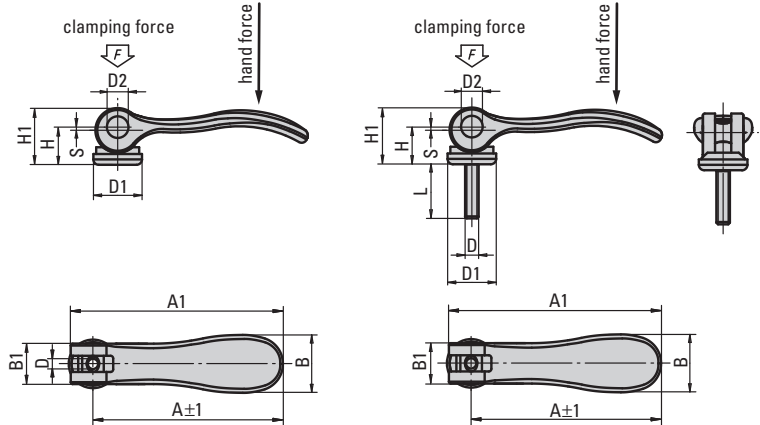
Part #	D Thread	D1	D2	B	B1	H	H1	A	A1	Clamping Force Lbs.	Hand Force Lbs.	Throw S
04232-1120A1	10-32	.71	.35	.85	.59	.57	.87	2.77	3.12	899	27	.05
04232-1120A2	1/4-20	.71	.35	.85	.59	.57	.87	2.77	3.12	899	27	.05
04232-2120A3	5/16-18	1.06	.43	1.31	.94	.71	1.12	3.78	4.25	1,798	78	.06

INCH - ALUMINUM HANDLE - STEEL COMPONENTS - MALE THREADS

Part #	D Thread	L	D1	D2	B	B1	H	H1	A	A1	Clamping Force Lbs.	Hand Force Lbs.	Throw S
04232-1011A1X20	10-32	.79	.71	.35	.85	.59	.57	.87	2.77	3.12	899	27	.05
04232-1011A1X30	10-32	1.18	.71	.35	.85	.59	.57	.87	2.77	3.12	899	27	.05
04232-1011A1X40	10-32	1.57	.71	.35	.85	.59	.57	.87	2.77	3.12	899	27	.05
04232-1011A1X50	10-32	1.97	.71	.35	.85	.59	.57	.87	2.77	3.12	899	27	.05
04232-1011A2X20	1/4-20	.79	.71	.35	.85	.59	.57	.87	2.77	3.12	899	27	.05
04232-1011A2X30	1/4-20	1.18	.71	.35	.85	.59	.57	.87	2.77	3.12	899	27	.05
04232-1011A2X40	1/4-20	1.57	.71	.35	.85	.59	.57	.87	2.77	3.12	899	27	.05
04232-1011A2X50	1/4-20	1.97	.71	.35	.85	.59	.57	.87	2.77	3.12	899	27	.05
04232-2011A3X25	5/16-18	.98	1.06	.43	1.31	.94	.71	1.12	3.78	4.25	1,798	78	.06
04232-2011A3X30	5/16-18	1.18	1.06	.43	1.31	.94	.71	1.12	3.78	4.25	1,798	78	.06
04232-2011A3X40	5/16-18	1.57	1.06	.43	1.31	.94	.71	1.12	3.78	4.25	1,798	78	.06
04232-2011A3X50	5/16-18	1.97	1.06	.43	1.31	.94	.71	1.12	3.78	4.25	1,798	78	.06
04232-2011A4X25	3/8-16	.98	1.06	.43	1.31	.94	.71	1.12	3.78	4.25	1,798	78	.06
04232-2011A4X30	3/8-16	1.18	1.06	.43	1.31	.94	.71	1.12	3.78	4.25	1,798	78	.06
04232-2011A4X40	3/8-16	1.57	1.06	.43	1.31	.94	.71	1.12	3.78	4.25	1,798	78	.06
04232-2011A4X50	3/8-16	1.97	1.06	.43	1.31	.94	.71	1.12	3.78	4.25	1,798	78	.06

STANDARD CAM LEVERS

Male and Female Threads | Inch and Metric | Steel and Stainless Steel (continued)



INCH - ALUMINUM HANDLE - STAINLESS COMPONENTS - MALE THREADS

Part #	D Thread	L	D1	D2	B	B1	H	H1	A	A1	Clamping Force Lbs.	Hand Force Lbs.	Throw S
04232-1111A1X20	10-32	.79	.71	.35	.85	.59	.57	.87	2.77	3.12	899	27	.05
04232-1111A1X30	10-32	1.18	.71	.35	.85	.59	.57	.87	2.77	3.12	899	27	.05
04232-1111A1X40	10-32	1.57	.71	.35	.85	.59	.57	.87	2.77	3.12	899	27	.05
04232-1111A1X50	10-32	1.97	.71	.35	.85	.59	.57	.87	2.77	3.12	899	27	.05
04232-1111A2X20	1/4-20	.79	.71	.35	.85	.59	.57	.87	2.77	3.12	899	27	.05
04232-1111A2X30	1/4-20	1.18	.71	.35	.85	.59	.57	.87	2.77	3.12	899	27	.05
04232-1111A2X40	1/4-20	1.57	.71	.35	.85	.59	.57	.87	2.77	3.12	899	27	.05
04232-1111A2X50	1/4-20	1.97	.71	.35	.85	.59	.57	.87	2.77	3.12	899	27	.05
04232-2111A3X25	5/16-18	.98	1.06	.43	1.31	.94	.71	1.12	3.78	4.25	1,798	78	.06
04232-2111A3X30	5/16-18	1.18	1.06	.43	1.31	.94	.71	1.12	3.78	4.25	1,798	78	.06
04232-2111A3X40	5/16-18	1.57	1.06	.43	1.31	.94	.71	1.12	3.78	4.25	1,798	78	.06
04232-2111A3X50	5/16-18	1.97	1.06	.43	1.31	.94	.71	1.12	3.78	4.25	1,798	78	.06
04232-2111A4X25	3/8-16	.98	1.06	.43	1.31	.94	.71	1.12	3.78	4.25	1,798	78	.06
04232-2111A4X30	3/8-16	1.18	1.06	.43	1.31	.94	.71	1.12	3.78	4.25	1,798	78	.06
04232-2111A4X40	3/8-16	1.57	1.06	.43	1.31	.94	.71	1.12	3.78	4.25	1,798	78	.06
04232-2111A4X50	3/8-16	1.97	1.06	.43	1.31	.94	.71	1.12	3.78	4.25	1,798	78	.06

METRIC - ALUMINUM HANDLE - STEEL COMPONENTS - FEMALE THREADS

Part #	D Thread	D1 mm	D2 mm	B mm	B1 mm	H mm	H1 mm	A mm	A1 mm	Clamping Force Lbs.	Hand Force Lbs.	Throw S mm
04232-101105	M5	18	9	21.5	15	14.5	22	70.4	79.2	899	27	1.2
04232-101106	M6	18	9	21.5	15	14.5	22	70.4	79.2	899	27	1.2
04232-201108	M8	27	11	33.2	24	18	28.5	96	108	1,798	78	1.5

METRIC - ALUMINUM HANDLE - STAINLESS COMPONENTS - FEMALE THREADS

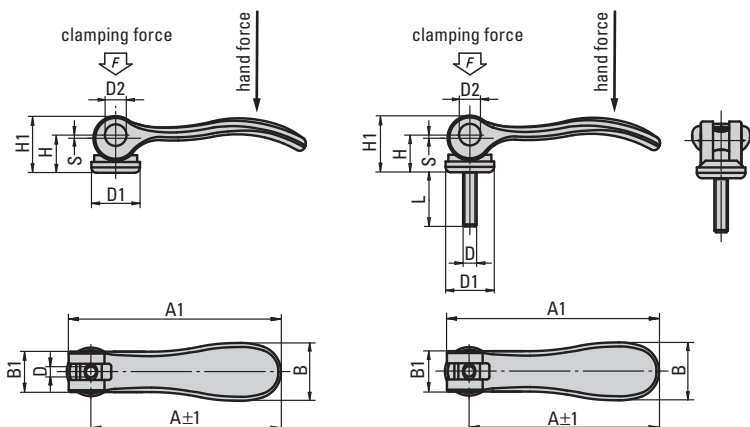
Part #	D Thread	D1 mm	D2 mm	B mm	B1 mm	H mm	H1 mm	A mm	A1 mm	Clamping Force Lbs.	Hand Force Lbs.	Throw S mm
04232-111105	M5	18	9	21.5	15	14.5	22	70.4	79.2	899	27	1.2
04232-111106	M6	18	9	21.5	15	14.5	22	70.4	79.2	899	27	1.2
04232-211108	M8	27	11	33.2	24	18	28.5	96	108	1,798	78	1.5

METRIC - STAINLESS HANDLE - STAINLESS COMPONENTS - FEMALE THREADS

Part #	D Thread	D1 mm	D2 mm	B mm	B1 mm	H mm	H1 mm	A mm	A1 mm	Clamping Force Lbs.	Hand Force Lbs.	Throw S mm
04232-112005	M5	18	9	21.5	15	14.5	22	70.4	79.2	899	27	1.2
04232-112006	M6	18	9	21.5	15	14.5	22	70.4	79.2	899	27	1.2
04232-212008	M8	27	11	33.2	24	18	28.5	96	108	1,798	78	1.5

STANDARD CAM LEVERS

Male and Female Threads | Inch and Metric | Steel and Stainless Steel (continued)



METRIC - ALUMINUM HANDLE - STEEL COMPONENTS - MALE THREADS

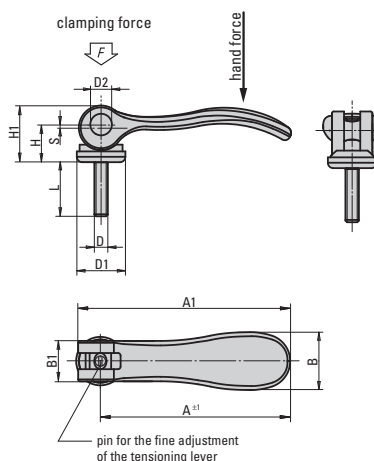
Part #	D Thread	L mm	D1 mm	D2 mm	B mm	B1 mm	H mm	H1 mm	A mm	A1 mm	Clamping Force Lbs.	Hand Force Lbs.	Throw S mm
04232-101105X20	M5	20	18	9	21.5	15	14.5	22	70.4	79.2	899	27	1.2
04232-101105X30	M5	30	18	9	21.5	15	14.5	22	70.4	79.2	899	27	1.2
04232-101105X40	M5	40	18	9	21.5	15	14.5	22	70.4	79.2	899	27	1.2
04232-101105X50	M5	50	18	9	21.5	15	14.5	22	70.4	79.2	899	27	1.2
04232-101106X20	M6	20	18	9	21.5	15	14.5	22	70.4	79.2	899	27	1.2
04232-101106X30	M6	30	18	9	21.5	15	14.5	22	70.4	79.2	899	27	1.2
04232-101106X40	M6	40	18	9	21.5	15	14.5	22	70.4	79.2	899	27	1.2
04232-101106X50	M6	50	18	9	21.5	15	14.5	22	70.4	79.2	899	27	1.2
04232-201108X25	M8	25	27	11	33.2	24	18	28.5	96	108	1,798	78	1.5
04232-201108X30	M8	30	27	11	33.2	24	18	28.5	96	108	1,798	78	1.5
04232-201108X40	M8	40	27	11	33.2	24	18	28.5	96	108	1,798	78	1.5
04232-201108X50	M8	50	27	11	33.2	24	18	28.5	96	108	1,798	78	1.5
04232-201110X25	M10	25	27	11	33.2	24	18	28.5	96	108	1,798	78	1.5
04232-201110X30	M10	30	27	11	33.2	24	18	28.5	96	108	1,798	78	1.5
04232-201110X40	M10	40	27	11	33.2	24	18	28.5	96	108	1,798	78	1.5
04232-201110X50	M10	50	27	11	33.2	24	18	28.5	96	108	1,798	78	1.5

METRIC - ALUMINUM HANDLE - STAINLESS COMPONENTS - MALE THREADS

Part #	D Thread	L mm	D1 mm	D2 mm	B mm	B1 mm	H mm	H1 mm	A mm	A1 mm	Clamping Force Lbs.	Hand Force Lbs.	Throw S mm
04232-111105X20	M5	20	18	9	21.5	15	14.5	22	70.4	79.2	899	27	1.2
04232-111105X30	M5	30	18	9	21.5	15	14.5	22	70.4	79.2	899	27	1.2
04232-111105X40	M5	40	18	9	21.5	15	14.5	22	70.4	79.2	899	27	1.2
04232-111105X50	M5	50	18	9	21.5	15	14.5	22	70.4	79.2	899	27	1.2
04232-111106X20	M6	20	18	9	21.5	15	14.5	22	70.4	79.2	899	27	1.2
04232-111106X30	M6	30	18	9	21.5	15	14.5	22	70.4	79.2	899	27	1.2
04232-111106X40	M6	40	18	9	21.5	15	14.5	22	70.4	79.2	899	27	1.2
04232-111106X50	M6	50	18	9	21.5	15	14.5	22	70.4	79.2	899	27	1.2
04232-211108X25	M8	25	27	11	33.2	24	18	28.5	96	108	1,798	78	1.5
04232-211108X30	M8	30	27	11	33.2	24	18	28.5	96	108	1,798	78	1.5
04232-211108X40	M8	40	27	11	33.2	24	18	28.5	96	108	1,798	78	1.5
04232-211108X50	M8	50	27	11	33.2	24	18	28.5	96	108	1,798	78	1.5
04232-211110X25	M10	25	27	11	33.2	24	18	28.5	96	108	1,798	78	1.5
04232-211110X30	M10	30	27	11	33.2	24	18	28.5	96	108	1,798	78	1.5
04232-211110X40	M10	40	27	11	33.2	24	18	28.5	96	108	1,798	78	1.5
04232-211110X50	M10	50	27	11	33.2	24	18	28.5	96	108	1,798	78	1.5

ADJUSTABLE CAM LEVERS

Male Threads | Inch and Metric | Steel and Stainless Steel



These cam action lever fasteners allow for quick fastening and unfastening without the use of tools. They allow the user to tighten by threading like a traditional fastener however, for final tightening the cam lever is pushed downward. To unfasten, the cam lever is pulled up releasing clamping force and allowing the fastener to be unthreaded. These adjustable cam levers feature a slot on the top of the stud to allow for fine adjustments of the tensioning lever, without having to rotate the handle. They are ideal for quick change operations where space may be limited or precise tension has to be applied. The aluminum handles have a black powder coat finish. The steel studs have a blue chromate finish. The stainless handles have an electrolytic polish finish. The thrust washers are made from fiberglass reinforced plastic.

INCH - ALUMINUM HANDLE - STEEL COMPONENTS - MALE THREADS

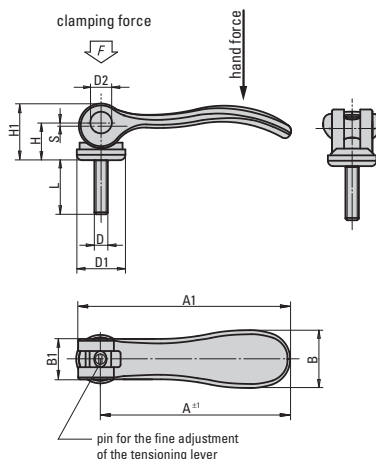
Part #	D Thread	L	D1	D2	B	B1	H	H1	A	A1	Clamping Force Lbs.	Hand Force Lbs.	Throw S
04233-1011A1X20	10-32	.79	.71	.35	.85	.59	.57	.87	2.77	3.12	899	27	.05
04233-1011A1X30	10-32	1.18	.71	.35	.85	.59	.57	.87	2.77	3.12	899	27	.05
04233-1011A1X40	10-32	1.57	.71	.35	.85	.59	.57	.87	2.77	3.12	899	27	.05
04233-1011A1X50	10-32	1.97	.71	.35	.85	.59	.57	.87	2.77	3.12	899	27	.05
04233-1011A2X20	1/4-20	.79	.71	.35	.85	.59	.57	.87	2.77	3.12	899	27	.05
04233-1011A2X30	1/4-20	1.18	.71	.35	.85	.59	.57	.87	2.77	3.12	899	27	.05
04233-1011A2X40	1/4-20	1.57	.71	.35	.85	.59	.57	.87	2.77	3.12	899	27	.05
04233-1011A2X50	1/4-20	1.97	.71	.35	.85	.59	.57	.87	2.77	3.12	899	27	.05
04233-2011A3X25	5/16-18	.98	1.06	.43	1.31	.94	.71	1.12	3.78	4.25	1,798	78	.06
04233-2011A3X30	5/16-18	1.18	1.06	.43	1.31	.94	.71	1.12	3.78	4.25	1,798	78	.06
04233-2011A3X40	5/16-18	1.57	1.06	.43	1.31	.94	.71	1.12	3.78	4.25	1,798	78	.06
04233-2011A3X50	5/16-18	1.97	1.06	.43	1.31	.94	.71	1.12	3.78	4.25	1,798	78	.06
04233-2011A4X25	3/8-16	.98	1.06	.43	1.31	.94	.71	1.12	3.78	4.25	1,798	78	.06
04233-2011A4X30	3/8-16	1.18	1.06	.43	1.31	.94	.71	1.12	3.78	4.25	1,798	78	.06
04233-2011A4X40	3/8-16	1.57	1.06	.43	1.31	.94	.71	1.12	3.78	4.25	1,798	78	.06
04233-2011A4X50	3/8-16	1.97	1.06	.43	1.31	.94	.71	1.12	3.78	4.25	1,798	78	.06

INCH - ALUMINUM HANDLE - STAINLESS COMPONENTS - MALE THREADS

Part #	D Thread	L	D1	D2	B	B1	H	H1	A	A1	Clamping Force Lbs.	Hand Force Lbs.	Throw S
04233-1111A1X20	10-32	.79	.71	.35	.85	.59	.57	.87	2.77	3.12	899	27	.05
04233-1111A1X30	10-32	1.18	.71	.35	.85	.59	.57	.87	2.77	3.12	899	27	.05
04233-1111A1X40	10-32	1.57	.71	.35	.85	.59	.57	.87	2.77	3.12	899	27	.05
04233-1111A1X50	10-32	1.97	.71	.35	.85	.59	.57	.87	2.77	3.12	899	27	.05
04233-1111A2X20	1/4-20	.79	.71	.35	.85	.59	.57	.87	2.77	3.12	899	27	.05
04233-1111A2X30	1/4-20	1.18	.71	.35	.85	.59	.57	.87	2.77	3.12	899	27	.05
04233-1111A2X40	1/4-20	1.57	.71	.35	.85	.59	.57	.87	2.77	3.12	899	27	.05
04233-1111A2X50	1/4-20	1.97	.71	.35	.85	.59	.57	.87	2.77	3.12	899	27	.05
04233-2111A3X25	5/16-18	.98	1.06	.43	1.31	.94	.71	1.12	3.78	4.25	1,798	78	.06
04233-2111A3X30	5/16-18	1.18	1.06	.43	1.31	.94	.71	1.12	3.78	4.25	1,798	78	.06
04233-2111A3X40	5/16-18	1.57	1.06	.43	1.31	.94	.71	1.12	3.78	4.25	1,798	78	.06
04233-2111A3X50	5/16-18	1.97	1.06	.43	1.31	.94	.71	1.12	3.78	4.25	1,798	78	.06
04233-2111A4X25	3/8-16	.98	1.06	.43	1.31	.94	.71	1.12	3.78	4.25	1,798	78	.06
04233-2111A4X30	3/8-16	1.18	1.06	.43	1.31	.94	.71	1.12	3.78	4.25	1,798	78	.06
04233-2111A4X40	3/8-16	1.57	1.06	.43	1.31	.94	.71	1.12	3.78	4.25	1,798	78	.06
04233-2111A4X50	3/8-16	1.97	1.06	.43	1.31	.94	.71	1.12	3.78	4.25	1,798	78	.06

ADJUSTABLE CAM LEVERS

Male Threads | Inch and Metric | Steel and Stainless Steel (continued)



INCH - STAINLESS HANDLE - STAINLESS COMPONENTS - MALE THREADS

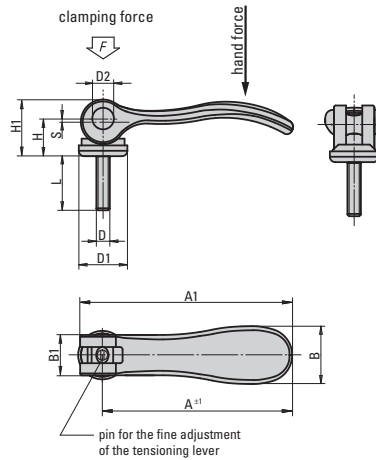
Part #	D Thread	L	D1	D2	B	B1	H	H1	A	A1	Clamping Force Lbs.	Hand Force Lbs.	Throw S
04233-1120A1X20	10-32	.79	.71	.35	.85	.59	.57	.87	2.77	3.12	899	27	.05
04233-1120A1X30	10-32	1.18	.71	.35	.85	.59	.57	.87	2.77	3.12	899	27	.05
04233-1120A1X40	10-32	1.57	.71	.35	.85	.59	.57	.87	2.77	3.12	899	27	.05
04233-1120A1X50	10-32	1.97	.71	.35	.85	.59	.57	.87	2.77	3.12	899	27	.05
04233-1120A2X20	1/4-20	.79	.71	.35	.85	.59	.57	.87	2.77	3.12	899	27	.05
04233-1120A2X30	1/4-20	1.18	.71	.35	.85	.59	.57	.87	2.77	3.12	899	27	.05
04233-1120A2X40	1/4-20	1.57	.71	.35	.85	.59	.57	.87	2.77	3.12	899	27	.05
04233-1120A2X50	1/4-20	1.97	.71	.35	.85	.59	.57	.87	2.77	3.12	899	27	.05
04233-2120A3X25	5/16-18	.98	1.06	.43	1.31	.94	.71	1.12	3.78	4.25	1,798	78	.06
04233-2120A3X30	5/16-18	1.18	1.06	.43	1.31	.94	.71	1.12	3.78	4.25	1,798	78	.06
04233-2120A3X40	5/16-18	1.57	1.06	.43	1.31	.94	.71	1.12	3.78	4.25	1,798	78	.06
04233-2120A3X50	5/16-18	1.97	1.06	.43	1.31	.94	.71	1.12	3.78	4.25	1,798	78	.06
04233-2120A4X25	3/8-16	.98	1.06	.43	1.31	.94	.71	1.12	3.78	4.25	1,798	78	.06
04233-2120A4X30	3/8-16	1.18	1.06	.43	1.31	.94	.71	1.12	3.78	4.25	1,798	78	.06
04233-2120A4X40	3/8-16	1.57	1.06	.43	1.31	.94	.71	1.12	3.78	4.25	1,798	78	.06
04233-2120A4X50	3/8-16	1.97	1.06	.43	1.31	.94	.71	1.12	3.78	4.25	1,798	78	.06

METRIC - ALUMINUM HANDLE - STEEL COMPONENTS - MALE THREADS

Part #	D Thread	L mm	D1 mm	D2 mm	B mm	B1 mm	H mm	H1 mm	A mm	A1 mm	Clamping Force Lbs.	Hand Force Lbs.	Throw S mm
04233-101105X20	M5	20	18	9	21.5	15	14.5	22	70.4	79.2	899	27	1.2
04233-101105X30	M5	30	18	9	21.5	15	14.5	22	70.4	79.2	899	27	1.2
04233-101105X40	M5	40	18	9	21.5	15	14.5	22	70.4	79.2	899	27	1.2
04233-101105X50	M5	50	18	9	21.5	15	14.5	22	70.4	79.2	899	27	1.2
04233-101106X20	M6	20	18	9	21.5	15	14.5	22	70.4	79.2	899	27	1.2
04233-101106X30	M6	30	18	9	21.5	15	14.5	22	70.4	79.2	899	27	1.2
04233-101106X40	M6	40	18	9	21.5	15	14.5	22	70.4	79.2	899	27	1.2
04233-101106X50	M6	50	18	9	21.5	15	14.5	22	70.4	79.2	899	27	1.2
04233-201108X25	M8	25	27	11	33.2	24	18	28.5	96	108	1,798	78	1.5
04233-201108X30	M8	30	27	11	33.2	24	18	28.5	96	108	1,798	78	1.5
04233-201108X40	M8	40	27	11	33.2	24	18	28.5	96	108	1,798	78	1.5
04233-201108X50	M8	50	27	11	33.2	24	18	28.5	96	108	1,798	78	1.5
04233-201110X25	M10	25	27	11	33.2	24	18	28.5	96	108	1,798	78	1.5
04233-201110X30	M10	30	27	11	33.2	24	18	28.5	96	108	1,798	78	1.5
04233-201110X40	M10	40	27	11	33.2	24	18	28.5	96	108	1,798	78	1.5
04233-201110X50	M10	50	27	11	33.2	24	18	28.5	96	108	1,798	78	1.5

ADJUSTABLE CAM LEVERS

Male Threads | Inch and Metric | Steel and Stainless Steel (continued)



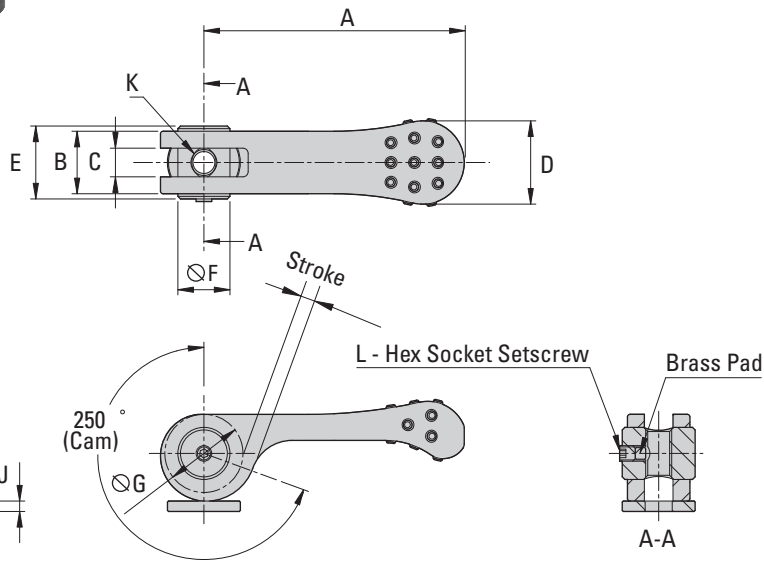
METRIC - ALUMINUM HANDLE - STAINLESS COMPONENTS - MALE THREADS

Part #	D Thread	L mm	D1 mm	D2 mm	B mm	B1 mm	H mm	H1 mm	A mm	A1 mm	Clamping Force Lbs.	Hand Force Lbs.	Throw S mm
04233-111105X20	M5	20	18	9	21.5	15	14.5	22	70.4	79.2	899	27	1.2
04233-111105X30	M5	30	18	9	21.5	15	14.5	22	70.4	79.2	899	27	1.2
04233-111105X40	M5	40	18	9	21.5	15	14.5	22	70.4	79.2	899	27	1.2
04233-111105X50	M5	50	18	9	21.5	15	14.5	22	70.4	79.2	899	27	1.2
04233-111106X20	M6	20	18	9	21.5	15	14.5	22	70.4	79.2	899	27	1.2
04233-111106X30	M6	30	18	9	21.5	15	14.5	22	70.4	79.2	899	27	1.2
04233-111106X40	M6	40	18	9	21.5	15	14.5	22	70.4	79.2	899	27	1.2
04233-111106X50	M6	50	18	9	21.5	15	14.5	22	70.4	79.2	899	27	1.2
04233-211108X25	M8	25	27	11	33.2	24	18	28.5	96	108	1,798	78	1.5
04233-211108X30	M8	30	27	11	33.2	24	18	28.5	96	108	1,798	78	1.5
04233-211108X40	M8	40	27	11	33.2	24	18	28.5	96	108	1,798	78	1.5
04233-211108X50	M8	50	27	11	33.2	24	18	28.5	96	108	1,798	78	1.5
04233-211110X25	M10	25	27	11	33.2	24	18	28.5	96	108	1,798	78	1.5
04233-211110X30	M10	30	27	11	33.2	24	18	28.5	96	108	1,798	78	1.5
04233-211110X40	M10	40	27	11	33.2	24	18	28.5	96	108	1,798	78	1.5
04233-211110X50	M10	50	27	11	33.2	24	18	28.5	96	108	1,798	78	1.5

METRIC - STAINLESS HANDLE - STAINLESS COMPONENTS - MALE THREADS

Part #	D Thread	L mm	D1 mm	D2 mm	B mm	B1 mm	H mm	H1 mm	A mm	A1 mm	Clamping Force Lbs.	Hand Force Lbs.	Throw S mm
04233-112005X20	M5	20	18	9	21.5	15	14.5	22	70.4	79.2	899	27	1.2
04233-112005X30	M5	30	18	9	21.5	15	14.5	22	70.4	79.2	899	27	1.2
04233-112005X40	M5	40	18	9	21.5	15	14.5	22	70.4	79.2	899	27	1.2
04233-112005X50	M5	50	18	9	21.5	15	14.5	22	70.4	79.2	899	27	1.2
04233-112006X20	M6	20	18	9	21.5	15	14.5	22	70.4	79.2	899	27	1.2
04233-112006X30	M6	30	18	9	21.5	15	14.5	22	70.4	79.2	899	27	1.2
04233-112006X40	M6	40	18	9	21.5	15	14.5	22	70.4	79.2	899	27	1.2
04233-112006X50	M6	50	18	9	21.5	15	14.5	22	70.4	79.2	899	27	1.2
04233-212008X25	M8	25	27	11	33.2	24	18	28.5	96	108	1,798	78	1.5
04233-212008X30	M8	30	27	11	33.2	24	18	28.5	96	108	1,798	78	1.5
04233-212008X40	M8	40	27	11	33.2	24	18	28.5	96	108	1,798	78	1.5
04233-212008X50	M8	50	27	11	33.2	24	18	28.5	96	108	1,798	78	1.5
04233-212010X25	M10	25	27	11	33.2	24	18	28.5	96	108	1,798	78	1.5
04233-212010X30	M10	30	27	11	33.2	24	18	28.5	96	108	1,798	78	1.5
04233-212010X40	M10	40	27	11	33.2	24	18	28.5	96	108	1,798	78	1.5
04233-212010X50	M10	50	27	11	33.2	24	18	28.5	96	108	1,798	78	1.5

CAM LEVERS - LOW PROFILE

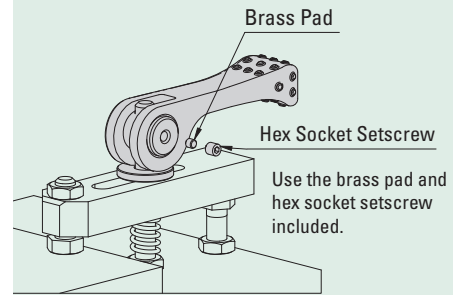


These cam handles allow for quick fastening and unfastening without the use of tools. They allow the user to tighten by threading like a traditional fastener however, for final tightening the cam lever is pushed downward. To unfasten, the cam lever is pulled up releasing clamping force and allowing the fastener to be unthreaded. They are ideal for quick change operations where parts only have to be loosened and not completely unassembled. The brass pad and hex socket set screw prevents the handle from backing off the thread. The lever is made from SAE-4140 alloy steel. The ring nut and washer is made from SAE-1045 alloy steel. Parts are heat treated with black oxide finish.

Part#	A mm	B mm	C mm	D mm	E mm	F mm	G mm	H mm	J mm	K mm	L mm	Stroke mm	Operating Load Lbs.*	Clamping Force Lbs.
QLCA-04	40	10	4.5	14	12	8	12	12	2	M4x0.7	M3x0.5 X 3	1.8	18	202
QLCA-05	50	12	5.5	16	14	10	15	14	2	M5x0.8	M3x0.5 X 3	2.3	22	292
QLCA-06	63	14	6.5	19	16	12	18	16	3	M6x1.0	M4x0.7 X 4	2.7	33	584
QLCA-08	80	18	9	24	20	15	22	20	3	M8x1.25	M4x0.7 X 4	3.3	45	899

* Allowable load to operate handle

How To Use



Application Example

